

STAINLESS METAL CRAFT

6 BROMLEY ROAD EMU PLAINS 2750
PHONE: (02) 4735 5666 FAX: (02) 4735 7950
E-MAIL info@smcstainless.com.au
www.smcstainless.com.au

THE STAINLESS STEEL PEOPLE

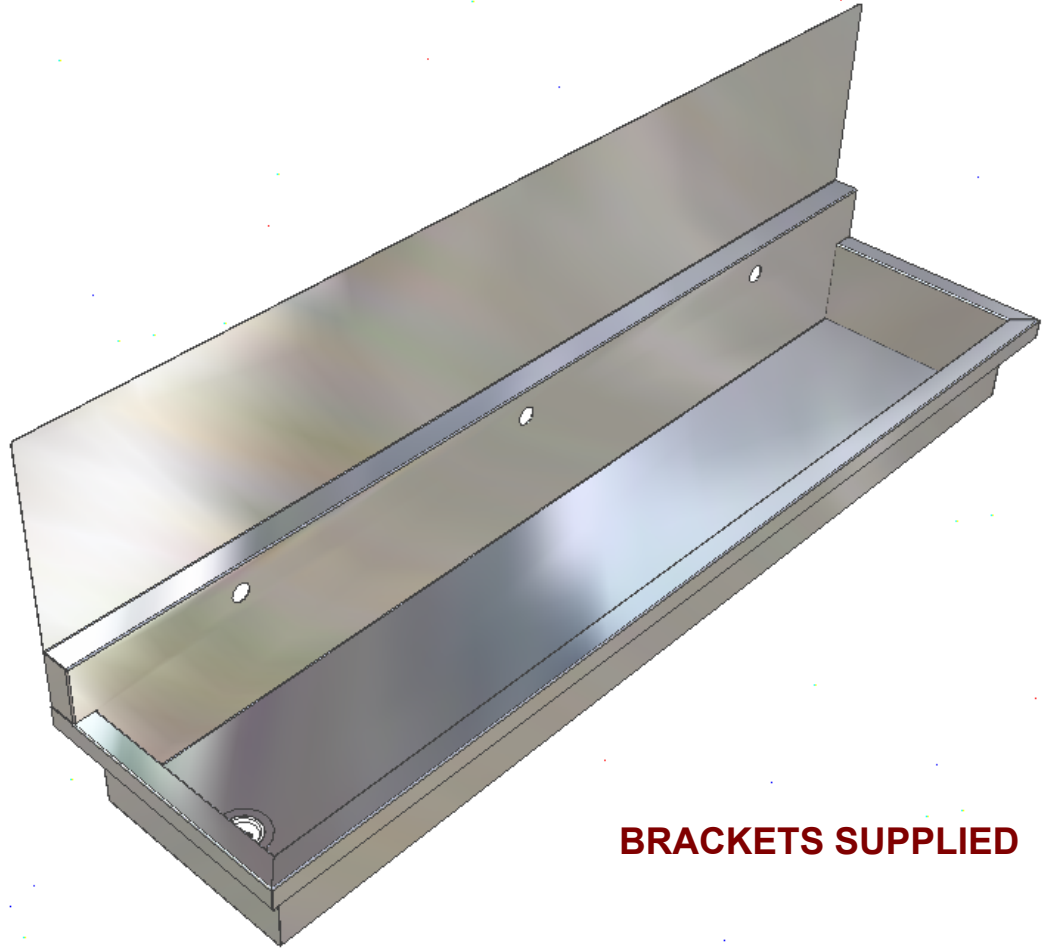
(SINCE 1962)

MATERIAL - GRADE 304 STAINLESS STEEL

ART TROUGH

OPTIONS

- * END OR CENTRE OUTLET
- * TAP HOLES
- * PRE - PLUMBED BY SMC WITH YOUR CHOICE OF TAPWARE



BRACKETS SUPPLIED

* TYPICAL USE
-- ART / CRAFT - PRACTICAL ACTIVITIES

* SCHOOLS - DISCHARGE WASTE THROUGH CLAY / PLASTER ARRESTOR MODEL: CA-1

DATA SHEET

ITEM: ART TROUGH

CODE: ART-1

DATE:

MARCH - 2003

REV:

C

PAGE No:

124

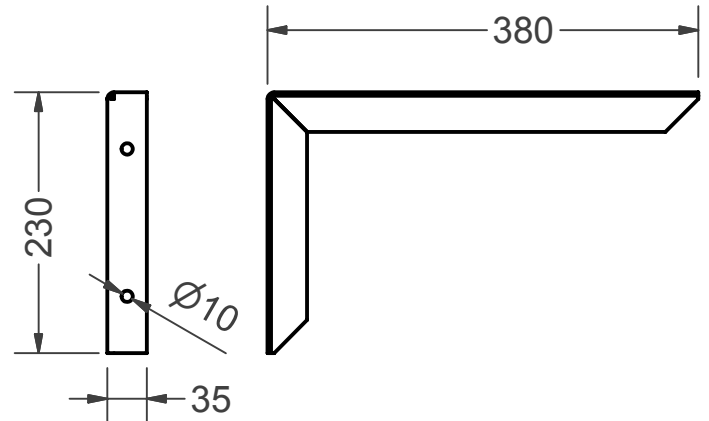
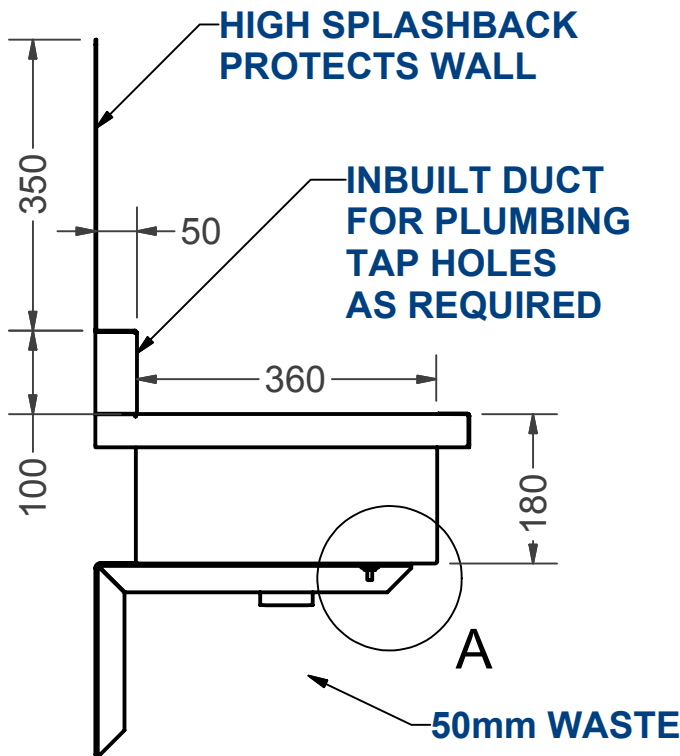
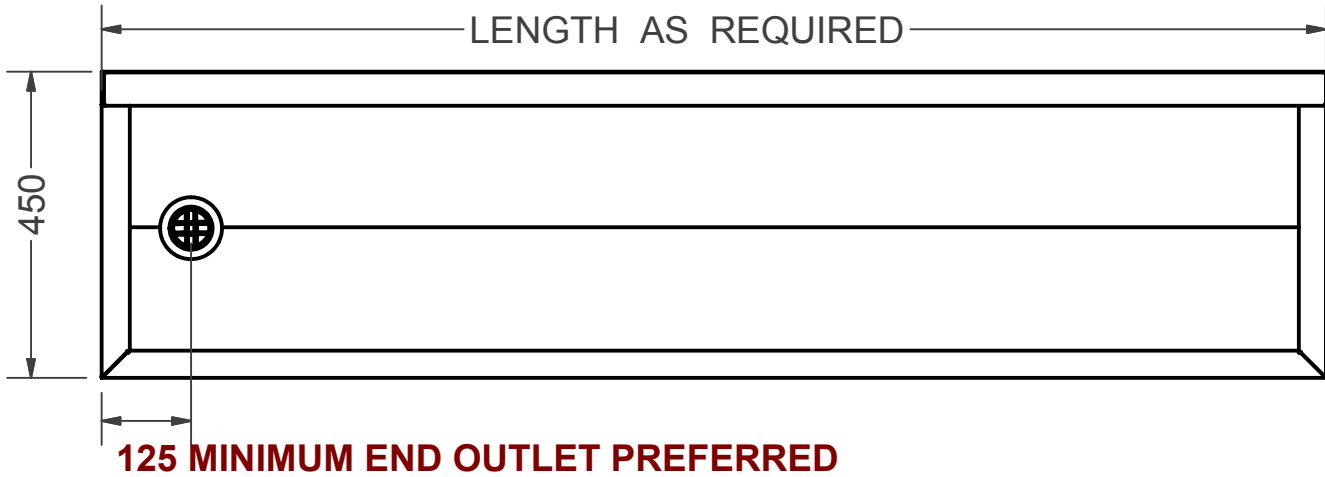
STAINLESS METAL CRAFT

6 BROMLEY ROAD EMU PLAINS 2750
 PHONE: (02) 4735 5666 FAX: (02) 4735 7950
 E-MAIL info@smcstainless.com.au
www.smcstainless.com.au

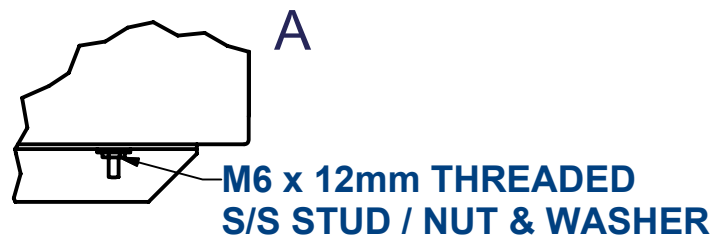
THE STAINLESS STEEL PEOPLE

(SINCE 1962)

MATERIAL - GRADE 304 STAINLESS STEEL



BRACKETS SUPPLIED
 MAX 1200mm SPACING



**SPECIFICATIONS -
 STAINLESS STEEL ART TROUGH
 SHALL BE MODEL ART-1 FROM
 STAINLESS METAL CRAFT
 PHONE: 02 4735 5666**

DATA SHEET

ITEM: ART TROUGH

CODE: ART-1

DATE:

MARCH - 2003

REV:

C

PAGE No:

124