

STAINLESS METAL CRAFT

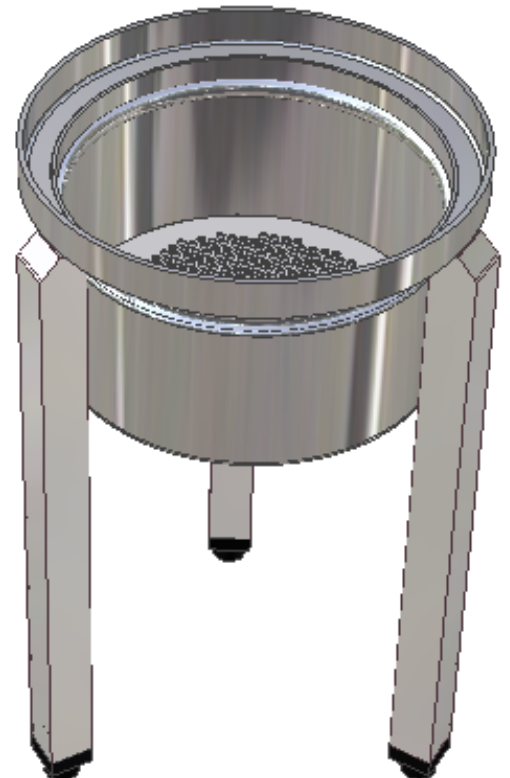
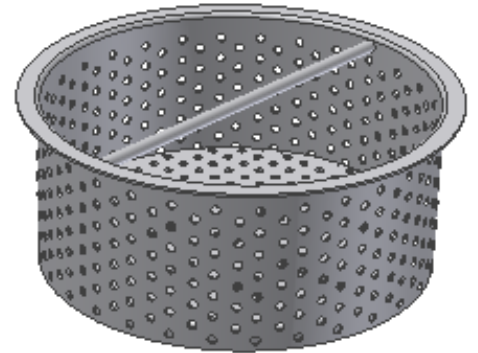
6 BROMLEY ROAD EMU PLAINS 2750
PHONE: (02) 4735 5666 FAX: (02) 4735 7950
E-MAIL info@smcstainless.com.au
www.smcstainless.com.au

THE STAINLESS STEEL PEOPLE

(SINCE 1962)

MATERIAL - GRADE 304 STAINLESS STEEL

ARRESTOR TRAP ON LEGS



OPTIONS

* MARINE GRADE 316

- * TYPICAL USE -
-- UNDER SINK DRAINAGE
- * FOOD PREPARATION AREAS
- * DESIGNED WITH A TWO PART
STRAINER TO MEET WATER AUTHORITY
REQUIREMENTS

DATA
SHEET

ITEM: ARRESTOR TRAP ON LEGS

CODE: AT-1-100S-US

DATE:
REV:

SEPTEMBER- 2003
C PAGE No: 16

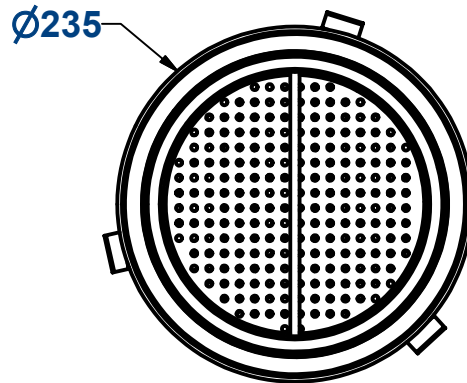
STAINLESS METAL CRAFT

6 BROMLEY ROAD EMU PLAINS 2750
PHONE: (02) 4735 5666 FAX: (02) 4735 7950
E-MAIL info@smcstainless.com.au
www.smcstainless.com.au

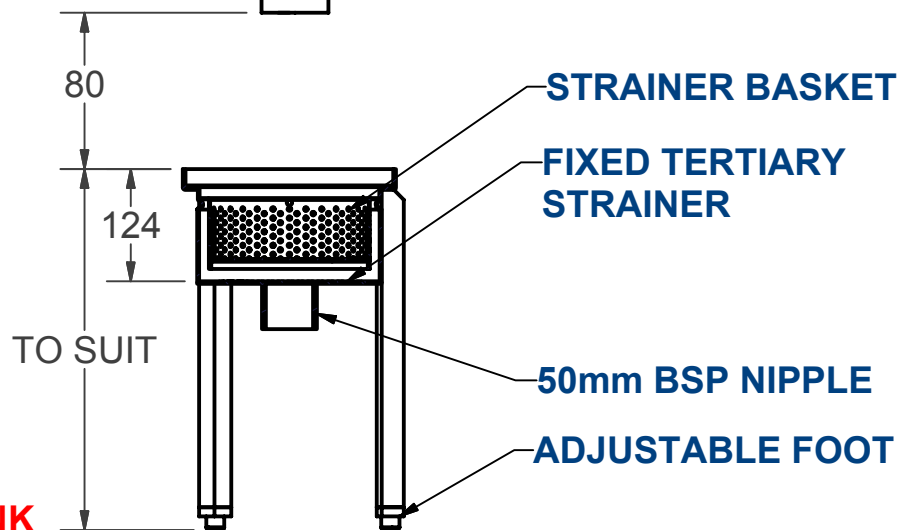
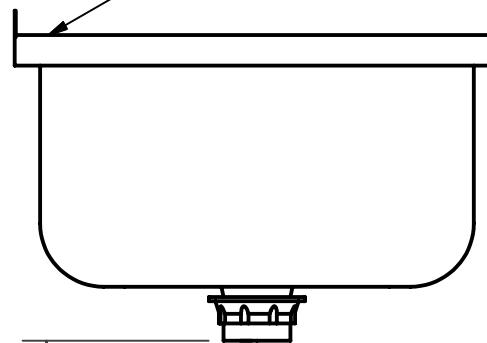
THE STAINLESS STEEL PEOPLE

(SINCE 1962)

MATERIAL - GRADE 304 STAINLESS STEEL



(SINK SHOWN FOR DISPLAY ONLY)



**SPECIFICATIONS -
STAINLESS STEEL UNDERSINK
ARRESTOR TRAP ON LEGS
SHALL BE MODEL AT-1-100S-US FROM
STAINLESS METAL CRAFT
PHONE: 02 4735 5666**

**DATA
SHEET**

ITEM: ARRESTOR TRAP ON LEGS

CODE: AT-1-100S-US

DATE:

SEPTEMBER- 2003

REV:

C

PAGE No:

16