

STAINLESS METAL CRAFT

6 BROMLEY ROAD EMU PLAINS 2750
PHONE: (02) 4735 5666 FAX: (02) 4735 7950
E-MAIL info@smcstainless.com.au
www.smcstainless.com.au

THE STAINLESS STEEL PEOPLE

(SINCE 1962)

MATERIAL - GRADE 304 STAINLESS STEEL

TRADE WASTE FLOOR SUMP

OPTIONS

- * MARINE GRADE 316
- * PUDDLE FLANGE
- * VINYL CLAMP RING
- * RUBBER O RING CONNECTION TO SUIT VARIOUS DRAINAGE SIZES
- * SILT BASKET AVAILABLE
- * ADDITIONAL DRAINAGE CONNECTIONS
- * WIRED IN BASKET FOR SECURITY
- * TYPICAL USE -
-- FLOOR DRAINAGE
- * FOOD PREPARATION AREAS
- * GARBAGE AREAS
- * DESIGNED WITH A THREE PART STRAINER TO MEET WATER AUTHORITY REQUIREMENTS



DATA SHEET

ITEM: TRADE WASTE FLOOR SUMP

CODE: AT-1

DATE:

AUGUST - 2003

REV:

C

PAGE No:

14

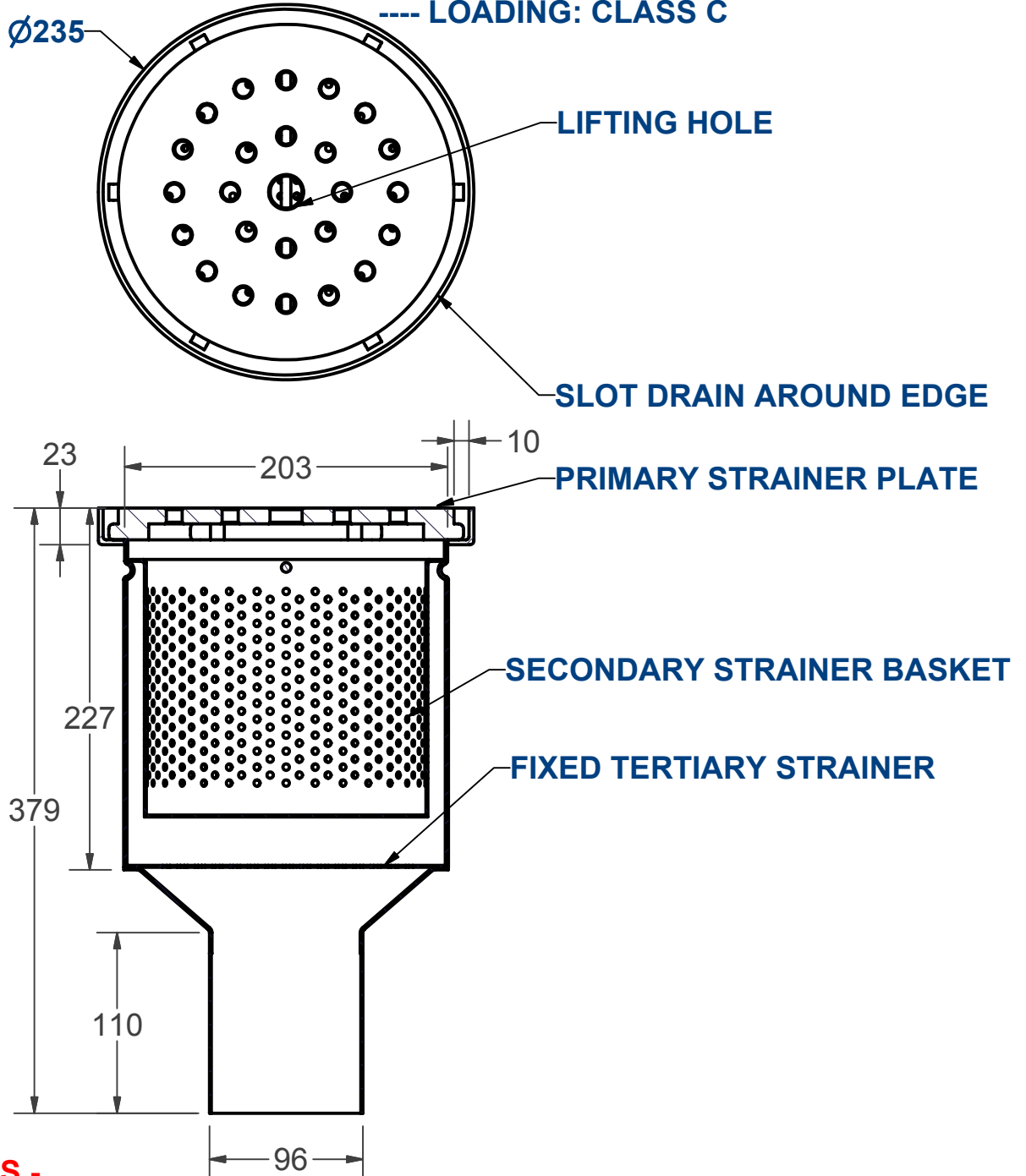
STAINLESS METAL CRAFT

6 BROMLEY ROAD EMU PLAINS 2750
 PHONE: (02) 4735 5666 FAX: (02) 4735 7950
 E-MAIL info@smcstainless.com.au
www.smcstainless.com.au

THE STAINLESS STEEL PEOPLE

(SINCE 1962)

MATERIAL - GRADE 304 STAINLESS STEEL
 ---- LOADING: CLASS C



**SPECIFICATIONS -
 STAINLESS STEEL TRADE WASTE FLOOR SUMP
 SHALL BE MODEL AT-1 FROM
 STAINLESS METAL CRAFT
 PHONE: 02 4735 5666**

**DATA
 SHEET**

ITEM: TRADE WASTE FLOOR SUMP

CODE: AT-1

DATE:

AUGUST - 2003

REV:

C

PAGE No:

14