

STAINLESS METAL CRAFT

6 BROMLEY ROAD EMU PLAINS 2750
PHONE: (02) 4735 5666 FAX: (02) 4735 7950
E-MAIL info@smcstainless.com.au
www.smcstainless.com.au

THE STAINLESS STEEL PEOPLE

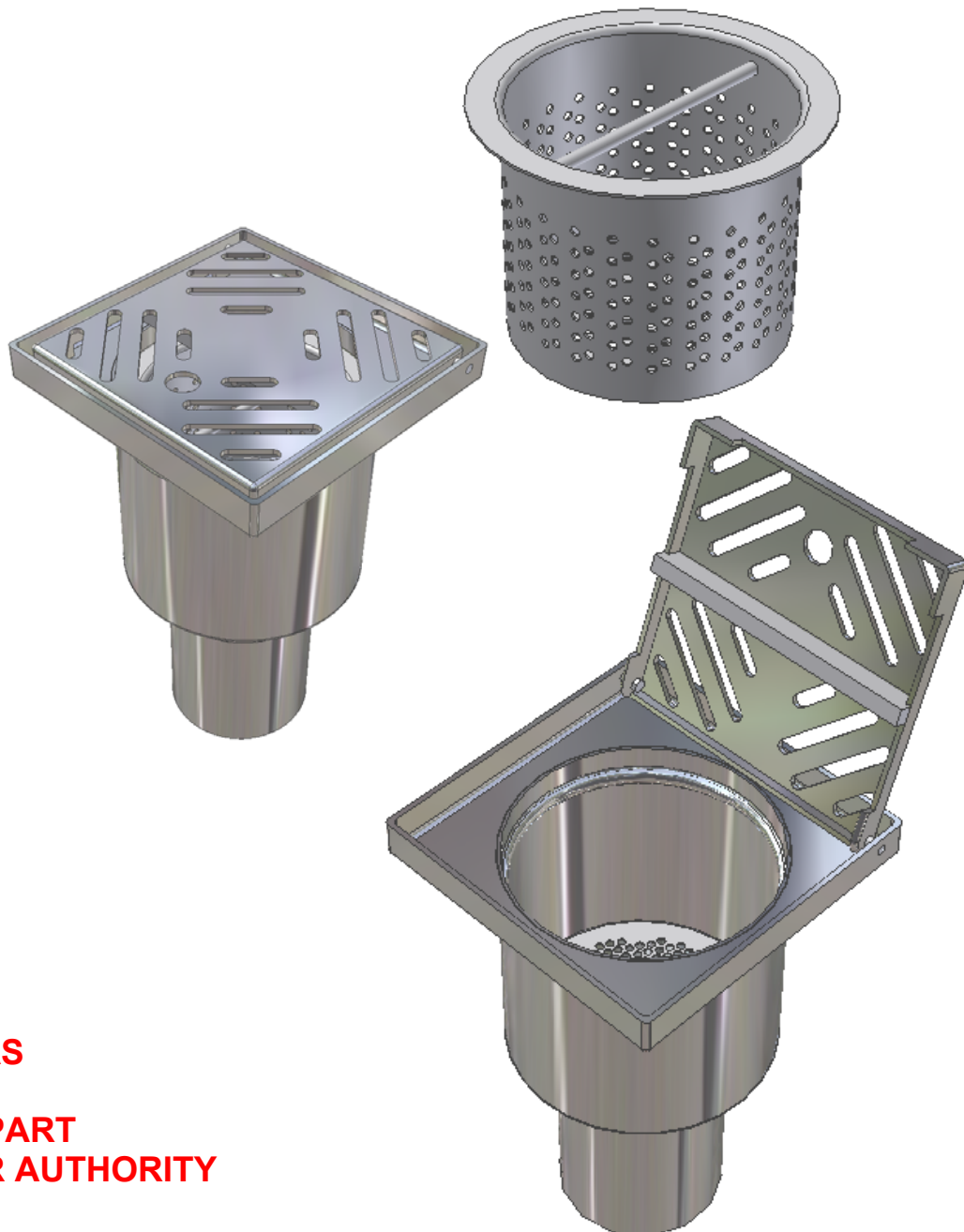
(SINCE 1962)

MATERIAL - GRADE 304 STAINLESS STEEL

TRADE WASTE FLOOR SUMP

OPTIONS

- * MARINE GRADE 316
- * PUDDLE FLANGE
- * VINYL CLAMP RING
- * RUBBER O RING CONNECTION TO SUIT VARIOUS DRAINAGE SIZES
- * SILT BASKET AVAILABLE
- * ADDITIONAL DRAINAGE CONNECTIONS
- * WIRED IN BASKET FOR SECURITY



- * **TYPICAL USE -**
-- FLOOR DRAINAGE
- * **FOOD PREPARATION AREAS**
- * **DESIGNED WITH A THREE PART STRAINER TO MEET WATER AUTHORITY REQUIREMENTS**

DATA SHEET

ITEM: TRADE WASTE FLOOR SUMP

CODE: AT-2-HST

DATE:

SEPTEMBER- 2003

REV:

C

PAGE No:

19

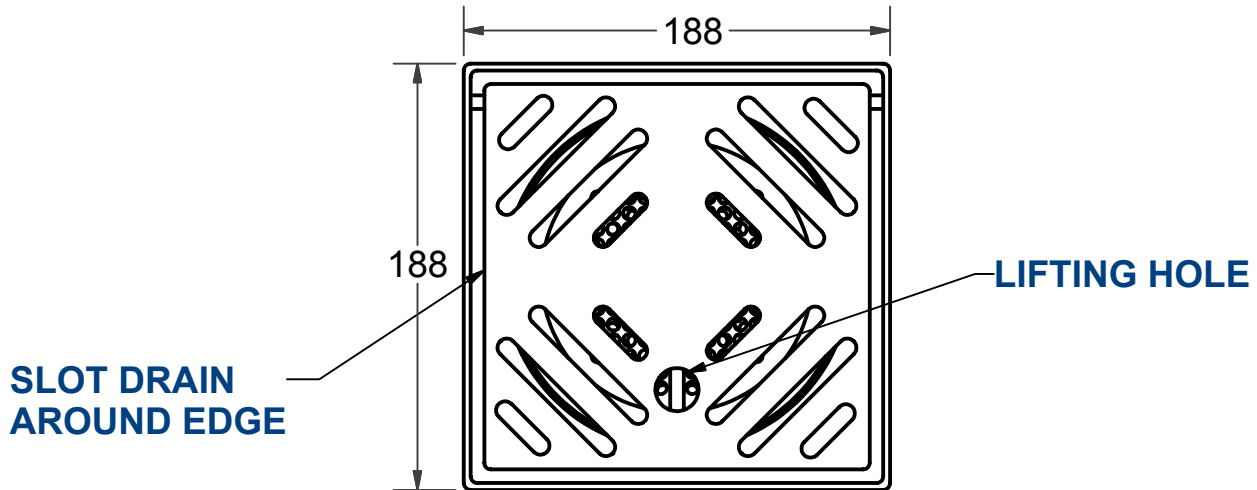
STAINLESS METAL CRAFT

6 BROMLEY ROAD EMU PLAINS 2750
 PHONE: (02) 4735 5666 FAX: (02) 4735 7950
 E-MAIL info@smcstainless.com.au
www.smcstainless.com.au

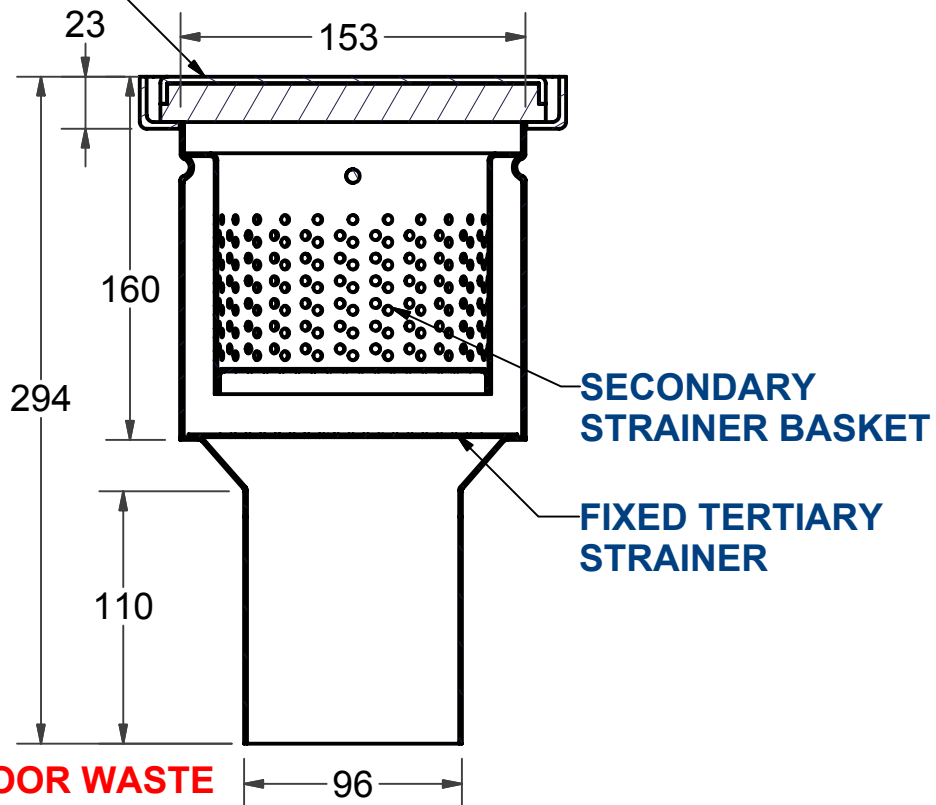
THE STAINLESS STEEL PEOPLE

(SINCE 1962)

MATERIAL - GRADE 304 STAINLESS STEEL
 ---- LOADING: CLASS B



PRIMARY STRAINER PLATE - HINGED



SPECIFICATIONS-
 STAINLESS STEEL FLOOR WASTE
 SHALL BE MODEL AT-2-HST FROM
 STAINLESS METAL CRAFT
 PHONE: 02 4735 5666

DATA SHEET

ITEM: TRADE WASTE FLOOR SUMP

CODE: AT-2-HST

DATE:

SEPTEMBER-2003

REV:

C

PAGE No:

19