

# STAINLESS METAL CRAFT

6 BROMLEY ROAD EMU PLAINS 2750  
PHONE: (02) 4735 5666 FAX: (02) 4735 7950  
E-MAIL [info@smcstainless.com.au](mailto:info@smcstainless.com.au)  
[www.smcstainless.com.au](http://www.smcstainless.com.au)

THE STAINLESS STEEL PEOPLE

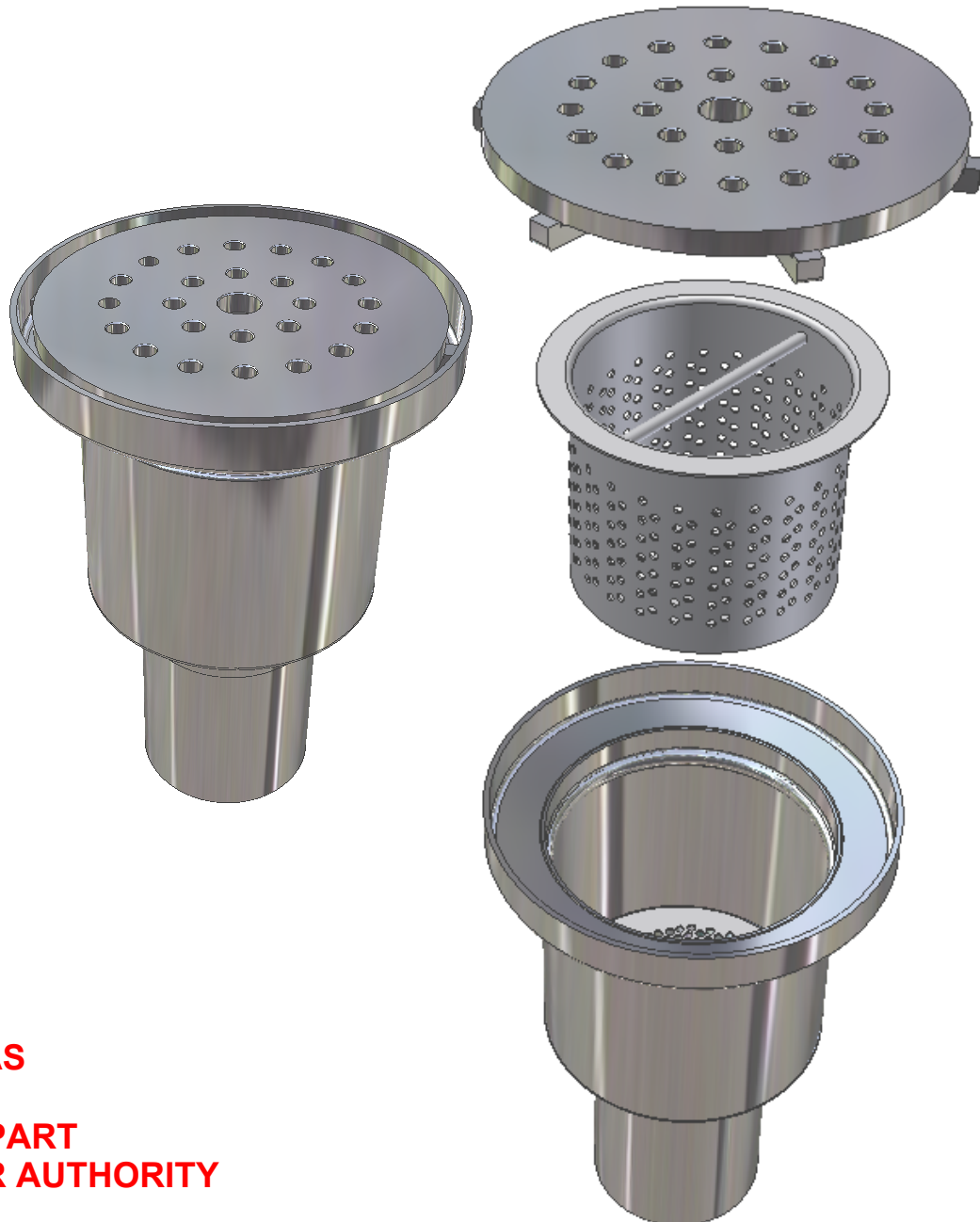
(SINCE 1962)

MATERIAL - GRADE 304 STAINLESS STEEL

## TRADE WASTE FLOOR SUMP

### OPTIONS

- \* MARINE GRADE 316
- \* PUDDLE FLANGE
- \* VINYL CLAMP RING
- \* RUBBER O RING CONNECTION TO SUIT VARIOUS DRAINAGE SIZES
- \* SILT BASKET AVAILABLE
- \* ADDITIONAL DRAINAGE CONNECTIONS
- \* WIRED IN BASKET FOR SECURITY



\* TYPICAL USE -  
-- FLOOR DRAINAGE

\* FOOD PREPARATION AREAS

\* DESIGNED WITH A THREE PART STRAINER TO MEET WATER AUTHORITY REQUIREMENTS

**DATA SHEET**

**ITEM: TRADE WASTE FLOOR SUMP**

**CODE: AT-2**

**DATE:**

**SEPTEMBER- 2003**

**REV:**

**C**

**PAGE No:**

**18**

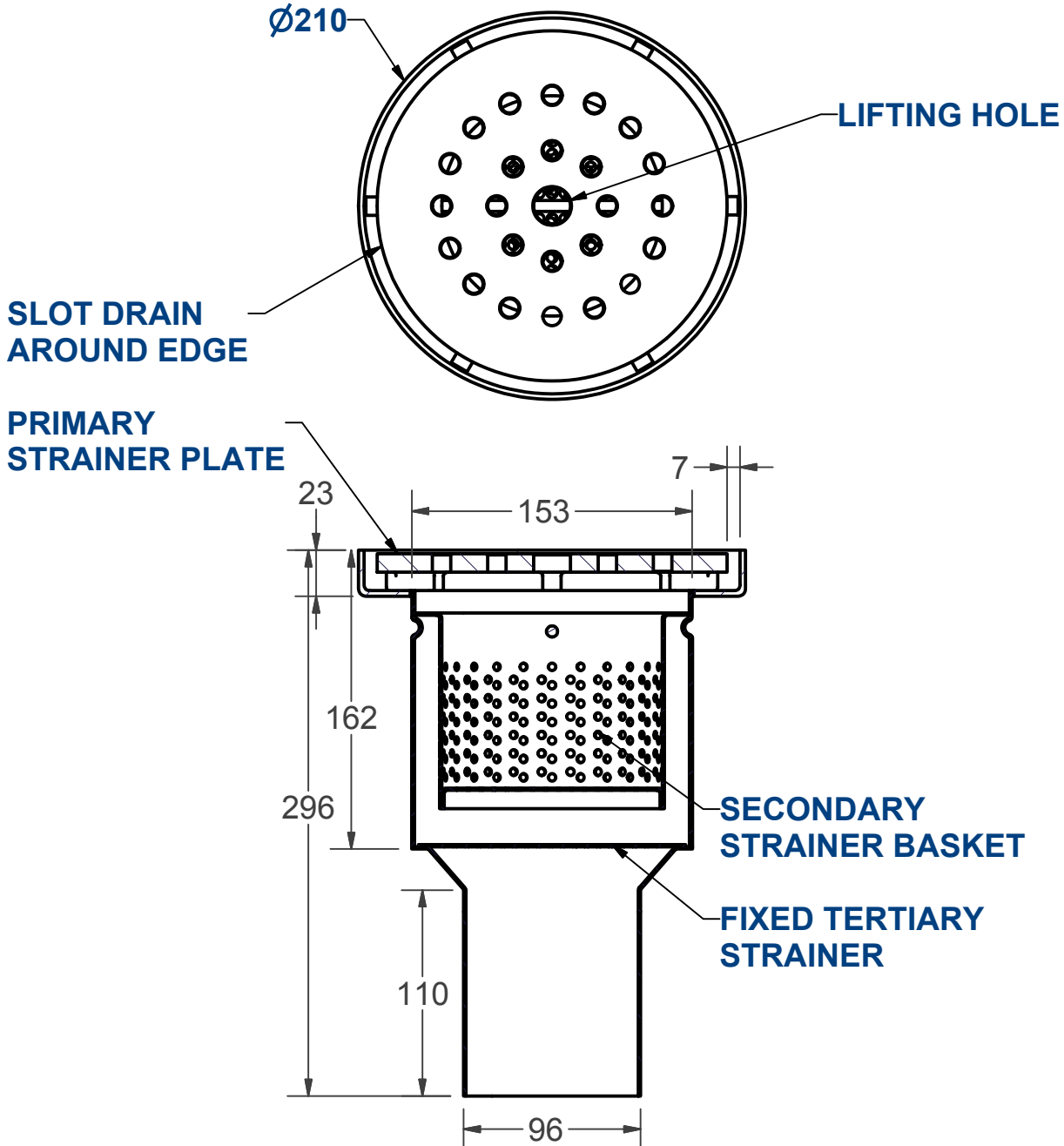
# STAINLESS METAL CRAFT

6 BROMLEY ROAD EMU PLAINS 2750  
PHONE: (02) 4735 5666 FAX: (02) 4735 7950  
E-MAIL [info@smcstainless.com.au](mailto:info@smcstainless.com.au)  
[www.smcstainless.com.au](http://www.smcstainless.com.au)

THE STAINLESS STEEL PEOPLE

(SINCE 1962)

MATERIAL - GRADE 304 STAINLESS STEEL  
---- LOADING: CLASS C



**SPECIFICATIONS -  
STAINLESS STEEL FLOOR WASTE  
SHALL BE MODEL AT-2 FROM  
STAINLESS METAL CRAFT  
PHONE: 02 4735 5666**

**DATA  
SHEET**

**ITEM: TRADE WASTE FLOOR SUMP**

**CODE: AT-2**

**DATE:**

**SEPTEMBER- 2003**

**REV:**

**C**

**PAGE No:**

**18**