

STAINLESS METAL CRAFT

6 BROMLEY ROAD EMU PLAINS 2750
PHONE: (02) 4735 5666 FAX: (02) 4735 7950
E-MAIL info@smcstainless.com.au
www.smcstainless.com.au

THE STAINLESS STEEL PEOPLE

(SINCE 1962)

MATERIAL - GRADE 304 STAINLESS STEEL

TRADE WASTE FLOOR SUMP

OPTIONS

- * MARINE GRADE 316
 - * PUDDLE FLANGE
 - * VINYL CLAMP RING
 - * RUBBER O RING CONNECTION TO SUIT VARIOUS DRAINAGE SIZES
 - * SILT BASKET AVAILABLE
 - * ADDITIONAL DRAINAGE CONNECTIONS
 - * WIRED IN BASKET FOR SECURITY
- * TYPICAL USE -
-- FLOOR DRAINAGE
- * FOOD PREPARATION AREAS
- * SUITABLE FOR RETROFIT
- * DESIGNED WITH A THREE PART STRAINER TO MEET WATER AUTHORITY REQUIREMENTS



DATA SHEET

ITEM: TRADE WASTE FLOOR SUMP

CODE: AT-5-ST

DATE:

SEPTEMBER- 2003

REV:

C

PAGE No:

20

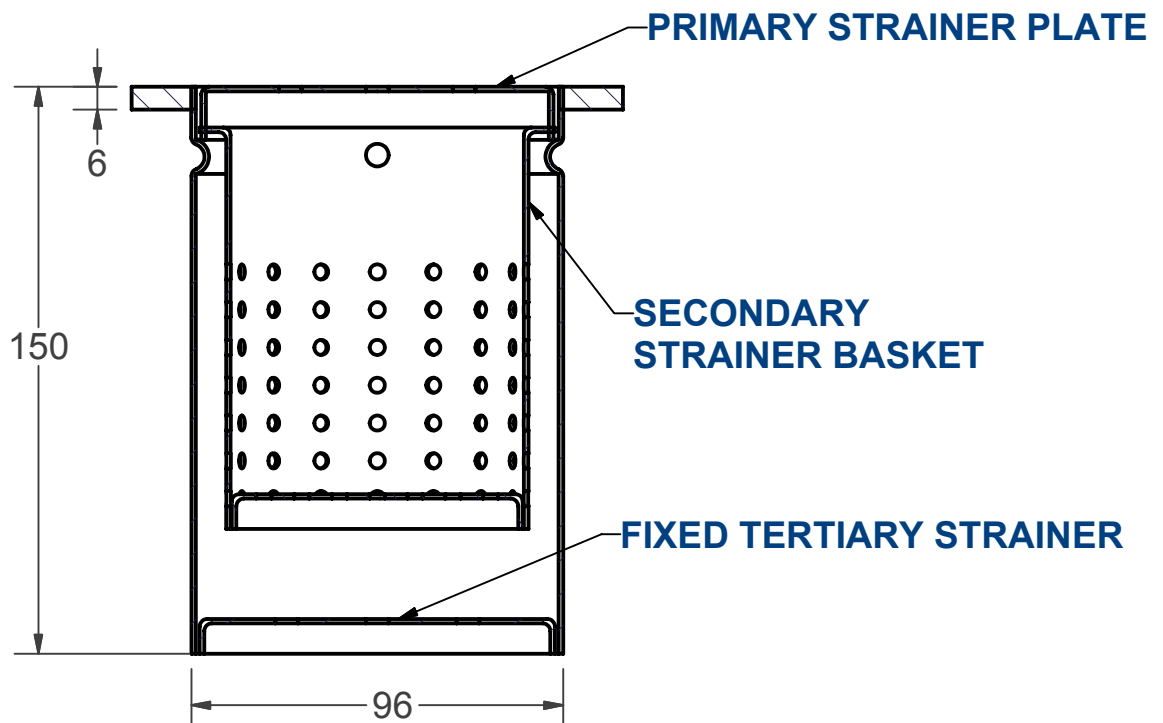
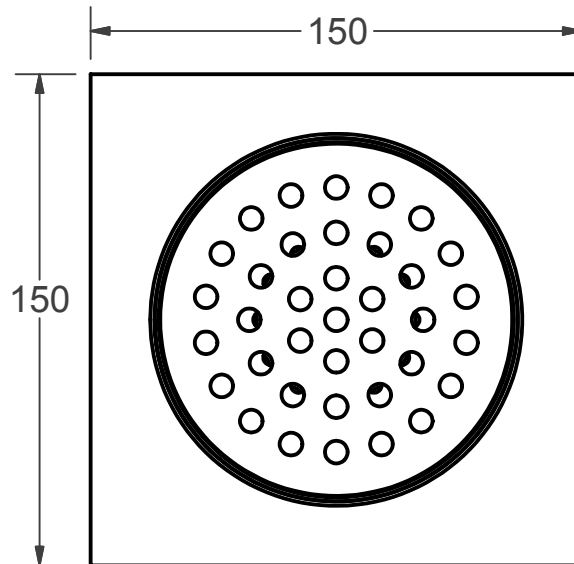
STAINLESS METAL CRAFT

6 BROMLEY ROAD EMU PLAINS 2750
PHONE: (02) 4735 5666 FAX: (02) 4735 7950
E-MAIL info@smcstainless.com.au
www.smcstainless.com.au

THE STAINLESS STEEL PEOPLE

(SINCE 1962)

MATERIAL - GRADE 304 STAINLESS STEEL
---- LOADING: CLASS A



**SPECIFICATIONS -
STAINLESS STEEL FLOOR WASTE
SHALL BE MODEL AT-5-ST FROM
STAINLESS METAL CRAFT
PHONE: 02 4735 5666**

**DATA
SHEET**

ITEM: TRADE WASTE FLOOR SUMP

CODE: AT-5-ST

DATE:

SEPTEMBER- 2003

REV:

C

PAGE No:

20