

STAINLESS METAL CRAFT

6 BROMLEY ROAD EMU PLAINS 2750
PHONE: (02) 4735 5666 FAX: (02) 4735 7950
E-MAIL info@smcstainless.com.au
www.smcstainless.com.au

THE STAINLESS STEEL PEOPLE

(SINCE 1962)

MATERIAL - GRADE 304 STAINLESS STEEL

TRADE WASTE FLOOR SUMP FOR VINYL FLOOR

OPTIONS

- * MARINE GRADE 316
- * PUDDLE FLANGE
- * RUBBER O RING CONNECTION TO SUIT VARIOUS DRAINAGE SIZES
- * SILT BASKET AVAILABLE
- * ADDITIONAL DRAINAGE CONNECTIONS
- * WIRED IN BASKET FOR SECURITY

* **TYPICAL USE -**
-- FLOOR DRAINAGE
FOR VINYL FLOORS

* **FOOD PREPARATION AREAS**

* **SUITABLE FOR RETROFIT**

* **DESIGNED WITH A THREE PART
STRAINER TO MEET WATER AUTHORITY
REQUIREMENTS**



**DATA
SHEET**

ITEM: TRADE WASTE FLOOR SUMP

CODE: AT-5-VCR

DATE:

OCTOBER- 2003

REV:

C

PAGE No:

23

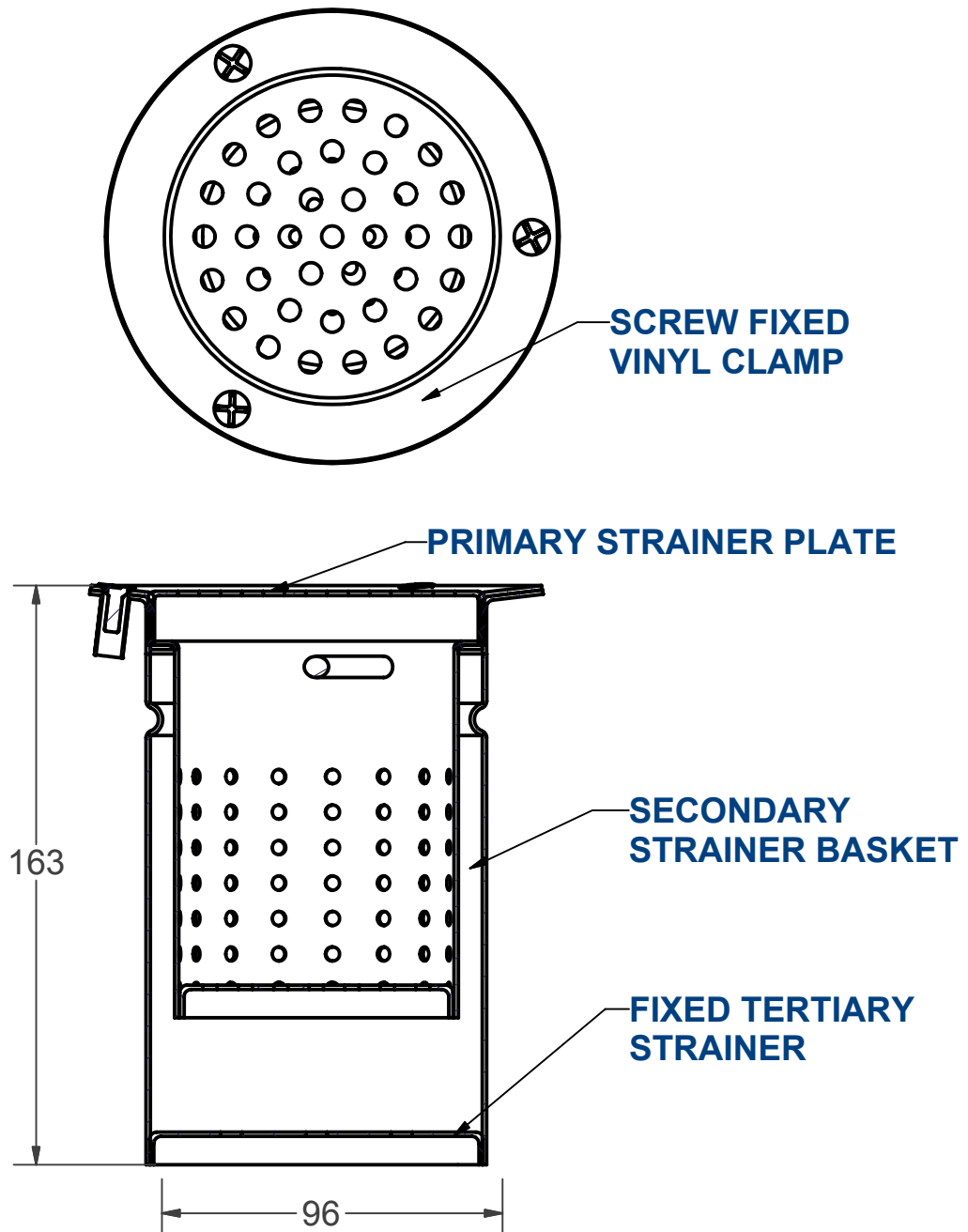
STAINLESS METAL CRAFT

6 BROMLEY ROAD EMU PLAINS 2750
PHONE: (02) 4735 5666 FAX: (02) 4735 7950
E-MAIL info@smcstainless.com.au
www.smcstainless.com.au

THE STAINLESS STEEL PEOPLE

(SINCE 1962)

MATERIAL - GRADE 304 STAINLESS STEEL
---- LOADING: CLASS A



SPECIFICATIONS-
STAINLESS STEEL FLOOR WASTE
SHALL BE MODEL AT-5-VCR FROM
STAINLESS METAL CRAFT
PHONE: 02 4735 5666

**DATA
SHEET**

ITEM: TRADE WASTE FLOOR SUMP

CODE: AT-5-VCR

DATE:

OCTOBER- 2003

REV:

C

PAGE No:

23