

STAINLESS METAL CRAFT

6 BROMLEY ROAD EMU PLAINS 2750
PHONE: (02) 4735 5666 FAX: (02) 4735 7950
E-MAIL info@smcstainless.com.au
www.smcstainless.com.au

THE STAINLESS STEEL PEOPLE

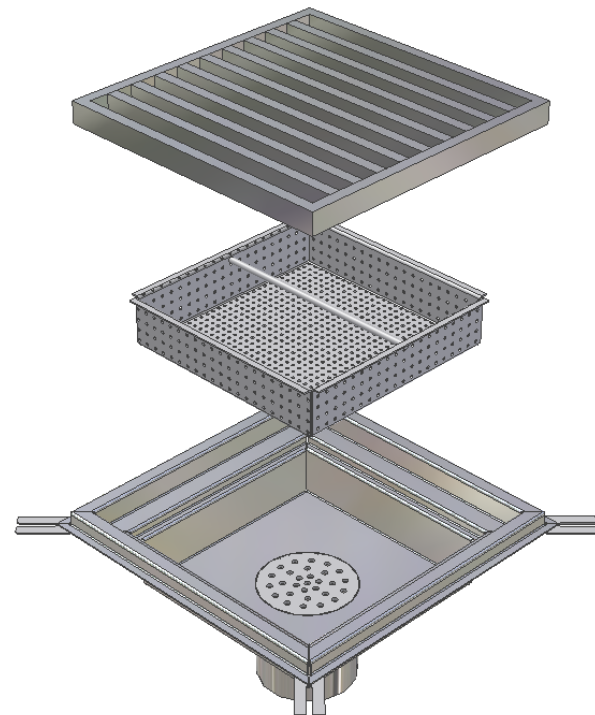
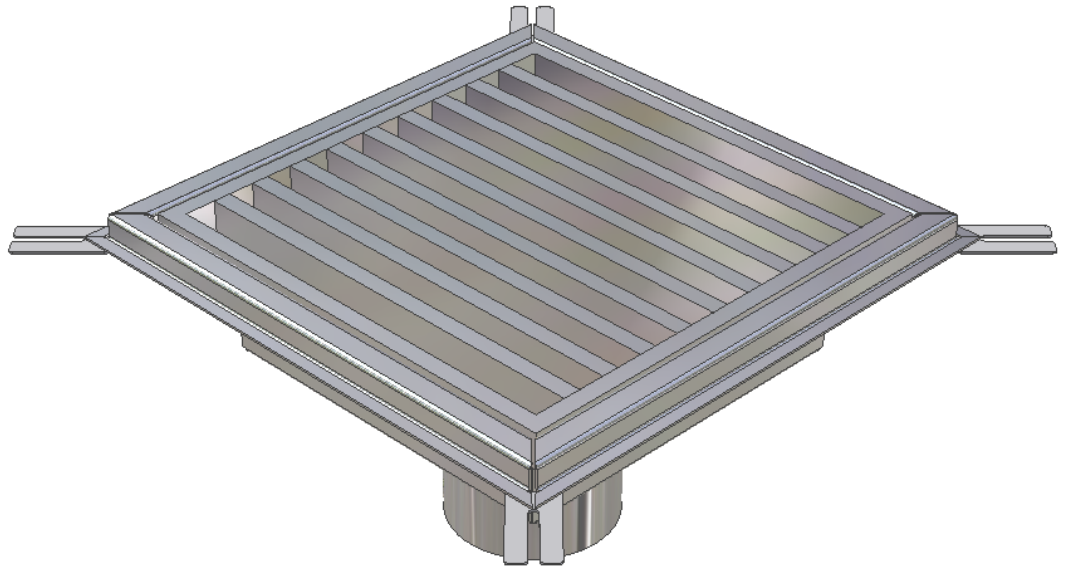
(SINCE 1962)

MATERIAL - GRADE 304 STAINLESS STEEL

TRADE WASTE FLOOR SUMP

OPTIONS

- * MARINE GRADE 316
- * PUDDLE FLANGE
- * VINYL CLAMP
- * RUBBER O RING CONNECTION TO SUIT VARIOUS DRAINAGE SIZES
- * SILT BASKET AVAILABLE



* TYPICAL USE -
-- FLOOR DRAINAGE

* FOOD PREPARATION AREAS

* DESIGNED WITH A THREE PART STRAINER TO MEET WATER AUTHORITY REQUIREMENTS

DATA SHEET

ITEM: TRADE WASTE FLOOR SUMP

CODE: AT-6-XHD

DATE:

OCTOBER- 2003

REV:

C

PAGE No:

25

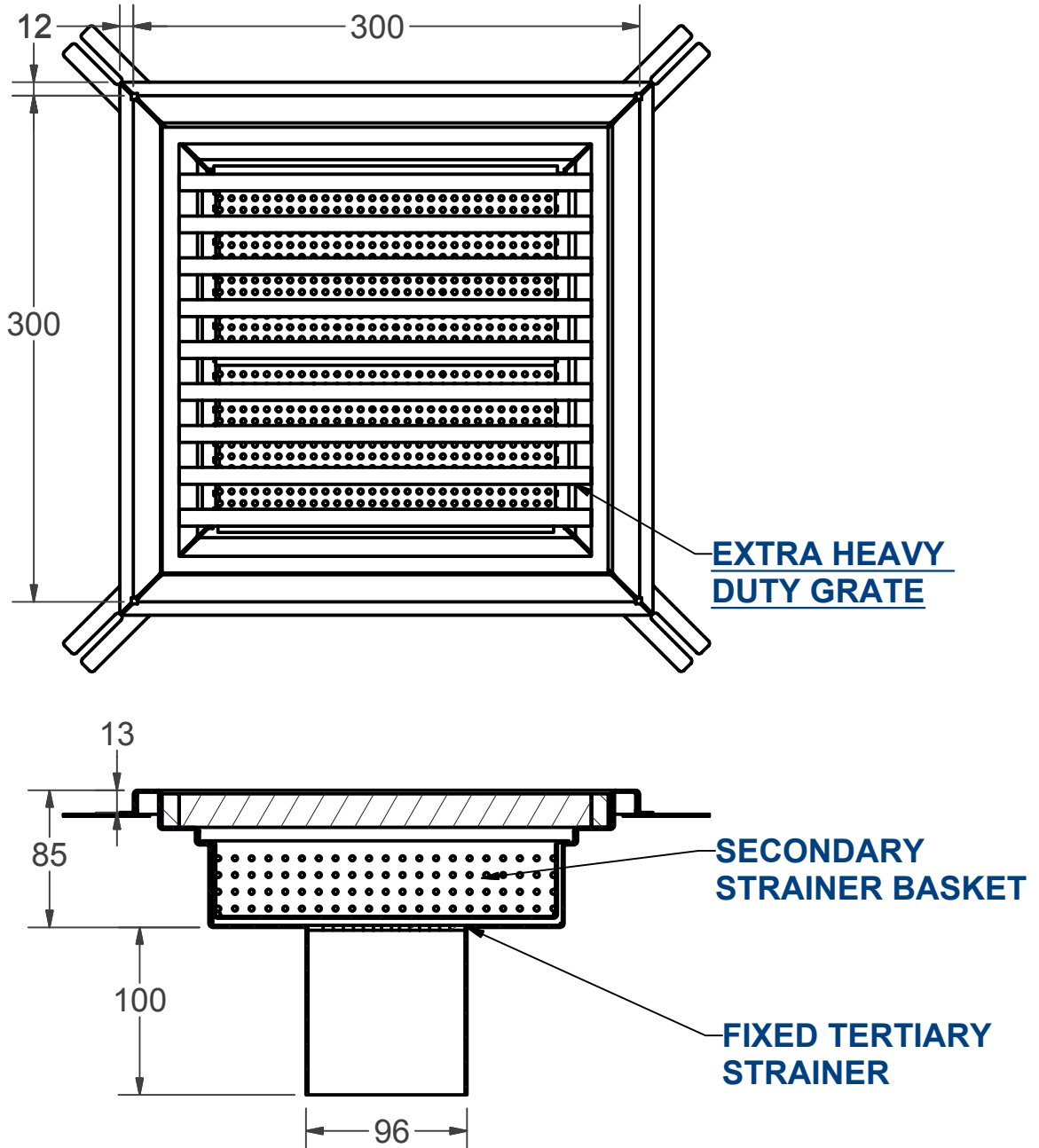
STAINLESS METAL CRAFT

6 BROMLEY ROAD EMU PLAINS 2750
 PHONE: (02) 4735 5666 FAX: (02) 4735 7950
 E-MAIL info@smcstainless.com.au
www.smcstainless.com.au

THE STAINLESS STEEL PEOPLE

(SINCE 1962)

MATERIAL - GRADE 304 STAINLESS STEEL
 ---- LOADING: CLASS C



SPECIFICATIONS -
STAINLESS STEEL FLOOR SUMP
SHALL BE MODEL AT-6-XHD FROM
STAINLESS METAL CRAFT
PHONE: 02 4735 5666

DATA SHEET

ITEM: TRADE WASTE FLOOR SUMP

CODE: AT-6-XHD

DATE:

OCTOBER- 2003

REV:

C

PAGE No:

25