

STAINLESS METAL CRAFT

6 BROMLEY ROAD EMU PLAINS 2750
PHONE: (02) 4735 5666 FAX: (02) 4735 7950
E-MAIL info@smcstainless.com.au
www.smcstainless.com.au

THE STAINLESS STEEL PEOPLE

(SINCE 1962)

MATERIAL - GRADE 304 STAINLESS STEEL

BABY BATH

**SOLID 2mm THICK
CONSTRUCTION**



* TYPICAL USE :
-- BABY BATH WITH SLOPING SIDE FOR EASE OF USE

* HOSPITALS , DAY CARE , SHOPPING CENTRES
* COUNCIL PUBLIC AMENITIES

**DATA
SHEET**

ITEM: BABY BATH

CODE: BB-1

DATE:

MARCH - 2003

REV:

C

PAGE No:

95

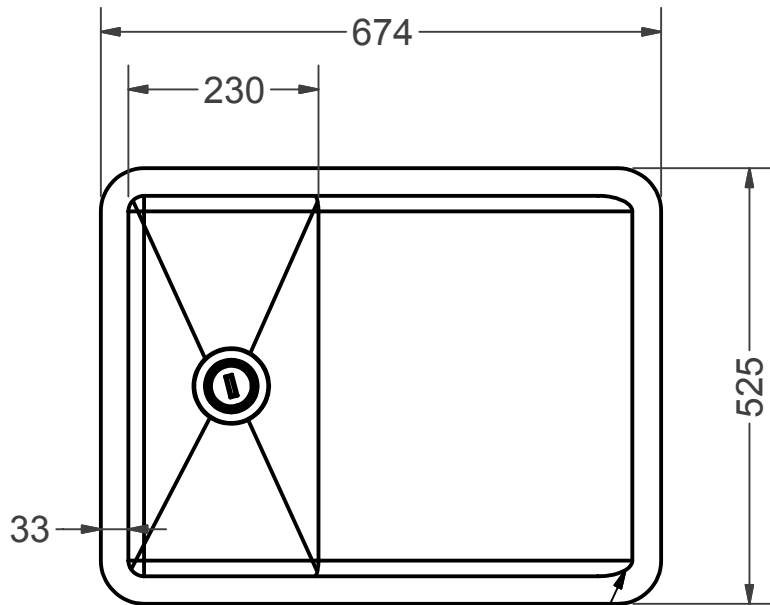
STAINLESS METAL CRAFT

6 BROMLEY ROAD EMU PLAINS 2750
PHONE: (02) 4735 5666 FAX: (02) 4735 7950
E-MAIL info@smcstainless.com.au
www.smcstainless.com.au

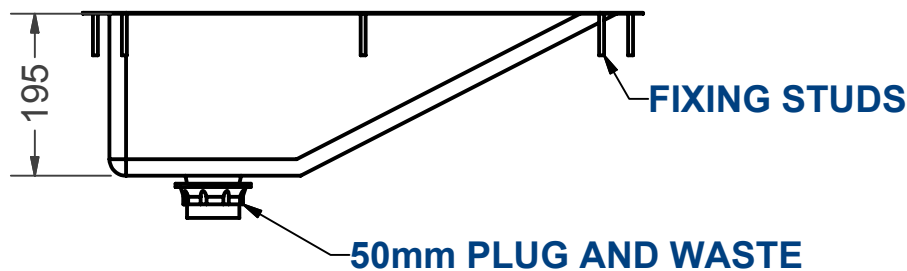
THE STAINLESS STEEL PEOPLE

(SINCE 1962)

MATERIAL - GRADE 304 STAINLESS STEEL



INTERNAL CORNERS RADIUSUED
FOR CLEANING AND SAFETY



**SPECIFICATIONS -
STAINLESS STEEL BABY BATH
SHALL BE MODEL BB-1 FROM
STAINLESS METAL CRAFT
PHONE: 02 4735 5666**

**DATA
SHEET**

ITEM: BABY BATH

CODE: BB-1

DATE:

MARCH - 2003

REV:

C

PAGE No:

95