

# STAINLESS METAL CRAFT

6 BROMLEY ROAD EMU PLAINS 2750  
PHONE: (02) 4735 5666 FAX: (02) 4735 7950  
E-MAIL [info@smcstainless.com.au](mailto:info@smcstainless.com.au)  
[www.smcstainless.com.au](http://www.smcstainless.com.au)

THE STAINLESS STEEL PEOPLE

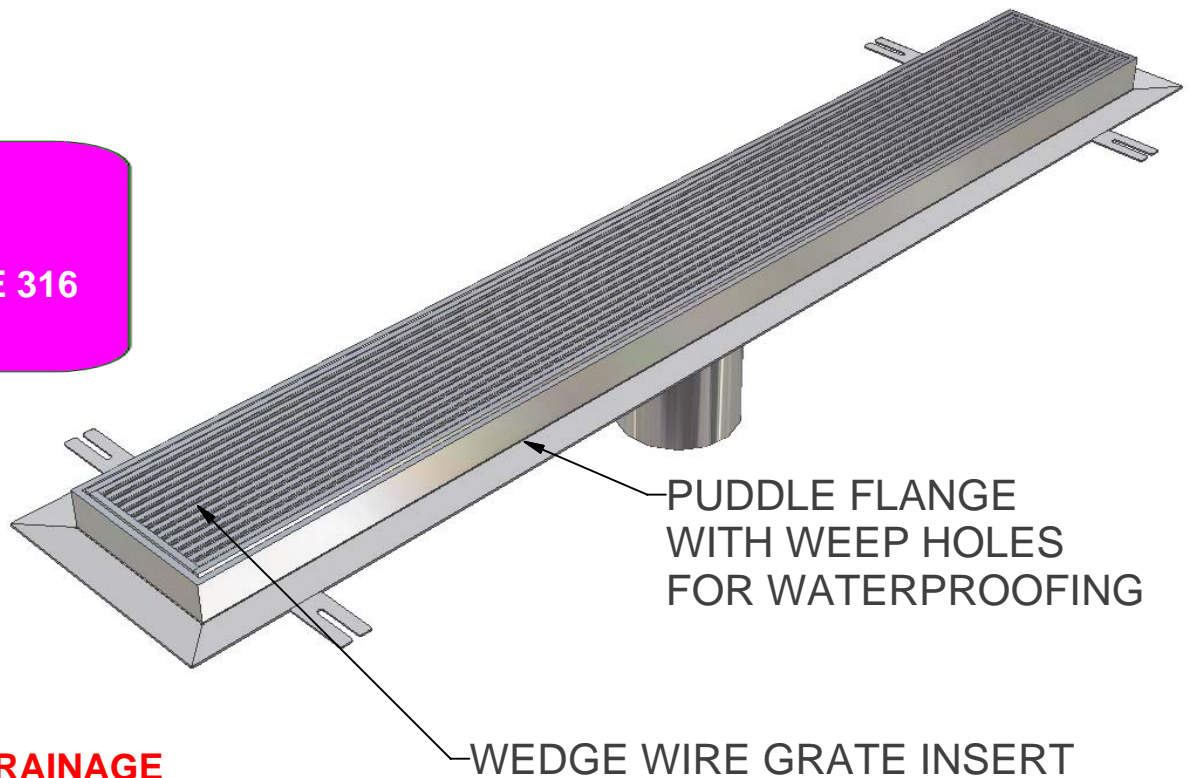
(SINCE 1962)

MATERIAL - STAINLESS STEEL

## BATHROOM DRAIN

### OPTIONS

\* MARINE GRADE 316



PUDDLE FLANGE  
WITH WEEP HOLES  
FOR WATERPROOFING

WEDGE WIRE GRATE INSERT

\* TYPICAL USE -  
-- FLOOR DRAINAGE

\* SHOWER - BATHROOM - BALCONY

\* LENGTH TO SUIT YOUR APPLICATION

\* SIZES OF FRAME, TROUGH AND GRATES TO SUIT YOUR APPLICATION.

\* LOADING AS REQUIRED.

**DATA  
SHEET**

**ITEM: BATHROOM DRAIN**

**CODE: BW-G-D1**

**DATE:**

**AUGUST - 2004**

**REV:**

**C**

**PAGE No:**

**200**

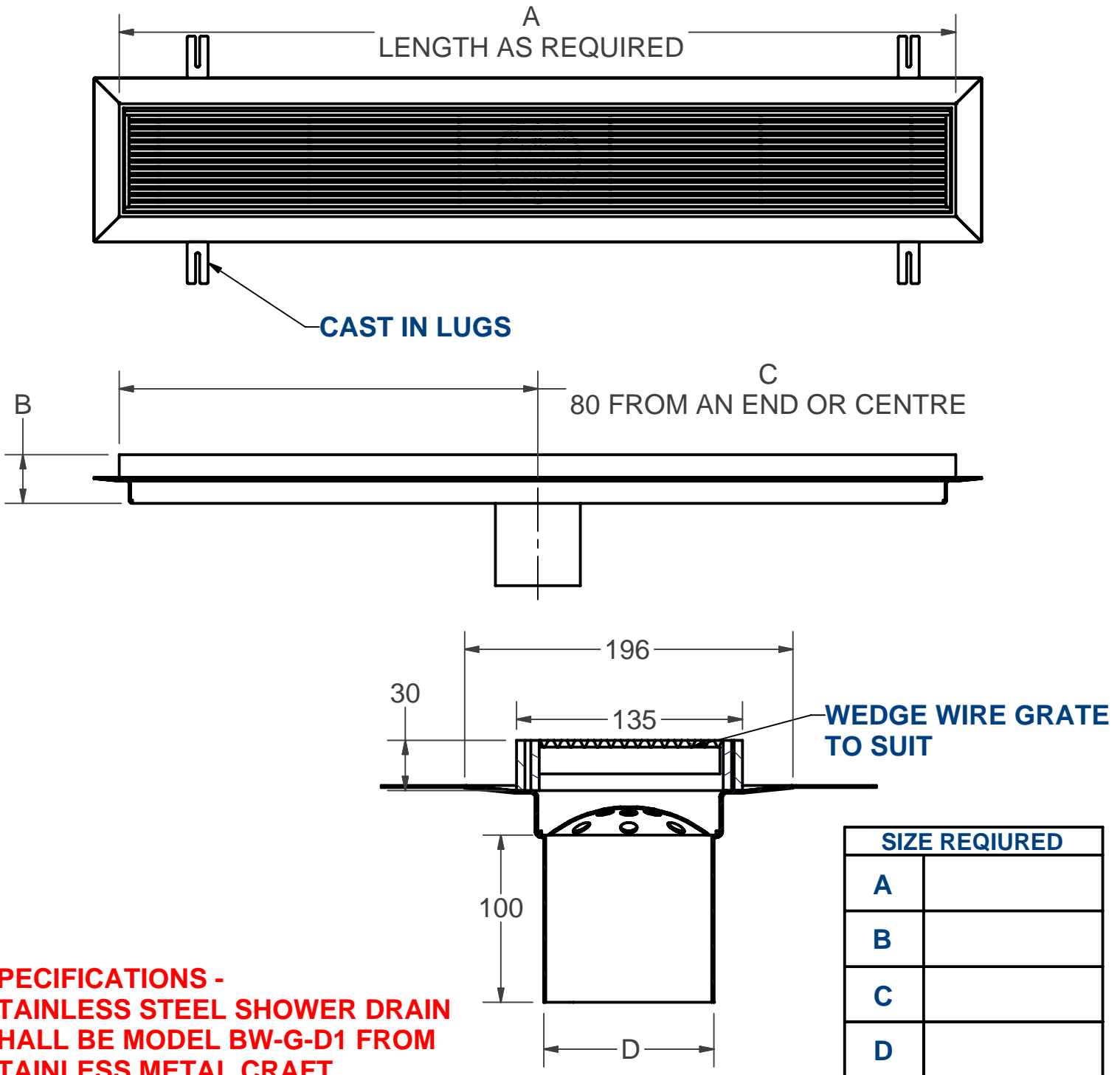
# STAINLESS METAL CRAFT

6 BROMLEY ROAD EMU PLAINS 2750  
 PHONE: (02) 4735 5666 FAX: (02) 4735 7950  
 E-MAIL [info@smcstainless.com.au](mailto:info@smcstainless.com.au)  
[www.smcstainless.com.au](http://www.smcstainless.com.au)

THE STAINLESS STEEL PEOPLE

(SINCE 1962)

MATERIAL - STAINLESS STEEL



SIZE REQUIRED	
A	
B	
C	
D	

**SPECIFICATIONS -  
 STAINLESS STEEL SHOWER DRAIN  
 SHALL BE MODEL BW-G-D1 FROM  
 STAINLESS METAL CRAFT  
 PHONE: 02 4735 5666**

**DATA SHEET**

**ITEM: BATHROOM DRAIN**

**CODE: BW-G-D1**

**DATE:**

**AUGUST - 2004**

**REV:**

**C**

**PAGE No:**

**200**