

STAINLESS METAL CRAFT

6 BROMLEY ROAD EMU PLAINS 2750
PHONE: (02) 4735 5666 FAX: (02) 4735 7950
E-MAIL info@smcstainless.com.au
www.smcstainless.com.au

THE STAINLESS STEEL PEOPLE

(SINCE 1962)

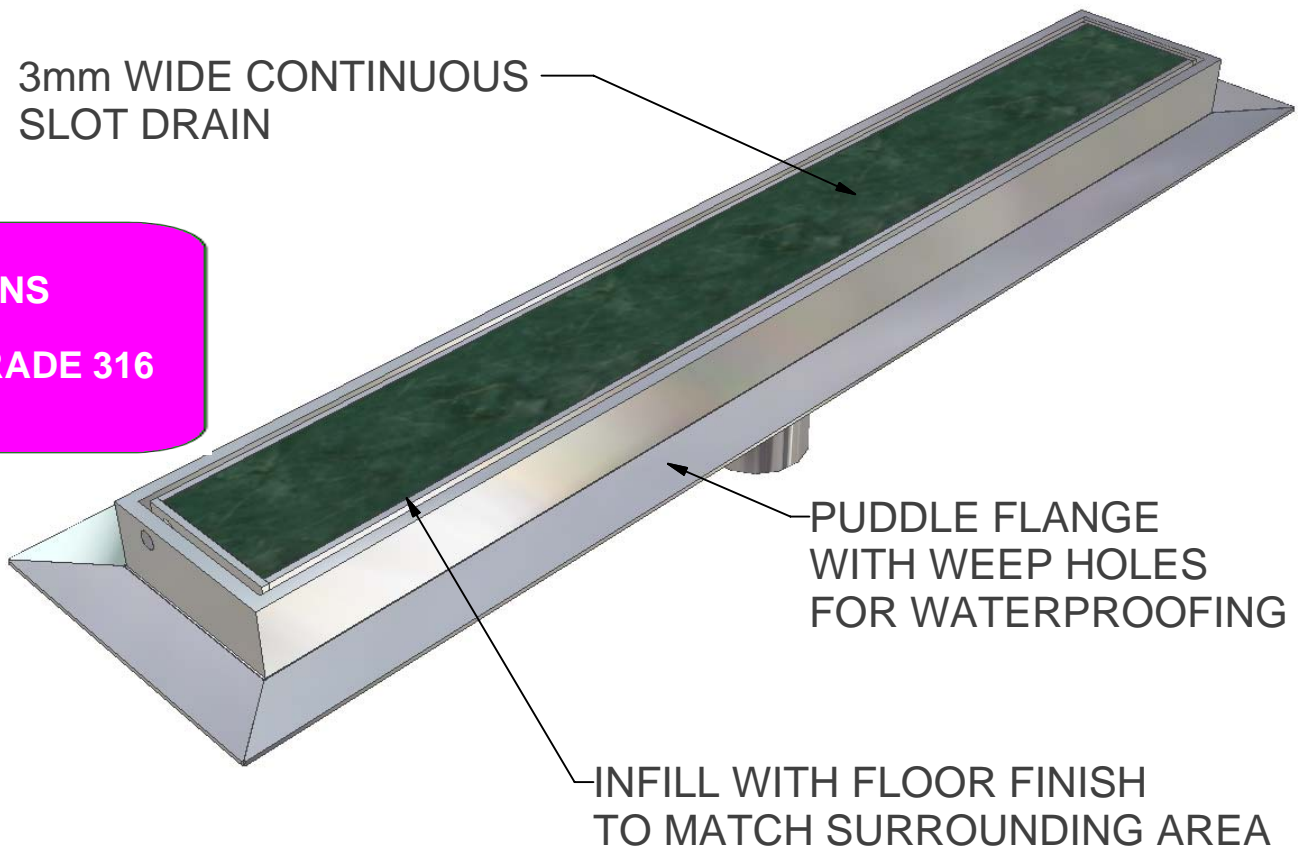
MATERIAL - GRADE 304 STAINLESS STEEL

BATHROOM DRAIN

3mm WIDE CONTINUOUS
SLOT DRAIN

OPTIONS

* MARINE GRADE 316



* TYPICAL USE -
-- FLOOR DRAINAGE

* BATHROOM - KITCHEN - GARAGE - BALCONY - POOL

* SIZES OF FRAME, TROUGH AND STONE TRAY TO SUIT YOUR APPLICATION.

**DATA
SHEET**

ITEM: BATHROOM DRAIN

CODE: BW-T-D2

DATE:

AUGUST - 2003

REV:

C

PAGE No:

201

STAINLESS METAL CRAFT

6 BROMLEY ROAD EMU PLAINS 2750
 PHONE: (02) 4735 5666 FAX: (02) 4735 7950
 E-MAIL info@smcstainless.com.au
www.smcstainless.com.au

THE STAINLESS STEEL PEOPLE

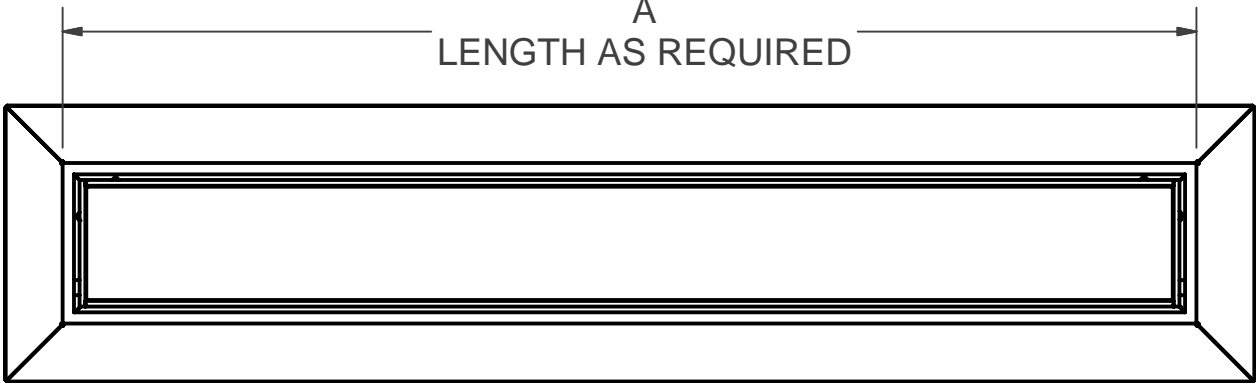
(SINCE 1962)

MATERIAL - GRADE 304 STAINLESS STEEL

---- LOADING: CLASS C

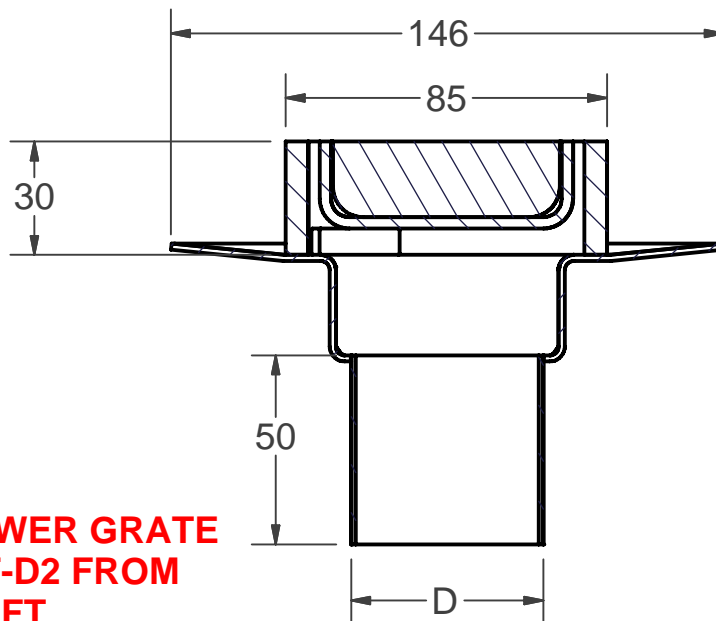
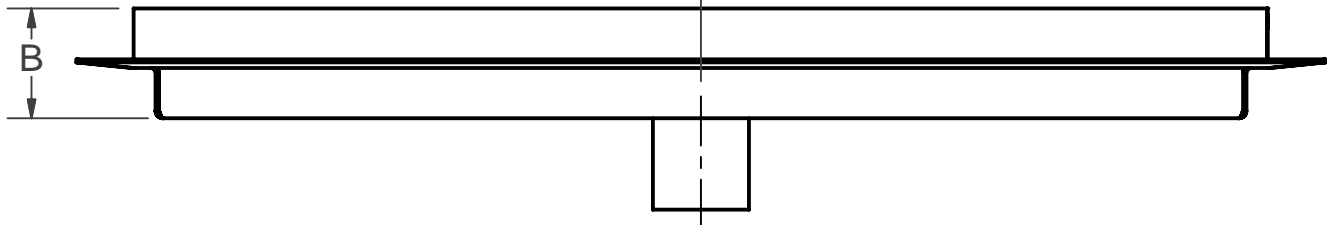
A

LENGTH AS REQUIRED



C

80 FROM END OR CENTRE



SIZE REQUIRED	
A	
B	
C	
D	

**SPECIFICATIONS -
 STAINLESS STEEL SHOWER GRATE
 SHALL BE MODEL BW-T-D2 FROM
 STAINLESS METAL CRAFT
 PHONE: 02 4735 5666**

**DATA
 SHEET**

ITEM: BATHROOM DRAIN

CODE: BW-T-D2

DATE:

AUGUST - 2003

REV:

C

PAGE No:

201