

# STAINLESS METAL CRAFT

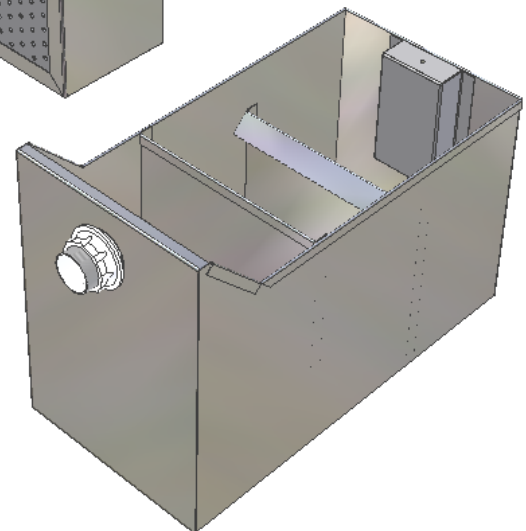
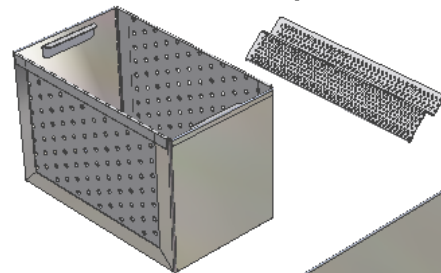
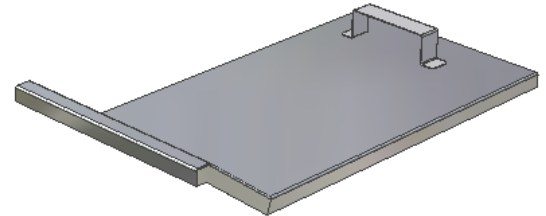
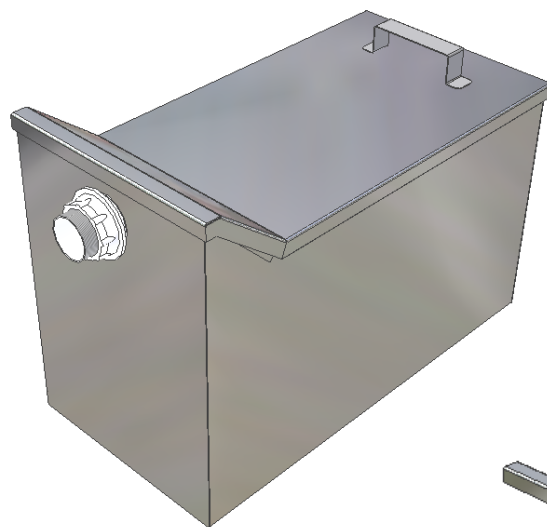
6 BROMLEY ROAD EMU PLAINS 2750  
PHONE: (02) 4735 5666 FAX: (02) 4735 7950  
E-MAIL [info@smcstainless.com.au](mailto:info@smcstainless.com.au)  
[www.smcstainless.com.au](http://www.smcstainless.com.au)

THE STAINLESS STEEL PEOPLE

(SINCE 1962)

MATERIAL - GRADE 304 STAINLESS STEEL

## CLAY / PLASTER TRAP



### OPTIONS

\* MARINE GRADE 316

\* TYPICAL USE -  
-- SCHOOLS  
-- ART STUDIOS  
-- EDUCATION FACILITIES  
USING CLAY AND PLASTER

**DATA  
SHEET**

**ITEM: CLAY & PLASTER TRAP**

**CODE: CA-1**

**DATE:**

**OCTOBER - 2003**

**REV:**

**C**

**PAGE No:**

**36**

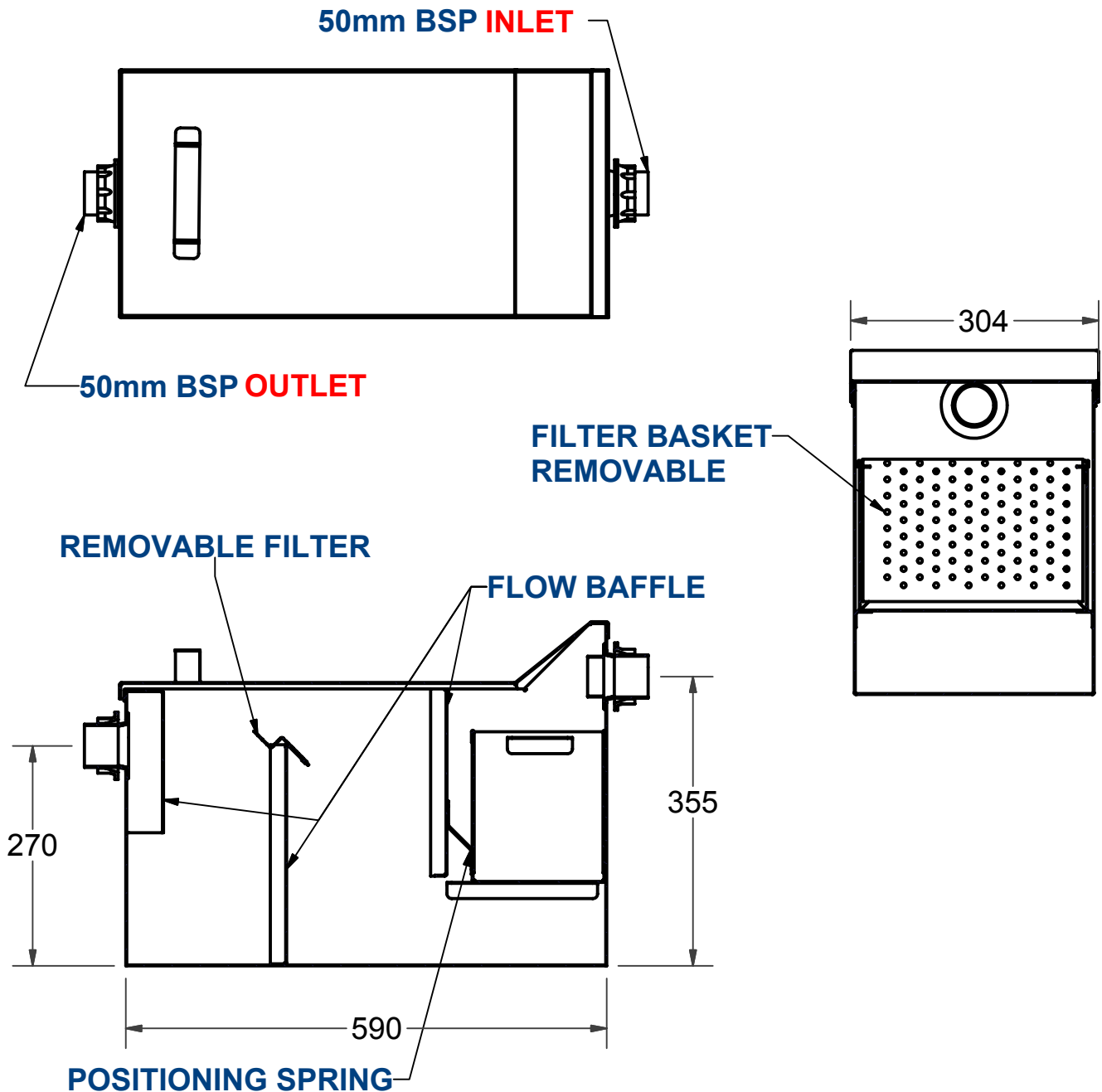
# STAINLESS METAL CRAFT

6 BROMLEY ROAD EMU PLAINS 2750  
 PHONE: (02) 4735 5666 FAX: (02) 4735 7950  
 E-MAIL [info@smcstainless.com.au](mailto:info@smcstainless.com.au)  
[www.smcstainless.com.au](http://www.smcstainless.com.au)

THE STAINLESS STEEL PEOPLE

(SINCE 1962)

MATERIAL - GRADE 304 STAINLESS STEEL



**SPECIFICATIONS -**  
**STAINLESS STEEL CLAY & PLASTER TRAP**  
**SHALL BE MODEL CA-1 FROM**  
**STAINLESS METAL CRAFT**  
**PHONE: 02 9756 4977**

**DATA SHEET**

**ITEM: CLAY & PLASTER TRAP**

**CODE: CA-1**

**DATE:**

**OCTOBER - 2003**

**REV:**

**C**

**PAGE No:**

**36**