

STAINLESS METAL CRAFT

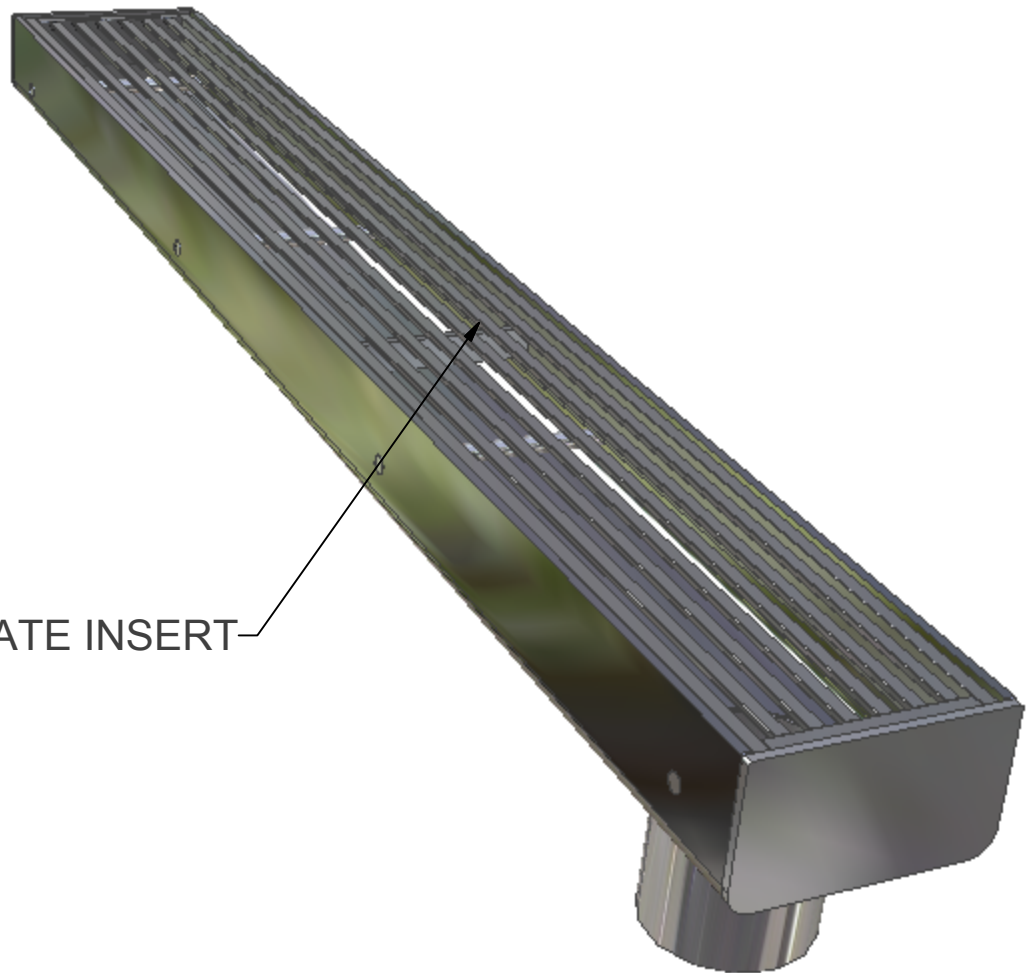
6 BROMLEY ROAD EMU PLAINS 2750
PHONE: (02) 4735 5666 FAX: (02) 4735 7950
E-MAIL info@smcstainless.com.au
www.smcstainless.com.au

THE STAINLESS STEEL PEOPLE

(SINCE 1962)

MATERIAL - 3mm THICK GRADE 304 STAINLESS STEEL

CHANNEL DRAIN



OPTIONS

* MARINE GRADE 316

WEDGE WIRE GRATE INSERT

- * TYPICAL USE -
 - FLOOR DRAINAGE
 - IDEAL FOR WHEELCHAIR ACCESSIBILITY
- * SHOWER - BATHROOM - BALCONY
- * LENGTH & WIDTH OF TROUGH AND GRATES TO SUIT YOUR APPLICATION.
- * LOADING AS REQUIRED.

**DATA
SHEET**

ITEM: CHANNEL DRAIN

CODE: CD-2

DATE:

MARCH - 2006

REV:

D

PAGE No:

203

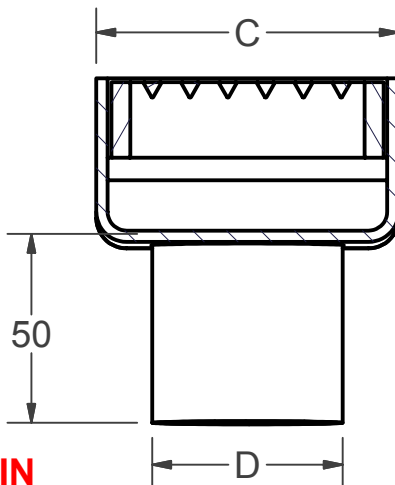
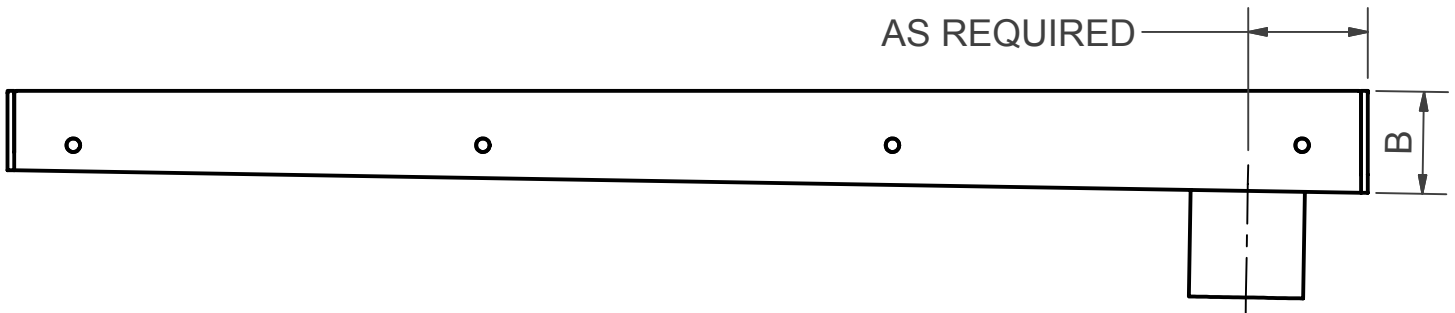
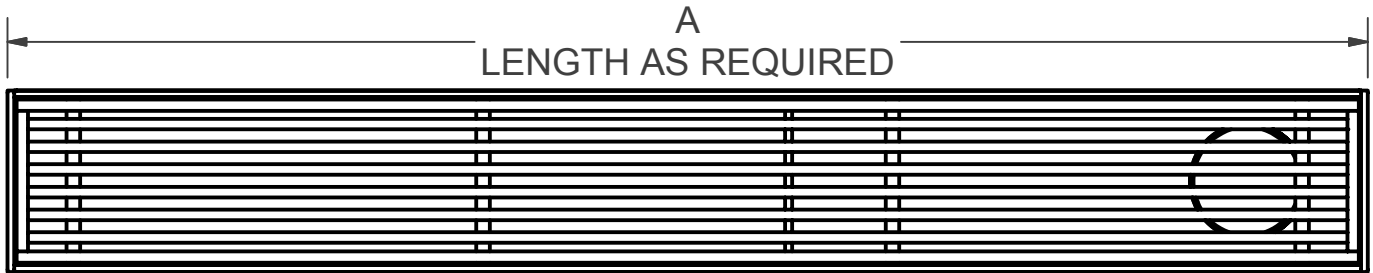
STAINLESS METAL CRAFT

6 BROMLEY ROAD EMU PLAINS 2750
 PHONE: (02) 4735 5666 FAX: (02) 4735 7950
 E-MAIL info@smcstainless.com.au
www.smcstainless.com.au

THE STAINLESS STEEL PEOPLE

(SINCE 1962)

MATERIAL - 3mm THICK GRADE 304 STAINLESS STEEL



SIZE REQUIRED	
A	
B	
C	
D	

**SPECIFICATIONS -
 STAINLESS STEEL SHOWER DRAIN
 SHALL BE MODEL CD-2 FROM
 STAINLESS METAL CRAFT
 PHONE: 02 4735 5666**

**DATA
 SHEET**

ITEM: CHANNEL DRAIN

CODE: CD-2

DATE:

MARCH - 2006

REV:

D

PAGE No:

203