

# STAINLESS METAL CRAFT

6 BROMLEY ROAD EMU PLAINS 2750  
PHONE: (02) 4735 5666 FAX: (02) 4735 7950  
E-MAIL [info@smcstainless.com.au](mailto:info@smcstainless.com.au)  
[www.smcstainless.com.au](http://www.smcstainless.com.au)

THE STAINLESS STEEL PEOPLE

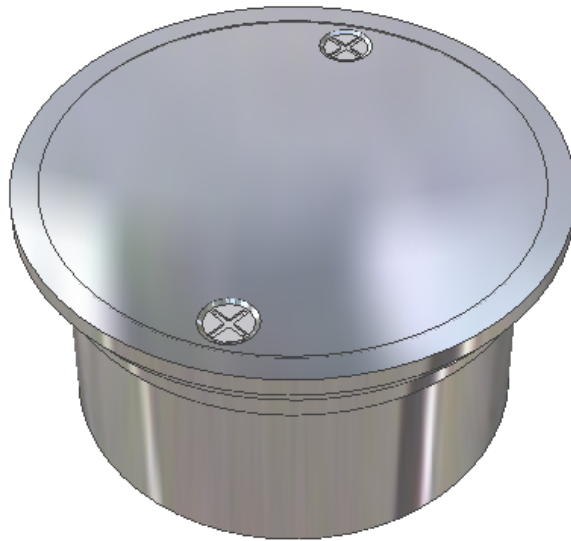
(SINCE 1962)

MATERIAL - GRADE 304 STAINLESS STEEL

## CLEAR OUT

### OPTIONS

- \* MARINE GRADE 316
- \* VINYL CLAMP
- \* EXTENDED TAIL AVAILABLE
- \* OUTLET DIAMETER TO SUIT VARIOUS DRAIN SIZES
- \* RUBBER O RING CONNECTION TO SUIT VARIOUS DRAINAGE SIZES



\* STAINLESS PLATES AVAILABLE TO SUIT MANY COMMERCIALY AVAILABLE PVC CLEAR OUTS

\* TYPICAL USE -  
-- SEWER INSPECTION POINT

DATA SHEET

ITEM: CLEAR OUT

CODE: CO-4 CO-6

DATE:

OCTOBER - 2003

REV:

C

PAGE No:

31

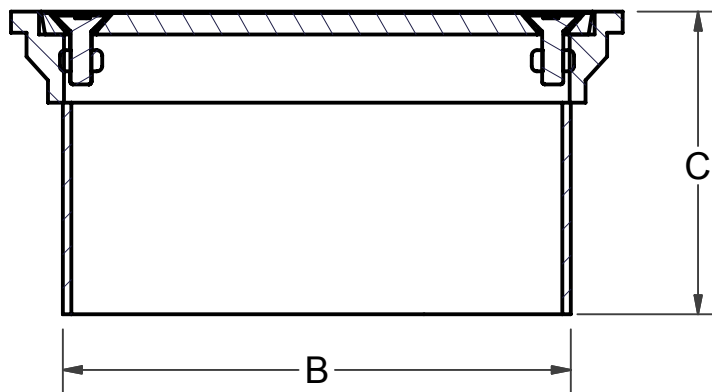
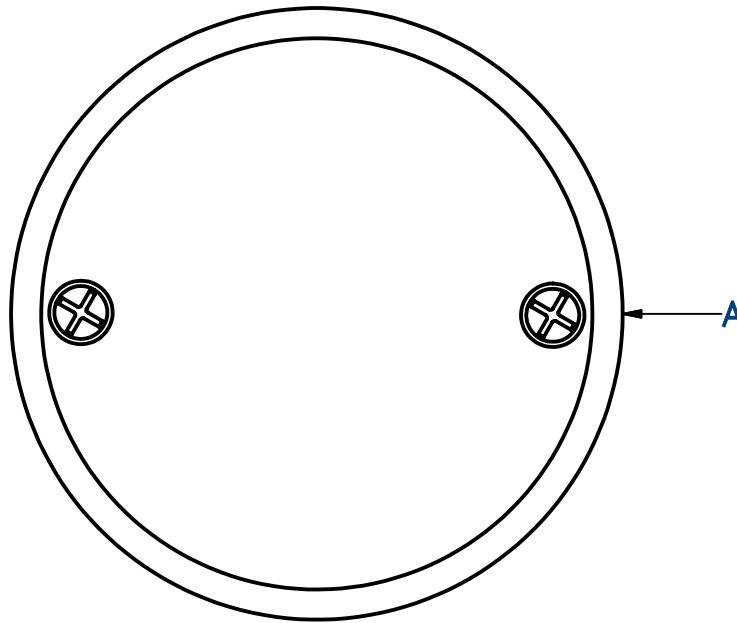
# STAINLESS METAL CRAFT

6 BROMLEY ROAD EMU PLAINS 2750  
 PHONE: (02) 4735 5666 FAX: (02) 4735 7950  
 E-MAIL [info@smcstainless.com.au](mailto:info@smcstainless.com.au)  
[www.smcstainless.com.au](http://www.smcstainless.com.au)

THE STAINLESS STEEL PEOPLE

(SINCE 1962)

MATERIAL - GRADE 304 STAINLESS STEEL  
 --- LOADING: CLASS A



**SPECIFICATIONS -  
 STAINLESS STEEL CLEAR OUT  
 SHALL BE MODEL CO-4 or CO-6 FROM  
 STAINLESS METAL CRAFT  
 PHONE: 02 4735 5666**

CO-4	118	96	70
CO-6	169	152.4	70

**DATA  
 SHEET**

**ITEM: CLEAR OUT**

**CODE: CO-4 CO-6**

<b>DATE:</b>	<b>OCTOBER - 2003</b>
<b>REV:</b>	<b>C PAGE No: 31</b>