

# STAINLESS METAL CRAFT

6 BROMLEY ROAD EMU PLAINS 2750  
PHONE: (02) 4735 5666 FAX: (02) 4735 7950  
E-MAIL [info@smcstainless.com.au](mailto:info@smcstainless.com.au)  
[www.smcstainless.com.au](http://www.smcstainless.com.au)

THE STAINLESS STEEL PEOPLE

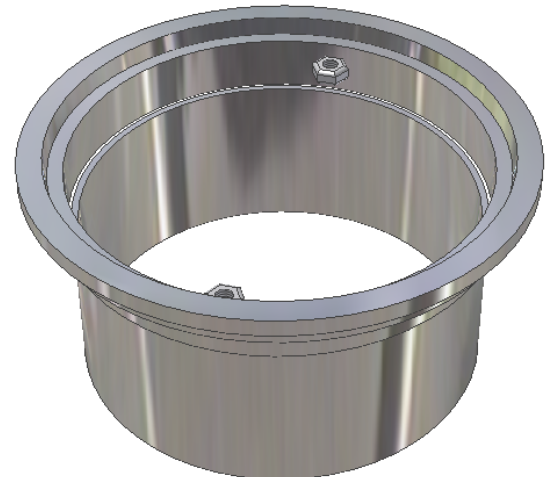
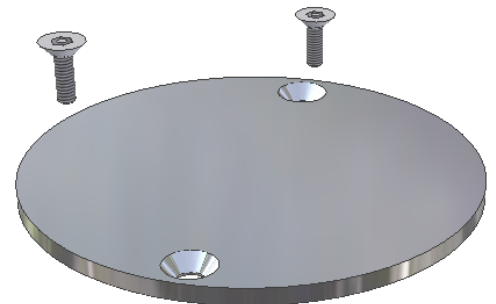
(SINCE 1962)

MATERIAL - GRADE 304 STAINLESS STEEL

## CLEAR OUT

### OPTIONS

- \* MARINE GRADE 316
- \* VINYL CLAMP
- \* EXTENDED TAIL AVAILABLE
- \* OUTLET DIAMETER TO SUIT VARIOUS DRAIN SIZES



\* TYPICAL USE -  
-- SEWER INSPECTION POINT

**DATA  
SHEET**

**ITEM: CLEAR OUT**

**CODE: CO-4-PA CO-6-PA**

**DATE:**

**MARCH - 2004**

**REV:**

**C**

**PAGE No:**

**188**

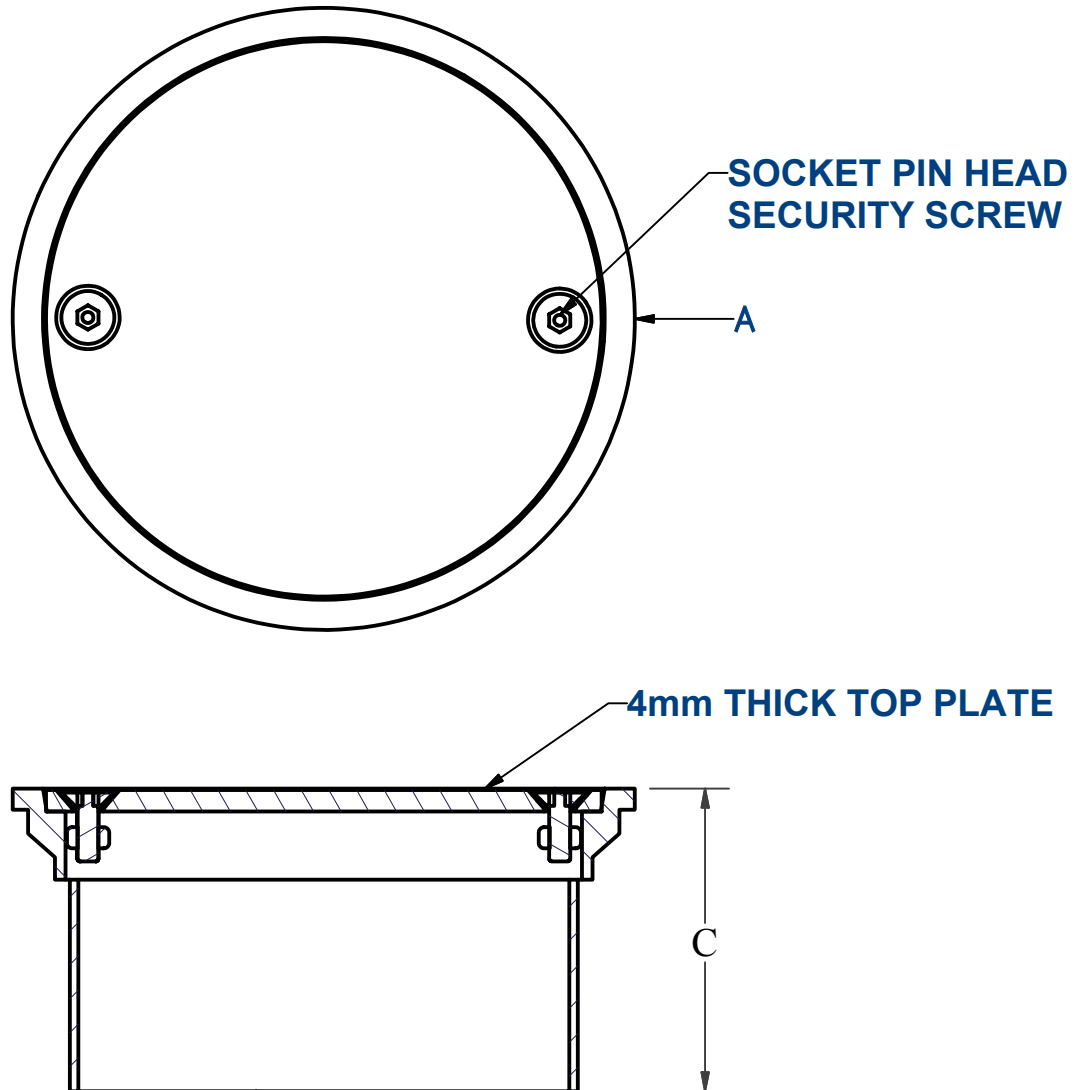
# STAINLESS METAL CRAFT

6 BROMLEY ROAD EMU PLAINS 2750  
 PHONE: (02) 4735 5666 FAX: (02) 4735 7950  
 E-MAIL [info@smcstainless.com.au](mailto:info@smcstainless.com.au)  
[www.smcstainless.com.au](http://www.smcstainless.com.au)

THE STAINLESS STEEL PEOPLE

(SINCE 1962)

MATERIAL - GRADE 304 STAINLESS STEEL  
 --- LOADING: CLASS A



**SPECIFICATIONS -  
 STAINLESS STEEL CLEAR OUT  
 SHALL BE MODEL CO-4-PA OR CO-PA FROM  
 STAINLESS METAL CRAFT  
 PHONE: 02 4735 5666**

| CODE | A   | B     | C  |
|------|-----|-------|----|
| CO-4 | 118 | 96    | 70 |
| CO-6 | 169 | 152.4 | 70 |

**DATA  
 SHEET**

**ITEM: CLEAR OUT**

**CODE: CO-4-PA CO-6-PA**

**DATE:**

**MARCH - 2004**

**REV:**

**C**

**PAGE No:**

**188**