

STAINLESS METAL CRAFT

6 BROMLEY ROAD EMU PLAINS 2750
 PHONE: (02) 4735 5666 FAX: (02) 4735 7950
 E-MAIL info@smcstainless.com.au
www.smcstainless.com.au

THE STAINLESS STEEL PEOPLE

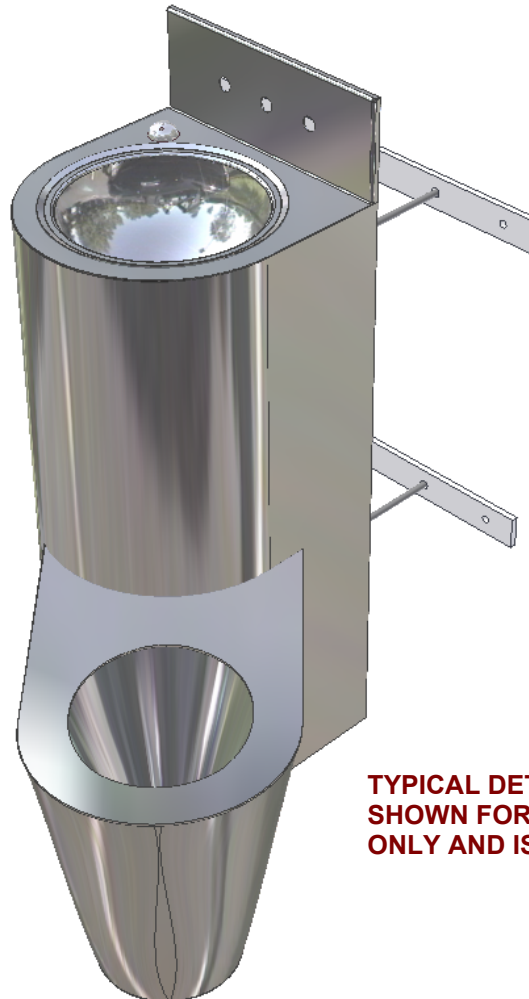
(SINCE 1962)

MATERIAL - GRADE 304 STAINLESS STEEL

COMBINATION PAN AND BASIN

OPTIONS

- * "S" OR "P" TRAP
- * ACCESS PANEL WHERE REQUIRED
- * TOILET ROLL HOLDER
- * TAPWARE
- * AVAILABLE WITH PAN SET STRAIGHT OR 45° TO LEFT OR RIGHT
- * BASIN DRAIN POINT TO WASTE OUTLET
- * REAR FIXINGS TO SUIT APPLICATION



TYPICAL DETENTION TAPWARE SHOWN FOR DISPLAY PURPOSE ONLY AND IS NOT INCLUDED

* TYPICAL USE :

- TOILET PAN & BASIN COMBINATION, WITH INBUILT TOILET ROLL HOLDER. TYPICALLY FOR DETENTION CELL OR OTHER RESTRICTED SPACE, WITH PLUMBING & FIXINGS CONCEALED BEHIND IN AN ACCESSIBLE DUCT.
- LOW MAINTENANCE WITH SUPERIOR VANDAL RESISTANCE INCLUDING ANTI - CONTRABAND FLUSHING RIM & INTEGRATED COMFORT SEAT

- GAOLS, POLICE STATIONS, JUVENILE JUSTICE CENTRES, COURT HOUSES, IMMIGRATION CENTRES, PSYCHIATRIC HOSPITALS, SHIPS.



DATA SHEET

ITEM: COMBINATION PAN 6L & BASIN

AS1172

Lic:SMK 02172

CODE: CP1-M2

DATE:

MARCH - 2003

REV:

C

PAGE No:

175

STAINLESS METAL CRAFT

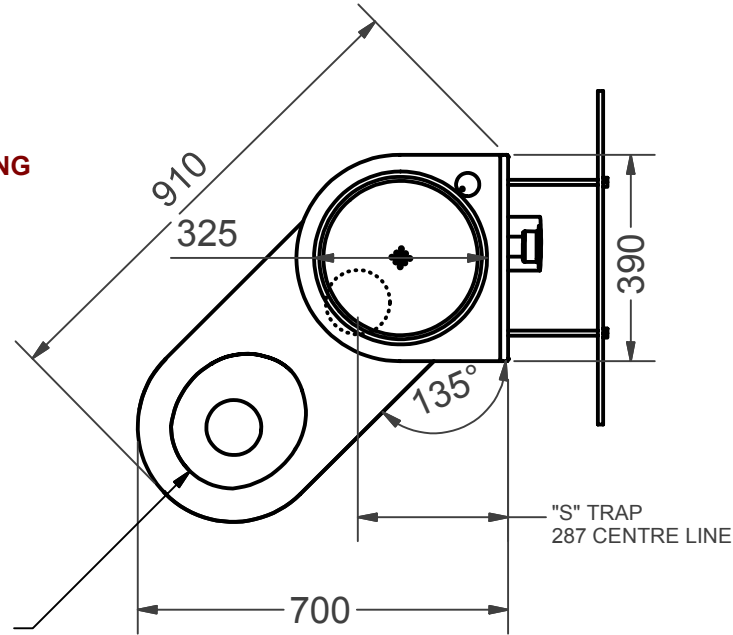
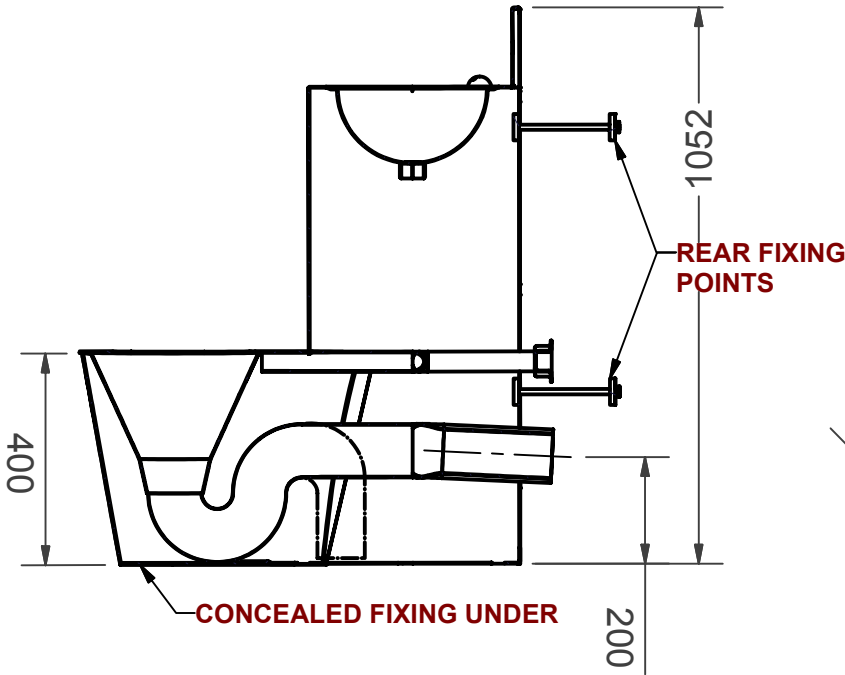
6 BROMLEY ROAD EMU PLAINS 2750
 PHONE: (02) 4735 5666 FAX: (02) 4735 7950
 E-MAIL info@smcstainless.com.au
www.smcstainless.com.au

THE STAINLESS STEEL PEOPLE

(SINCE 1962)

MATERIAL - GRADE 304 STAINLESS STEEL

TOP 3mm THICK
 BODY 2mm THICK
 TRAP 1.6mm THICK

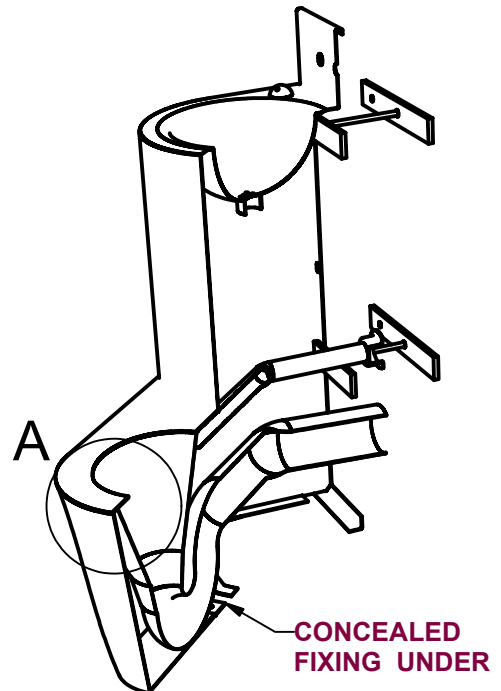
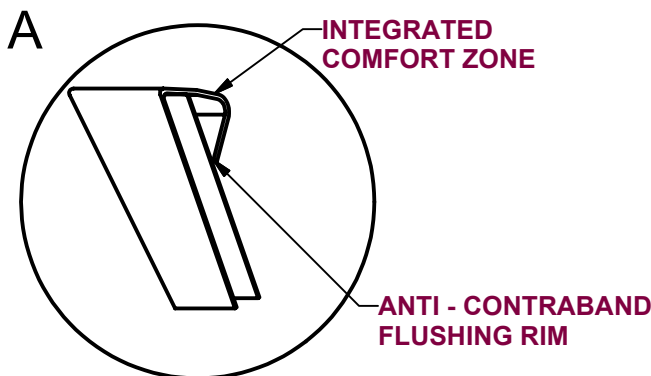


INTEGRATED COMFORT ZONE

Ø100 SOIL PIPE

"S" TRAP 287mm FROM REAR

"P" TRAP 200mm FROM BASE



SPECIFICATIONS -
STAINLESS STEEL COMBINATION UNIT
SHALL BE MODEL CP1-M2 FROM
STAINLESS METAL CRAFT
PHONE: 02 4735 5666

DETAILED INSTALLATION
INFORMATION AVAILABLE

DATA SHEET

ITEM: COMBINATION PAN 6L & BASIN

AS1172

Lic:SMK 02172

CODE: CP1-M2

DATE:

MARCH - 2003

REV:

C

PAGE No:

175