

# STAINLESS METAL CRAFT

6 BROMLEY ROAD EMU PLAINS 2750  
 PHONE: (02) 4735 5666 FAX: (02) 4735 7950  
 E-MAIL [info@smcstainless.com.au](mailto:info@smcstainless.com.au)  
[www.smcstainless.com.au](http://www.smcstainless.com.au)

THE STAINLESS STEEL PEOPLE

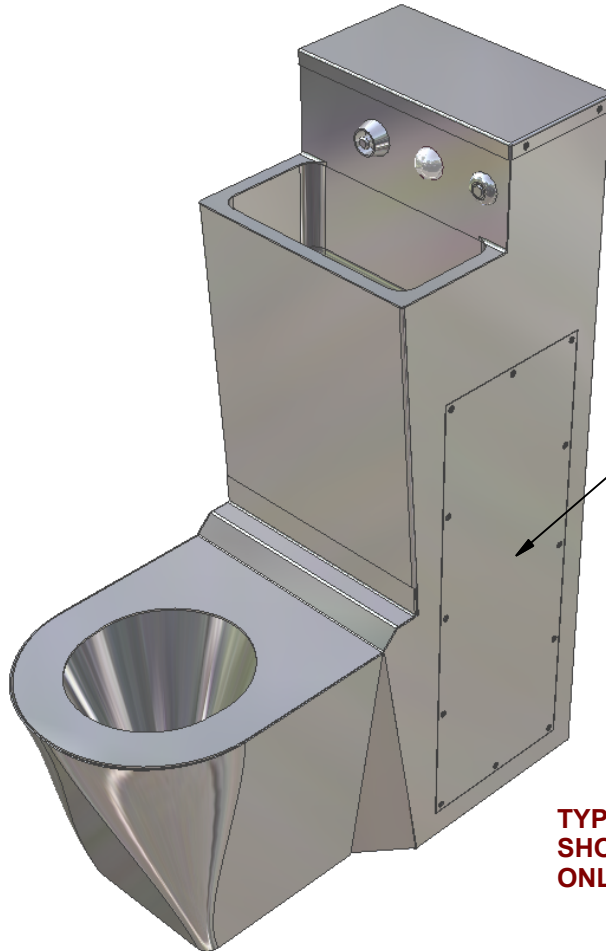
(SINCE 1962)

MATERIAL - GRADE 304 STAINLESS STEEL

## COMBINATION PAN AND BASIN

### OPTIONS

- \* "S" OR "P" TRAP
- \* BASIN DRAIN POINT TO WASTE OUTLET
- \* TOILET ROLL HOLDER
- \* TAPWARE



ACCESS PANEL  
 RIGHT OR  
 LEFT HAND  
 AS REQUIRED

TYPICAL DETENTION TAPWARE  
 SHOWN FOR DISPLAY PURPOSE  
 ONLY AND IS NOT INCLUDED

### \* TYPICAL USE :

- TOILET PAN & BASIN COMBINATION, WITH INBUILT CISTERN, TOILET ROLL HOLDER. TYPICALLY FOR DETENTION CELL OR OTHER RESTRICTED SPACE, WITH PLUMBING & FIXINGS CONCEALED .
- LOW MAINTENANCE WITH SUPERIOR VANDAL RESISTANCE INCLUDING ANTI - CONTRABAND FLUSHING RIM & INTEGRATED COMFORT SEAT

- POLICE STATIONS, GAOLS, JUVENILE JUSTICE CENTRES, COURT HOUSES, IMMIGRATION CENTRES, PSYCHIATRIC HOSPITALS, SHIPS.



**DATA SHEET**

**ITEM: COMBINATION PAN 6L & BASIN**

**AS1172**

Lic:SMK 02172

**CODE: CP1-M3**

**DATE:**

**MARCH - 2003**

**REV:**

**C**

**PAGE No:**

**176**

# STAINLESS METAL CRAFT

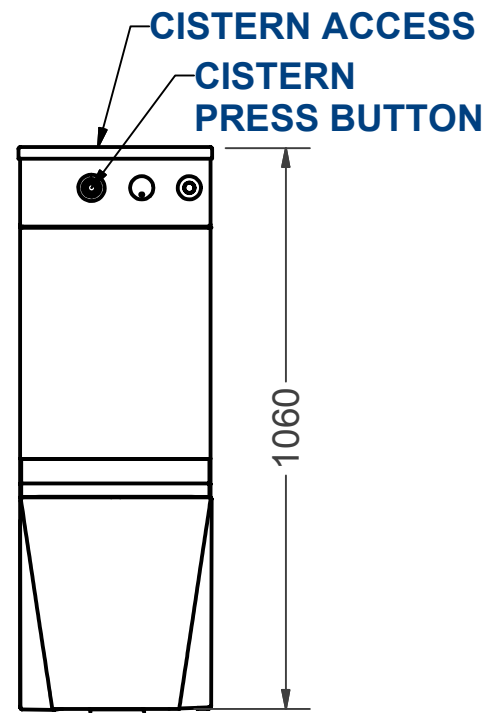
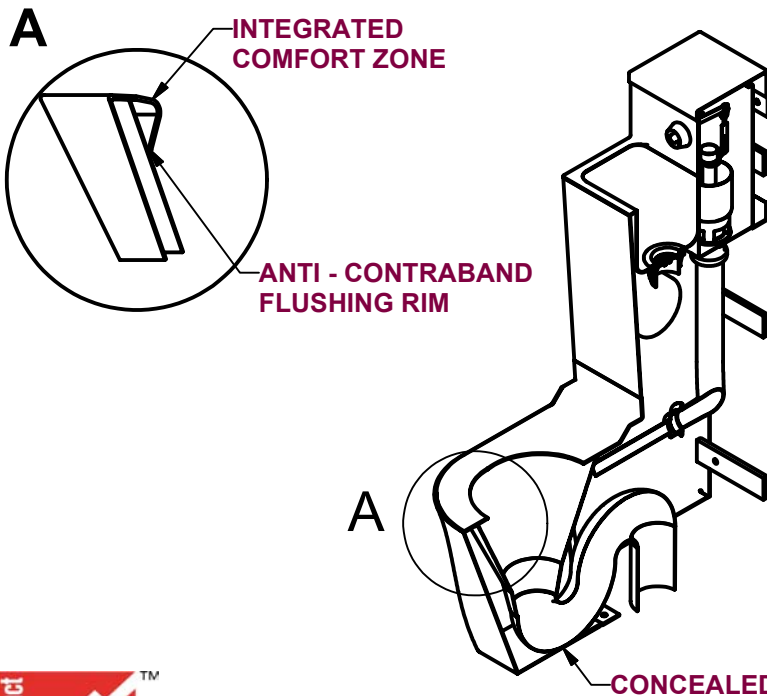
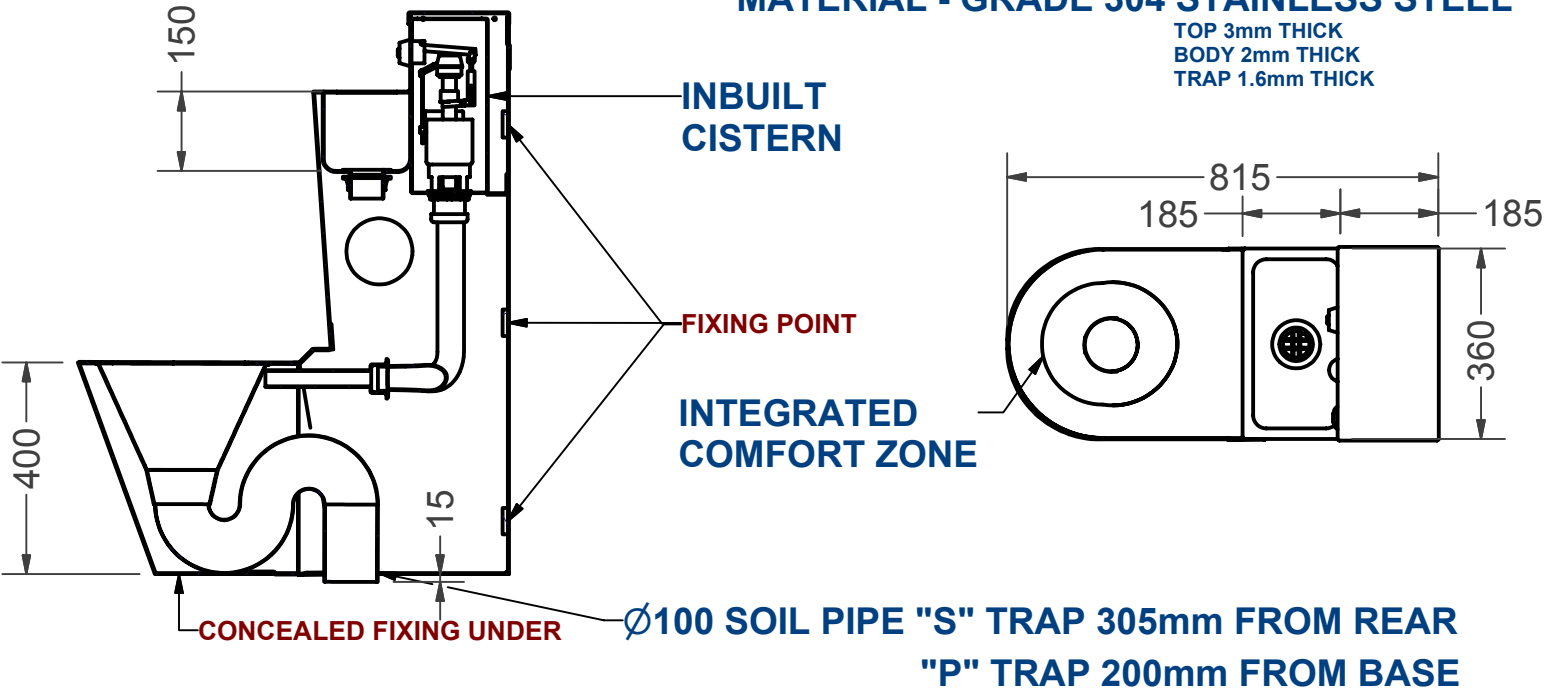
6 BROMLEY ROAD EMU PLAINS 2750  
 PHONE: (02) 4735 5666 FAX: (02) 4735 7950  
 E-MAIL [info@smcstainless.com.au](mailto:info@smcstainless.com.au)  
[www.smcstainless.com.au](http://www.smcstainless.com.au)

THE STAINLESS STEEL PEOPLE

(SINCE 1962)

MATERIAL - GRADE 304 STAINLESS STEEL

TOP 3mm THICK  
 BODY 2mm THICK  
 TRAP 1.6mm THICK



**SPECIFICATIONS -**  
**STAINLESS STEEL COMBINATION UNIT**  
**SHALL BE MODEL CP1-M3 FROM**  
**STAINLESS METAL CRAFT**  
**PHONE: 02 4735 5666**

**DETAILED INSTALLATION**  
**INFORMATION AVAILABLE**

**DATA SHEET**

**ITEM: COMBINATION PAN 6L & BASIN**

**AS1172**

Lic:SMK 02172

**CODE: CP1-M3**

**DATE:**

**MARCH - 2003**

**REV:**

**C**

**PAGE No:**

**176**