

STAINLESS METAL CRAFT

6 BROMLEY ROAD EMU PLAINS 2750
 PHONE: (02) 4735 5666 FAX: (02) 4735 7950
 E-MAIL info@smcstainless.com.au
www.smcstainless.com.au

THE STAINLESS STEEL PEOPLE

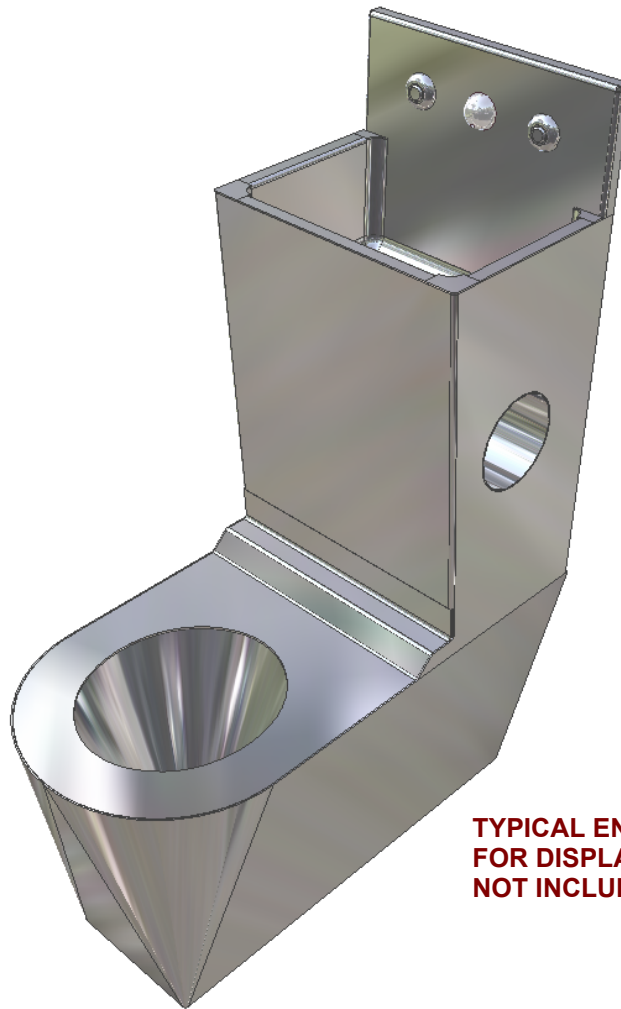
(SINCE 1962)

MATERIAL - GRADE 304 STAINLESS STEEL

COMBINATION PAN AND BASIN

OPTIONS

- * "S" OR "P" TRAP
- * ACCESS PANEL WHERE REQUIRED
- * TOILET ROLL HOLDER
- * ENWARE TAPWARE



TYPICAL ENWARE TAPWARE SHOWN FOR DISPLAY PURPOSE ONLY AND IS NOT INCLUDED UNLESS SPECIFIED

* TYPICAL USE :

- TOILET PAN & BASIN COMBINATION, WITH INBUILT TOILET ROLL HOLDER. TYPICALLY FOR DETENTION CELL OR OTHER RESTRICTED SPACE, WITH PLUMBING & FIXINGS CONCEALED BEHIND IN AN ACCESSIBLE DUCT.
- LOW MAINTENANCE WITH SUPERIOR VANDAL RESISTANCE INCLUDING ANTI - CONTRABAND FLUSHING RIM & INTEGRATED COMFORT SEAT

- GAOLS, POLICE STATIONS, JUVENILE JUSTICE CENTRES, COURT HOUSES, IMMIGRATION CENTRES, PSYCHIATRIC HOSPITALS, SHIPS.



DATA SHEET

ITEM: COMBINATION PAN 6L & BASIN

AS1172

Lic:SMK 02172

CODE: CP-1-S & CP-1-P

DATE:

MARCH - 2003

REV:

C

PAGE No:

61

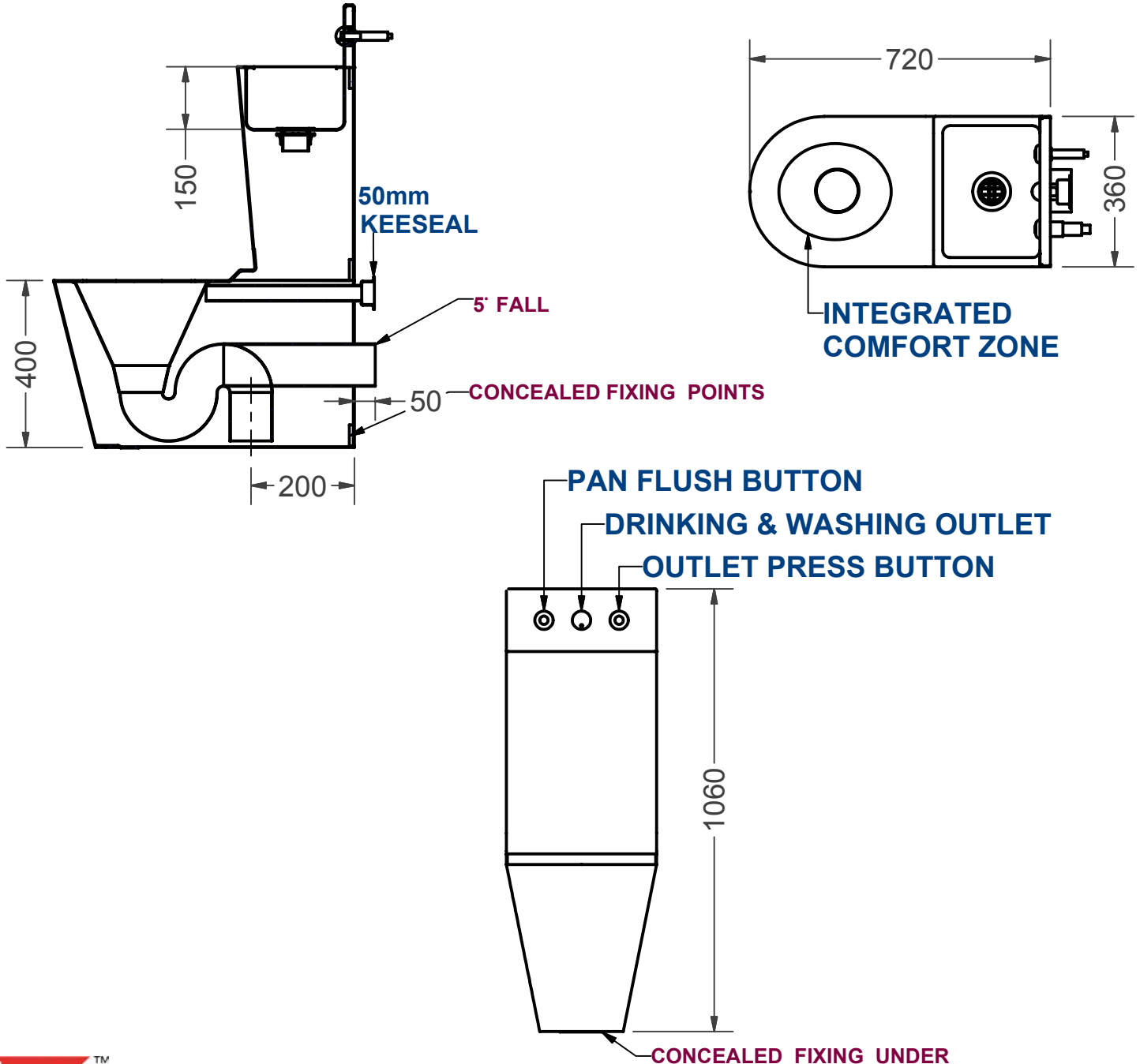
STAINLESS METAL CRAFT

6 BROMLEY ROAD EMU PLAINS 2750
 PHONE: (02) 4735 5666 FAX: (02) 4735 7950
 E-MAIL info@smcstainless.com.au
www.smcstainless.com.au

THE STAINLESS STEEL PEOPLE

(SINCE 1962)

MATERIAL - GRADE 304 STAINLESS STEEL



**SPECIFICATIONS -
 STAINLESS STEEL COMBINATION UNIT
 SHALL BE MODEL CP-1-S FROM
 STAINLESS METAL CRAFT
 PHONE: 02 9756 4977**

DATA SHEET

ITEM: COMBINATION PAN 6L & BASIN

AS1172

Lic:SMK 02172

CODE: CP-1-S & CP-1-P

DATE:

MARCH - 2003

REV:

C

PAGE No:

61