

STAINLESS METAL CRAFT

6 BROMLEY ROAD EMU PLAINS 2750
PHONE: (02) 4735 5666 FAX: (02) 4735 7950
E-MAIL info@smcstainless.com.au
www.smcstainless.com.au

THE STAINLESS STEEL PEOPLE

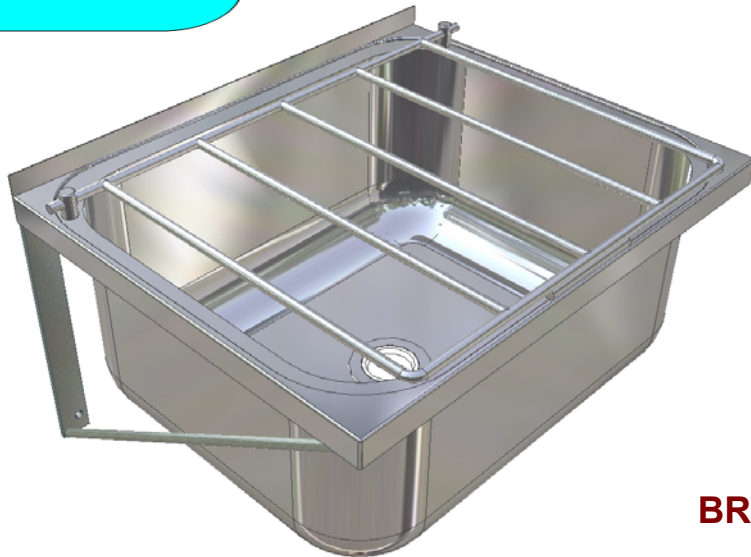
(SINCE 1962)

MATERIAL - GRADE 304 STAINLESS STEEL

CLEANERS SINK

OPTIONS

- * HEAVY DUTY FRONT LEGS
CODE: CS-1-HDL
(AS ILLUSTRATED)
- * 450mm SPLASHBACK



BRACKETS SUPPLIED

* TYPICAL USE

-- USED BY MAINTENANCE PEOPLE DURING CLEANING OPERATIONS

-- FULL WIDTH GRATE FOR HIGH USE AREAS

-- LARGE 45 LITRE CAPACITY

-- BUCKET SITS ON GRATE FOR FILLING NO NEED TO LIFT UPWARDS OUT OF SINK

**DATA
SHEET**

ITEM: CLEANERS SINK

CODE: CS-1

DATE:

MAY - 2003

REV:

C

PAGE No:

103

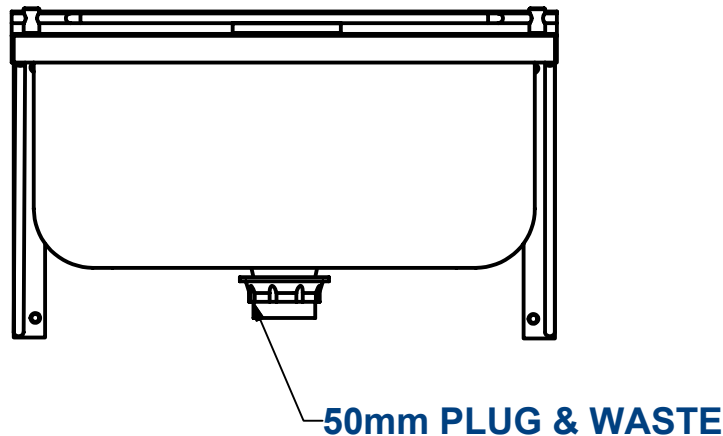
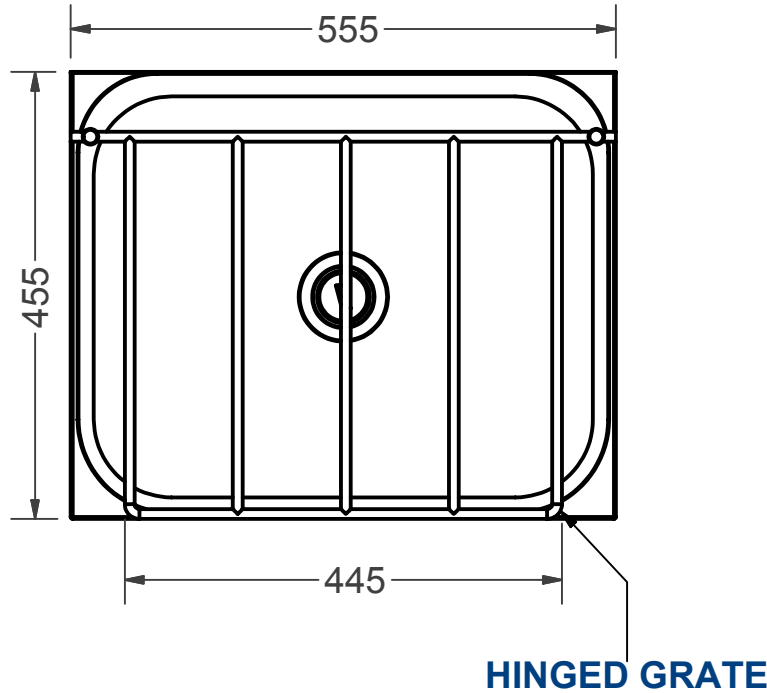
STAINLESS METAL CRAFT

6 BROMLEY ROAD EMU PLAINS 2750
PHONE: (02) 4735 5666 FAX: (02) 4735 7950
E-MAIL info@smcstainless.com.au
www.smcstainless.com.au

THE STAINLESS STEEL PEOPLE

(SINCE 1962)

MATERIAL - GRADE 304 STAINLESS STEEL



**SPECIFICATIONS -
STAINLESS STEEL CLEANERS SINK
SHALL BE MODEL CS-1 FROM
STAINLESS METAL CRAFT
PHONE: 02 4735 5666**

**DATA
SHEET**

ITEM: CLEANERS SINK

CODE: CS-1

DATE:

MAY - 2003

REV:

C

PAGE No:

103