

# STAINLESS METAL CRAFT

6 BROMLEY ROAD EMU PLAINS 2750  
PHONE: (02) 4735 5666 FAX: (02) 4735 7950  
E-MAIL [info@smcstainless.com.au](mailto:info@smcstainless.com.au)  
[www.smcstainless.com.au](http://www.smcstainless.com.au)

THE STAINLESS STEEL PEOPLE

(SINCE 1962)

MATERIAL - GRADE 304 STAINLESS STEEL

## IN FLOOR CLEANERS SINK

### OPTIONS

- \* AVAILABLE IN OTHER SIZES
- \* SPLASHBACK TO REAR & SIDES
- \* HOB TO SIDES



### \* TYPICAL USE

- DESIGNED TO BE RECESSED INTO FLOOR
- USED BY MAINTENANCE PEOPLE DURING CLEANING OPERATIONS
- BUCKET SITS ON GRATE FOR FILLING

**DATA  
SHEET**

**ITEM: IN FLOOR CLEANERS SINK**

**CODE: CS-2-FT**

**DATE:**

**JULY - 2005**

**REV:**

**C**

**PAGE No:**

**104**

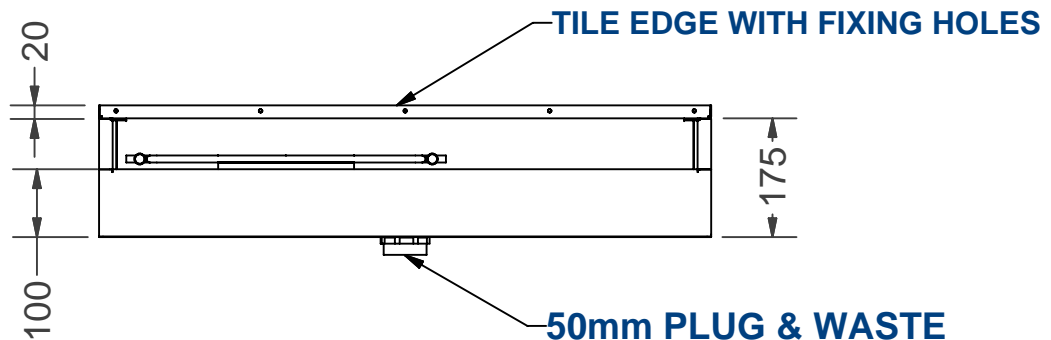
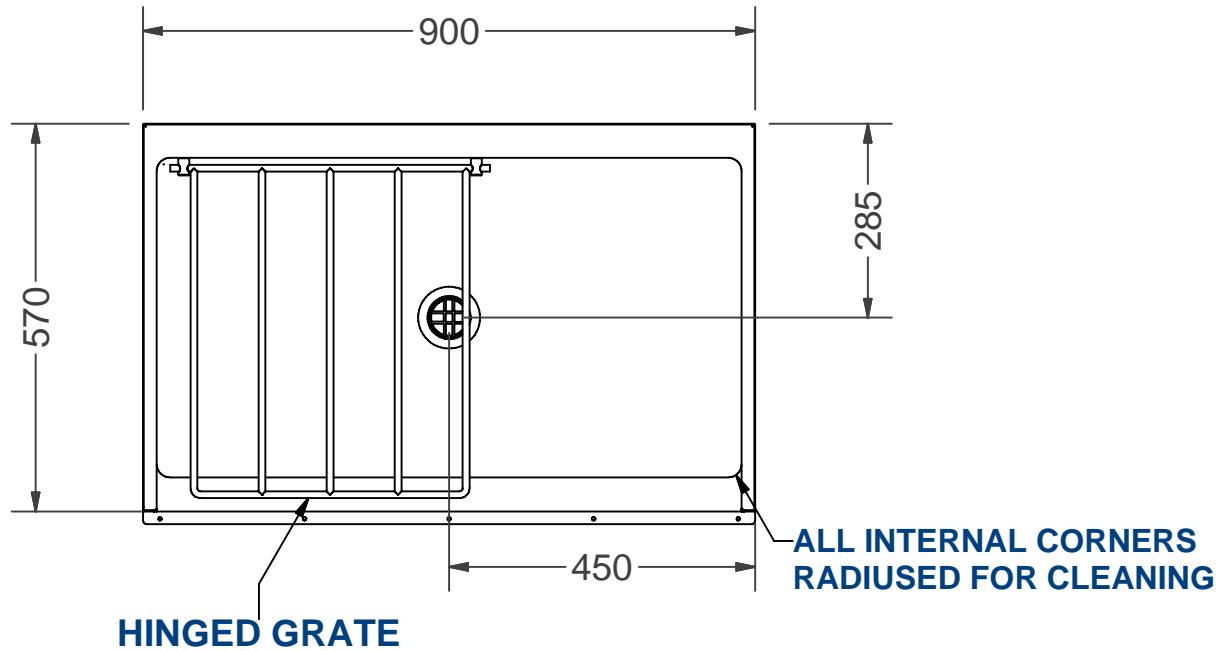
# STAINLESS METAL CRAFT

6 BROMLEY ROAD EMU PLAINS 2750  
PHONE: (02) 4735 5666 FAX: (02) 4735 7950  
E-MAIL [info@smcstainless.com.au](mailto:info@smcstainless.com.au)  
[www.smcstainless.com.au](http://www.smcstainless.com.au)

THE STAINLESS STEEL PEOPLE

(SINCE 1962)

MATERIAL - GRADE 304 STAINLESS STEEL



**SPECIFICATIONS -  
STAINLESS STEEL CLEANERS SINK  
SHALL BE MODEL CS-2-FT FROM  
STAINLESS METAL CRAFT  
PHONE: 02 4735 5666**

**DATA  
SHEET**

**ITEM: IN FLOOR CLEANERS SINK**

**CODE: CS-2-FT**

**DATE:**

**JULY - 2005**

**REV:**

**C**

**PAGE No:**

**104**