

# STAINLESS METAL CRAFT

6 BROMLEY ROAD EMU PLAINS 2750  
PHONE: (02) 4735 5666 FAX: (02) 4735 7950  
E-MAIL [info@smcstainless.com.au](mailto:info@smcstainless.com.au)  
[www.smcstainless.com.au](http://www.smcstainless.com.au)

THE STAINLESS STEEL PEOPLE

(SINCE 1962)

MATERIAL - GRADE 304 STAINLESS STEEL

## COMBINATION WASH BASIN AND BENCH

### OPTIONS

- \* TAPWARE
- \* SUPPORT FRAME
- \* CUPBOARD



TYPICAL DETENTION TAPWARE SHOWN  
FOR DISPLAY PURPOSE ONLY AND IS  
NOT INCLUDED UNLESS SPECIFIED

### \* TYPICAL USE :

- SECURITY BASIN AND UTILITY BENCH, WITH OPTIONAL TAPWARE.
- LOW MAINTENANCE WITH SUPERIOR VANDAL RESISTANCE
- GAOLS, JUVENILE JUSTICE CENTRES, COURT HOUSES, IMMIGRATION CENTRES,  
PSYCHIATRIC HOSPITALS.

**DATA  
SHEET**

**ITEM: COMBINATION WASH BASIN BENCH**

**CODE: CWB-1**

**DATE:**

**MARCH - 2003**

**REV:**

**C**

**PAGE No:**

**177**

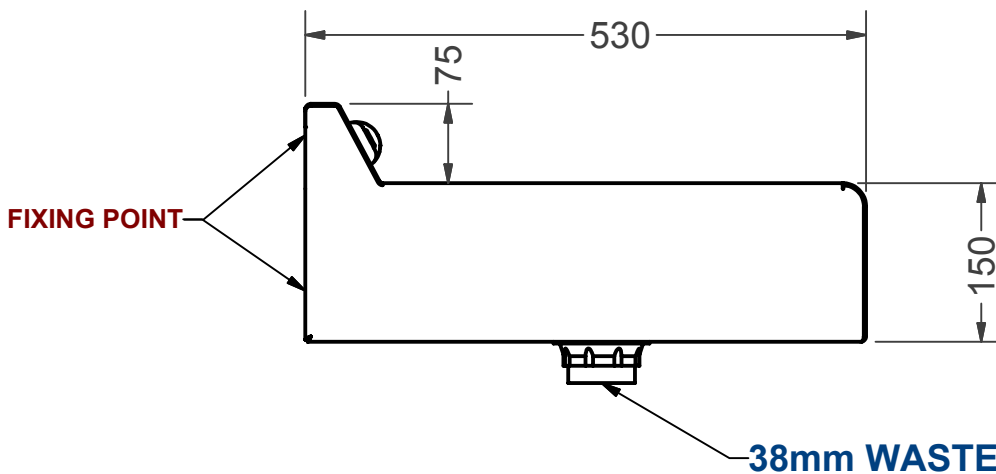
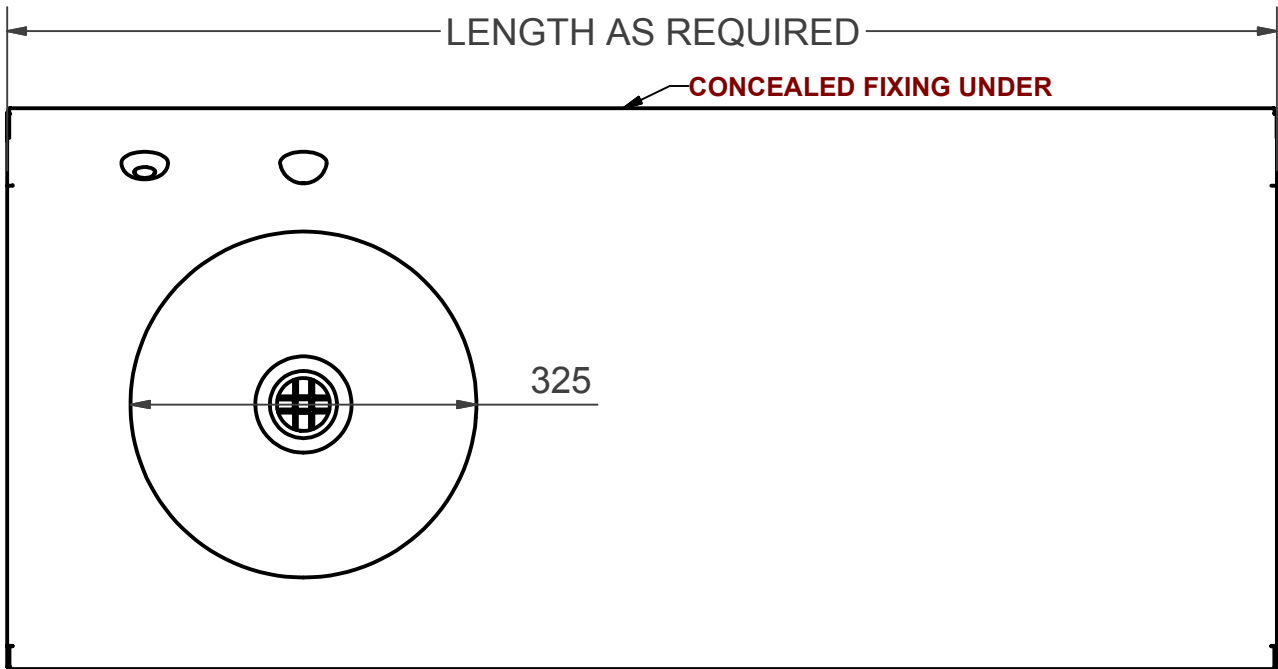
# STAINLESS METAL CRAFT

6 BROMLEY ROAD EMU PLAINS 2750  
PHONE: (02) 4735 5666 FAX: (02) 4735 7950  
E-MAIL [info@smcstainless.com.au](mailto:info@smcstainless.com.au)  
[www.smcstainless.com.au](http://www.smcstainless.com.au)

THE STAINLESS STEEL PEOPLE

(SINCE 1962)

MATERIAL - GRADE 304 STAINLESS STEEL  
BENCH 2mm THICK  
BOWL 1.6mm THICK



**SPECIFICATIONS -  
STAINLESS STEEL SECURITY WASH BASIN  
SHALL BE MODEL CWB-1 FROM  
STAINLESS METAL CRAFT  
PHONE: 02 4735 5666**

**DATA  
SHEET**

**ITEM: COMBINATION WASH BASIN BENCH**

**CODE: CWB-1**

**DATE:**

**MARCH - 2003**

**REV:**

**C**

**PAGE No:**

**177**