

STAINLESS METAL CRAFT

6 BROMLEY ROAD EMU PLAINS 2750
PHONE: (02) 4735 5666 FAX: (02) 4735 7950
E-MAIL info@smcstainless.com.au
www.smcstainless.com.au

THE STAINLESS STEEL PEOPLE

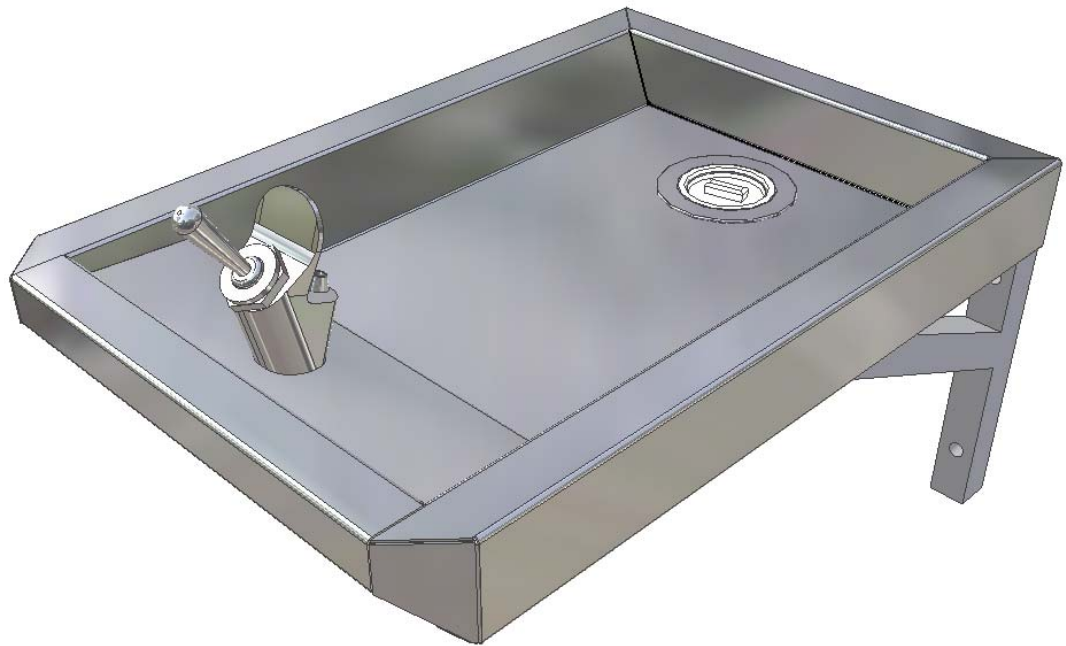
(SINCE 1962)

MATERIAL - GRADE 304 STAINLESS STEEL

DISABLED PERSONS DRINKING FOUNTAIN

OPTIONS

* OTHER STYLE BUBBLERS
AVAILABLE



BRACKETS SUPPLIED

* **TYPICAL USE :**
-- DRINKING FOUNTAIN FOR DISABLED
PERSONS -- TO AUSTRALIAN STANDARD
-- EDUCATIONAL FACILITIES

* **WHEEL CHAIR ACCESSIBLE**

**DATA
SHEET**

ITEM: DISABLED PERSONS DRINKING FOUNTAIN

CODE: DDF-1

DATE:

MARCH - 2003

REV:

C

PAGE No:

100

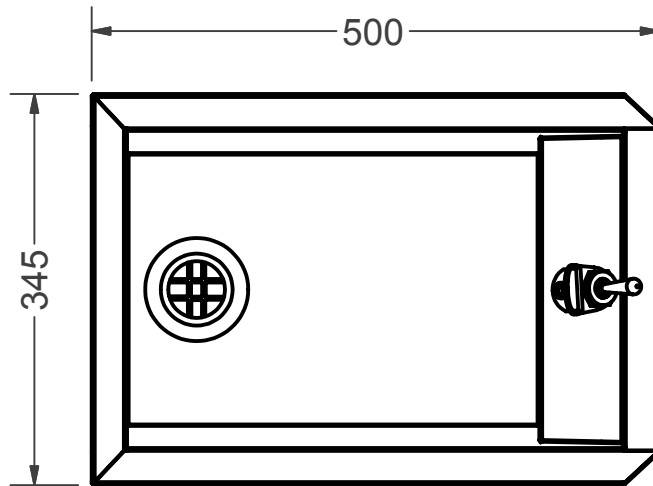
STAINLESS METAL CRAFT

6 BROMLEY ROAD EMU PLAINS 2750
PHONE: (02) 4735 5666 FAX: (02) 4735 7950
E-MAIL info@smcstainless.com.au
www.smcstainless.com.au

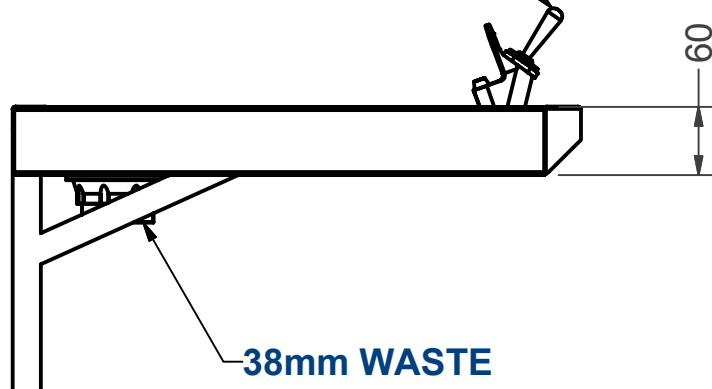
THE STAINLESS STEEL PEOPLE

(SINCE 1962)

MATERIAL - GRADE 304 STAINLESS STEEL



STANDARD BUBBLER IS LEVER ACTION



**SPECIFICATIONS -
STAINLESS STEEL DISABLED PERSONS
DRINKING FOUNTAIN
SHALL BE MODEL DDF-1 FROM
STAINLESS METAL CRAFT
PHONE: 02 4735 5666**

**DATA
SHEET**

ITEM: DISABLED PERSONS DRINKING FOUNTAIN

CODE: DDF-1

DATE:

MARCH - 2003

REV:

C

PAGE No:

100