

STAINLESS METAL CRAFT

6 BROMLEY ROAD EMU PLAINS 2750
PHONE: (02) 4735 5666 FAX: (02) 4735 7950
E-MAIL info@smcstainless.com.au
www.smcstainless.com.au

THE STAINLESS STEEL PEOPLE

(SINCE 1962)

MATERIAL - GRADE 304 STAINLESS STEEL

DISABLED PERSONS DROP DOWN RAIL



*** TYPICAL USE :**

-- HORIZONTAL ASSIST RAIL FOR USE IN
DISABLED PERSONS TOILETS -- HELD IN UPRIGHT
POSITION WHEN NOT IN USE

*** ANY LOCATION REQUIRING DISABLED PERSONS TOILETS**

**DATA
SHEET**

ITEM: DISABLED DROP DOWN RAIL

CODE: DDR-1

DATE:

APRIL - 2003

REV:

C

PAGE No:

99

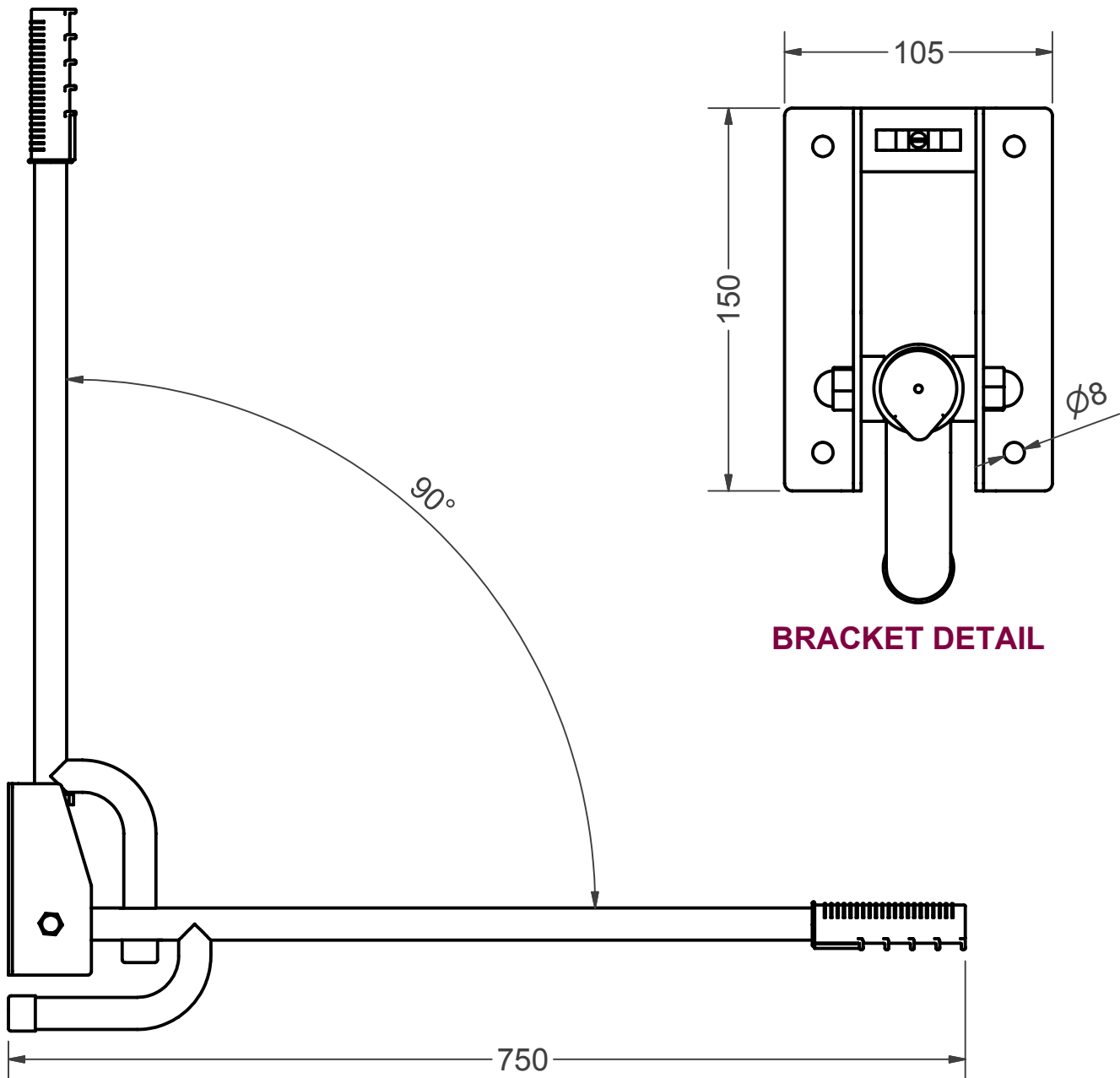
STAINLESS METAL CRAFT

6 BROMLEY ROAD EMU PLAINS 2750
PHONE: (02) 4735 5666 FAX: (02) 4735 7950
E-MAIL info@smcstainless.com.au
www.smcstainless.com.au

THE STAINLESS STEEL PEOPLE

(SINCE 1962)

MATERIAL - GRADE 304 STAINLESS STEEL



**SPECIFICATIONS -
STAINLESS STEEL DROP DOWN RAIL
SHALL BE MODEL DDR-1 FROM
STAINLESS METAL CRAFT
PHONE: 02 4735 5666**

**DATA
SHEET**

ITEM: DISABLED DROP DOWN RAIL

CODE: DDR-1

DATE:

APRIL - 2003

REV:

C

PAGE No:

99