

# STAINLESS METAL CRAFT

6 BROMLEY ROAD EMU PLAINS 2750  
PHONE: (02) 4735 5666 FAX: (02) 4735 7950  
E-MAIL [info@smcstainless.com.au](mailto:info@smcstainless.com.au)  
[www.smcstainless.com.au](http://www.smcstainless.com.au)

THE STAINLESS STEEL PEOPLE

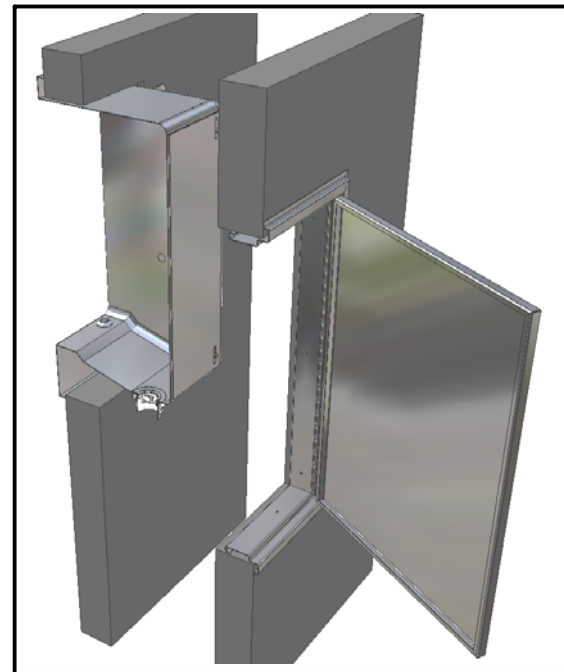
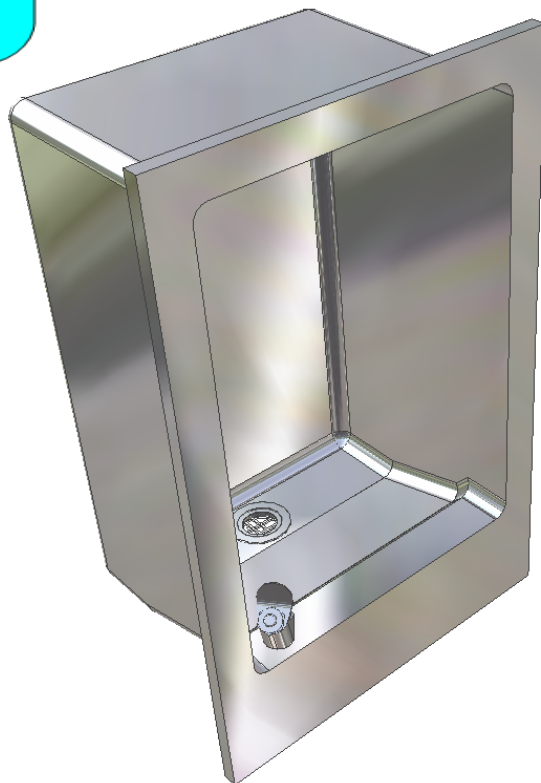
(SINCE 1962)

MATERIAL - GRADE 304 STAINLESS STEEL

## RECESSED DRINKING FOUNTAIN

### OPTIONS

- \* MARINE GRADE 316
- \* CARAFE FILLER
- \* REAR SERVICE ACCESS PANEL (AS ILLUSTRATED)



\* **TYPICAL USE -**  
-- EASY MAINTENANCE DRINKING FOUNTAIN -- VANDAL RESISTANT.

\* **PUBLIC AMENITIES** eg COUNCILS / SCHOOLS / INDUSTRY  
\* **LOW SECURITY DETENTION FACILITIES**

**DATA  
SHEET**

**ITEM: RECESSED DRINKING FOUNTAIN**

**CODE: DF-SC103**

<b>DATE:</b>	<b>SEPTEMBER - 2003</b>
<b>REV:</b>	<b>C</b>
<b>PAGE No:</b>	<b>92</b>

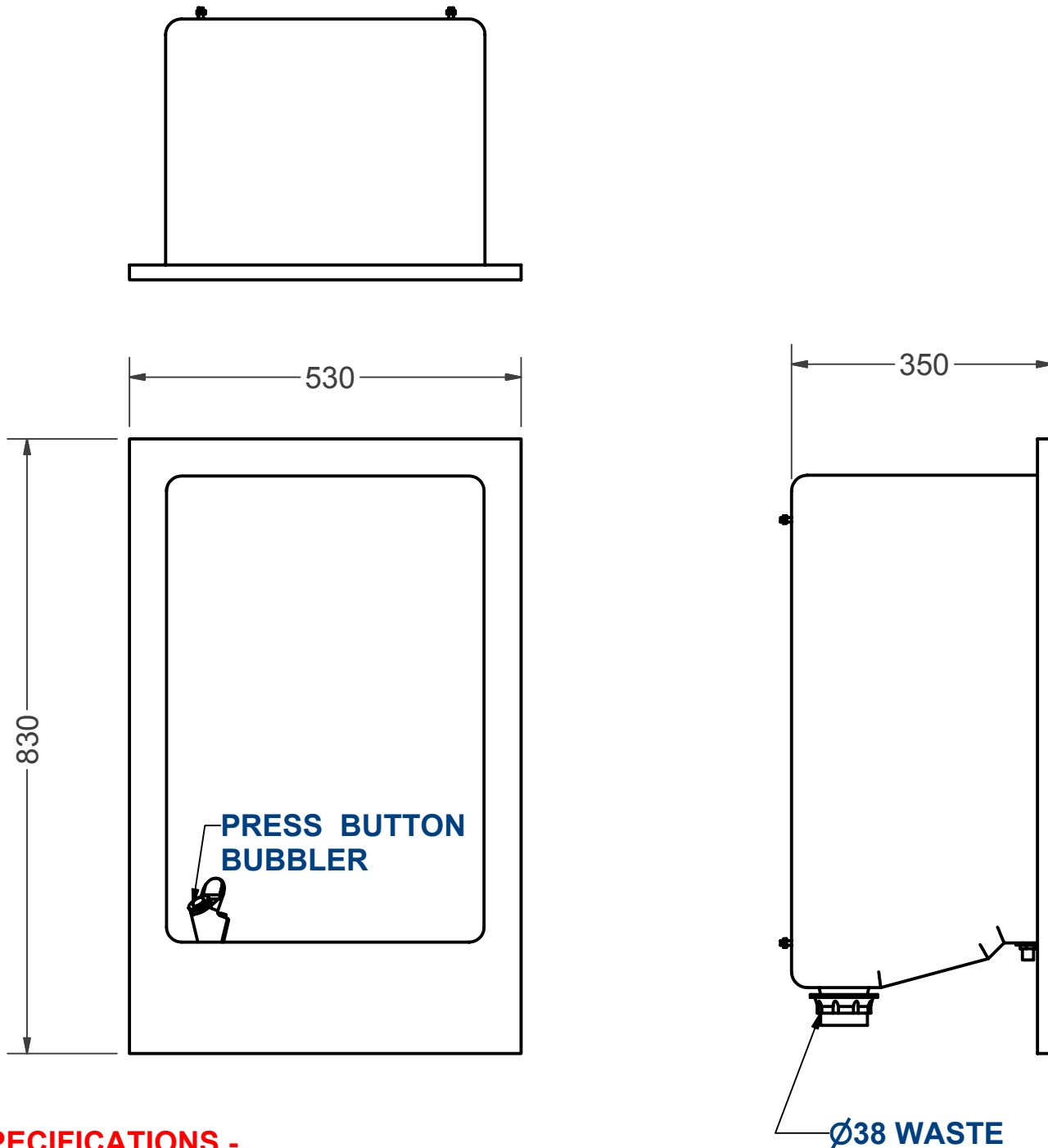
# STAINLESS METAL CRAFT

6 BROMLEY ROAD EMU PLAINS 2750  
PHONE: (02) 4735 5666 FAX: (02) 4735 7950  
E-MAIL [info@smcstainless.com.au](mailto:info@smcstainless.com.au)  
[www.smcstainless.com.au](http://www.smcstainless.com.au)

THE STAINLESS STEEL PEOPLE

(SINCE 1962)

MATERIAL - GRADE 304 STAINLESS STEEL



**SPECIFICATIONS -  
STAINLESS STEEL DRINKING FOUNTAIN  
SHALL BE MODEL SC-103  
STAINLESS METAL CRAFT  
PHONE: 02 4735 5666**

**DATA  
SHEET**

**ITEM: RECESSED DRINKING FOUNTAIN**

**CODE: DF-SC103**

**DATE:**

**SEPTEMBER - 2003**

**REV:**

**C**

**PAGE No:**

**92**