

STAINLESS METAL CRAFT

6 BROMLEY ROAD EMU PLAINS 2750
PHONE: (02) 4735 5666 FAX: (02) 4735 7950
E-MAIL info@smcstainless.com.au
www.smcstainless.com.au

THE STAINLESS STEEL PEOPLE

(SINCE 1962)

MATERIAL - GRADE 304 STAINLESS STEEL

LAUNDRY TUB

OPTIONS

- * SIDE HOB MOUNTED TAPWARE
- * KEY LOCKED STANDARD OR MASTER KEYED



* TYPICAL USE :

- DETENTION LAUNDRY TUB,
- LOW MAINTENANCE WITH SUPERIOR VANDAL RESISTANCE
- GAOLS, JUVENILE JUSTICE CENTRES, IMMIGRATION CENTRES, PSYCHIATRIC HOSPITALS.

DATA SHEET

ITEM: DETENTION LAUNDRY TUB

CODE: DLT-1

DATE:

MARCH - 2003

REV:

C

PAGE No:

188

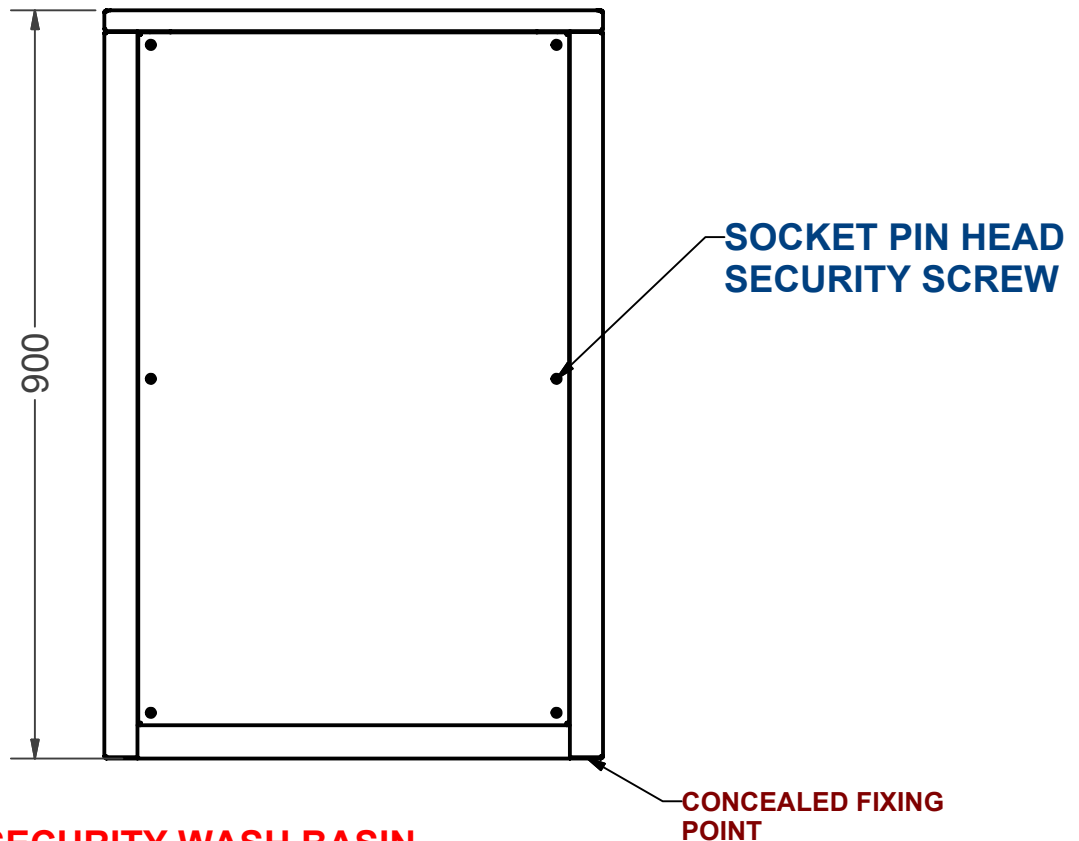
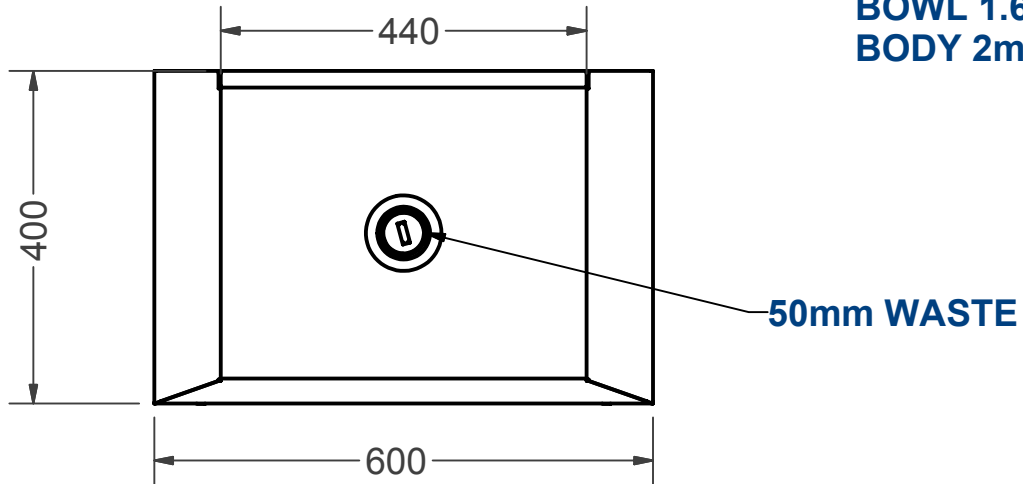
STAINLESS METAL CRAFT

6 BROMLEY ROAD EMU PLAINS 2750
PHONE: (02) 4735 5666 FAX: (02) 4735 7950
E-MAIL info@smcstainless.com.au
www.smcstainless.com.au

THE STAINLESS STEEL PEOPLE

(SINCE 1962)

MATERIAL - GRADE 304 STAINLESS STEEL
BOWL 1.6mm THICK
BODY 2mm THICK



**SPECIFICATIONS -
STAINLESS STEEL SECURITY WASH BASIN
SHALL BE MODEL DLT-1 FROM
STAINLESS METAL CRAFT
PHONE: 02 4735 5666**

**DATA
SHEET**

ITEM: DETENTION LAUNDRY TUB

CODE: DLT-1

DATE:

MARCH - 2003

REV:

C

PAGE No:

188