

STAINLESS METAL CRAFT

6 BROMLEY ROAD EMU PLAINS 2750
PHONE: (02) 4735 5666 FAX: (02) 4735 7950
E-MAIL info@smcstainless.com.au
www.smcstainless.com.au

THE STAINLESS STEEL PEOPLE

(SINCE 1962)

MATERIAL - GRADE 316 STAINLESS STEEL

DRIP SINK TUNDISH



* TYPICAL USE
-- BENCH MOUNTED TUNDISH

**DATA
SHEET**

ITEM: DRIP SINK TUNDISH

CODE: DS-1-100

DATE:

FEBRUARY - 2004

REV:

C

PAGE No:

150

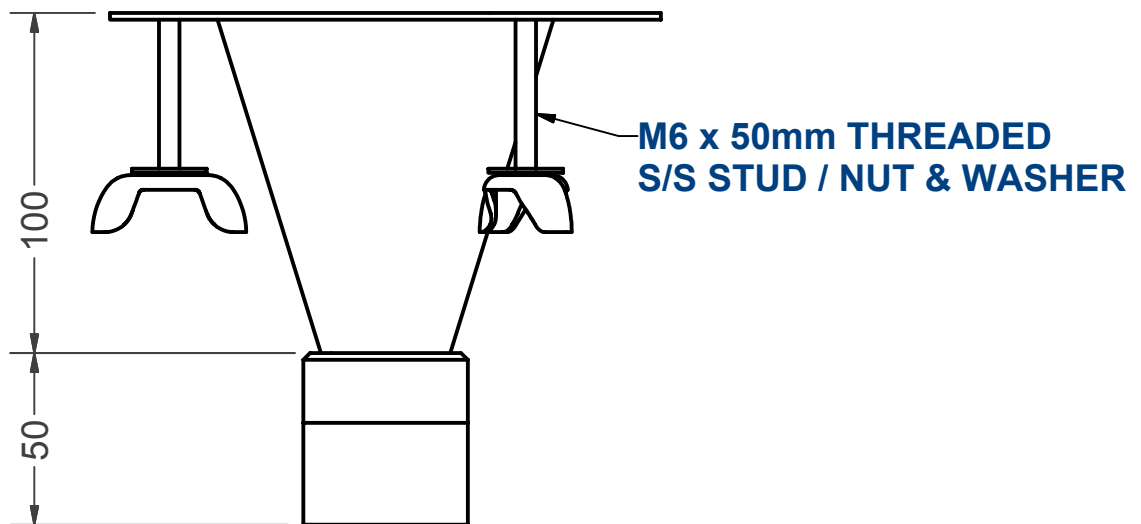
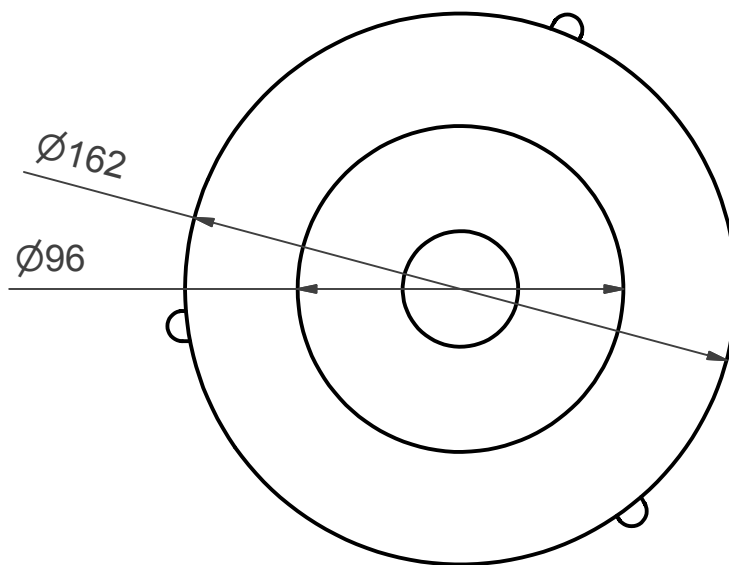
STAINLESS METAL CRAFT

6 BROMLEY ROAD EMU PLAINS 2750
PHONE: (02) 4735 5666 FAX: (02) 4735 7950
E-MAIL info@smcstainless.com.au
www.smcstainless.com.au

THE STAINLESS STEEL PEOPLE

(SINCE 1962)

MATERIAL - GRADE 316 STAINLESS STEEL



**SPECIFICATIONS -
STAINLESS STEEL BENCH MOUNTED TUNDISH
SHALL BE MODEL DS-1-100 FROM
STAINLESS METAL CRAFT
PHONE: 02 4735 5666**

**DATA
SHEET**

ITEM: DRIP SINK TUNDISH

CODE: DS-1-100

DATE:

FEBRUARY - 2004

REV:

C

PAGE No:

150