

# STAINLESS METAL CRAFT

6 BROMLEY ROAD EMU PLAINS 2750  
PHONE: (02) 4735 5666 FAX: (02) 4735 7950  
E-MAIL [info@smcstainless.com.au](mailto:info@smcstainless.com.au)  
[www.smcstainless.com.au](http://www.smcstainless.com.au)

THE STAINLESS STEEL PEOPLE

(SINCE 1962)

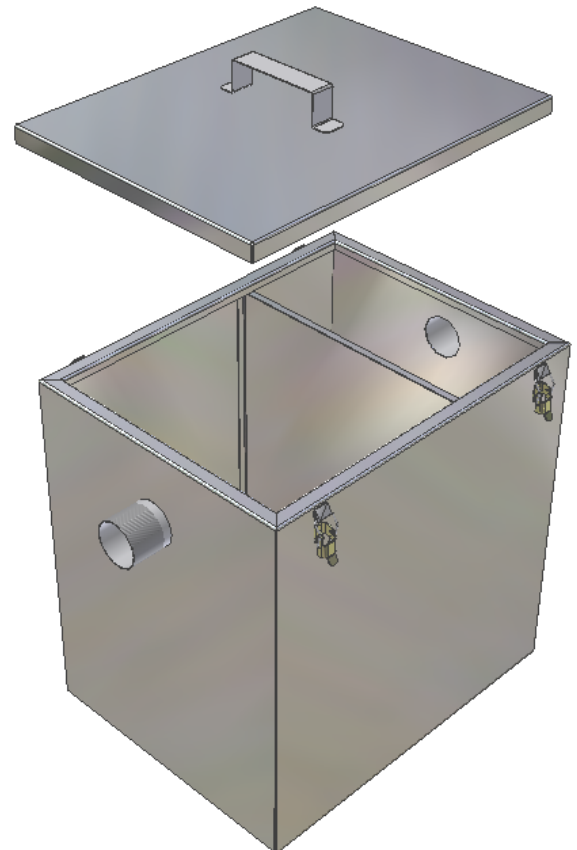
MATERIAL - GRADE 304 STAINLESS STEEL

## DILUTION TANK



### OPTIONS

\* MARINE GRADE 316



\* TYPICAL USE -  
-- COOLING / MIXING / BALANCING /  
AVERAGING OF LIQUIDS PRIOR TO  
DISCHARGE TO SEWER

DATA  
SHEET

ITEM: DILUTION TANK

CODE: DT-1

DATE:

OCTOBER - 2003

REV:

C

PAGE No:

39

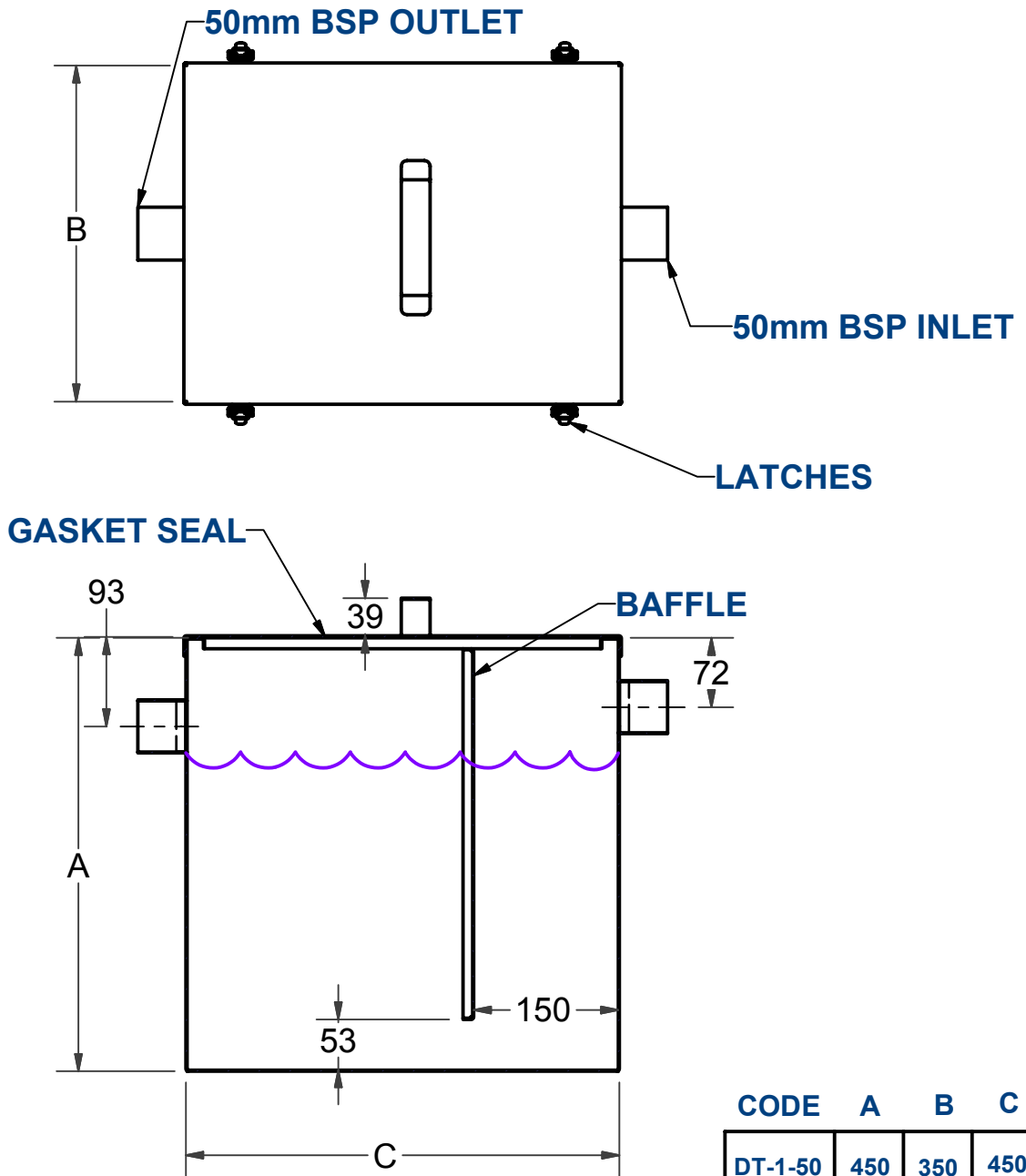
# STAINLESS METAL CRAFT

6 BROMLEY ROAD EMU PLAINS 2750  
 PHONE: (02) 4735 5666 FAX: (02) 4735 7950  
 E-MAIL [info@smcstainless.com.au](mailto:info@smcstainless.com.au)  
[www.smcstainless.com.au](http://www.smcstainless.com.au)

THE STAINLESS STEEL PEOPLE

(SINCE 1962)

MATERIAL - GRADE 304 STAINLESS STEEL



CODE	A	B	C	LITRES
DT-1-50	450	350	450	55
DT-1-75	450	450	500	74+
DT-1-100	450	500	600	99+
DT-1-150	550	600	600	155

**SPECIFICATIONS -  
 STAINLESS STEEL DILUTION TANK  
 SHALL BE MODEL DT1 FROM  
 STAINLESS METAL CRAFT  
 PHONE: 02 4735 5666**

**DATA SHEET**

**ITEM: DILUTION TANK**

**CODE: DT-1**

**DATE: OCTOBER - 2003**  
**REV: C PAGE No: 39**