

STAINLESS METAL CRAFT

6 BROMLEY ROAD EMU PLAINS 2750
PHONE: (02) 4735 5666 FAX: (02) 4735 7950
E-MAIL info@smcstainless.com.au
www.smcstainless.com.au

THE STAINLESS STEEL PEOPLE

(SINCE 1962)

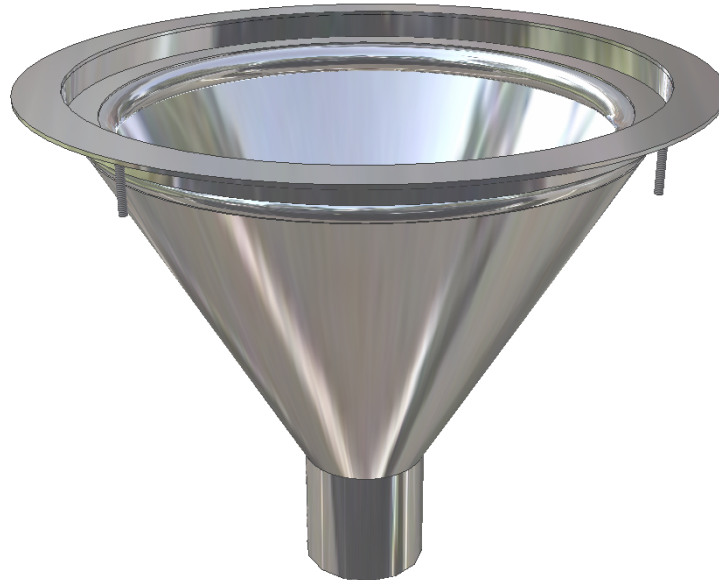
MATERIAL - GRADE 304 STAINLESS STEEL

FLUSHLINE FLUSHING SINK



OPTIONS

- * 100mm UNIVERSAL "S" TRAP REFER TO PAGE 111
- * LID
- * SQUARE BOWL ALSO AVAILABLE CODE FFB-2 (AS ILLUSTRATED)



- * **TYPICAL USE -**
 - DIRTY UTILITY ROOMS - INSERT INTO BENCH TOP.
 - USE INSTEAD OF A SLOP HOPPER.

- * **NURSING HOMES / HOSPITALS / DAY SURGERY / PRE SCHOOLS**

**DATA
SHEET**

ITEM: FLUSHLINE FLUSHING SINK

CODE: FFB-1

DATE:	SEPTEMBER - 2003
REV:	C

PAGE No: 111

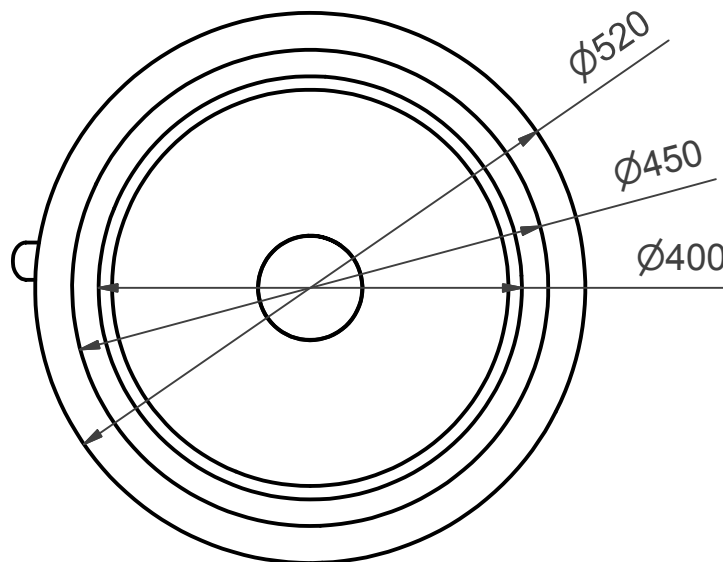
STAINLESS METAL CRAFT

6 BROMLEY ROAD EMU PLAINS 2750
PHONE: (02) 4735 5666 FAX: (02) 4735 7950
E-MAIL info@smcstainless.com.au
www.smcstainless.com.au

THE STAINLESS STEEL PEOPLE

(SINCE 1962)

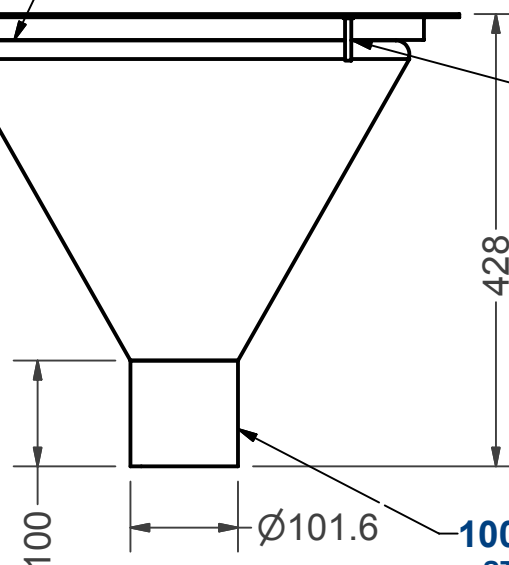
MATERIAL - GRADE 304 STAINLESS STEEL



WATER CONNECTION 25mm BSP
LOCATION AS REQUIRED

25mm DIA FLUSHING RIM

FIXING STUDS



100 OR 50mm WASTE
-- STAINLESS STEEL
S or P TRAP AVAILABLE

DATA
SHEET

ITEM: FLUSHLINE FLUSHING SINK

CODE: FFB-1

DATE:

SEPTEMBER - 2003

REV:

C

PAGE No:

111