

# STAINLESS METAL CRAFT

6 BROMLEY ROAD EMU PLAINS 2750  
PHONE: (02) 4735 5666 FAX: (02) 4735 7950  
E-MAIL [info@smcstainless.com.au](mailto:info@smcstainless.com.au)  
[www.smcstainless.com.au](http://www.smcstainless.com.au)

THE STAINLESS STEEL PEOPLE

(SINCE 1962)

MATERIAL - GRADE 304 STAINLESS STEEL

## FLUSHING FLOOR WASTE

### OPTIONS

- \* MARINE GRADE 316
- \* RUBBER O RING CONNECTION TO SUIT VARIOUS DRAINAGE SIZES
- \* VARIOUS GRATES AVAILABLE FROM OUR TG SERIES SEE PAGES 4 - 10
- \* HINGED LID



- \* TYPICAL USE -
  - MORTUARY
  - RENIAL DIALYSIS
  - OPERATING THEATRE [ HUMAN & VETERINARY ]
  - FOOD PROCESSING

**DATA SHEET**

**ITEM: FLUSHING FLOOR WASTE**

**CODE: FFW-1**

**DATE:**

**OCTOBER - 2003**

**REV:**

**C**

**PAGE No:**

**34**

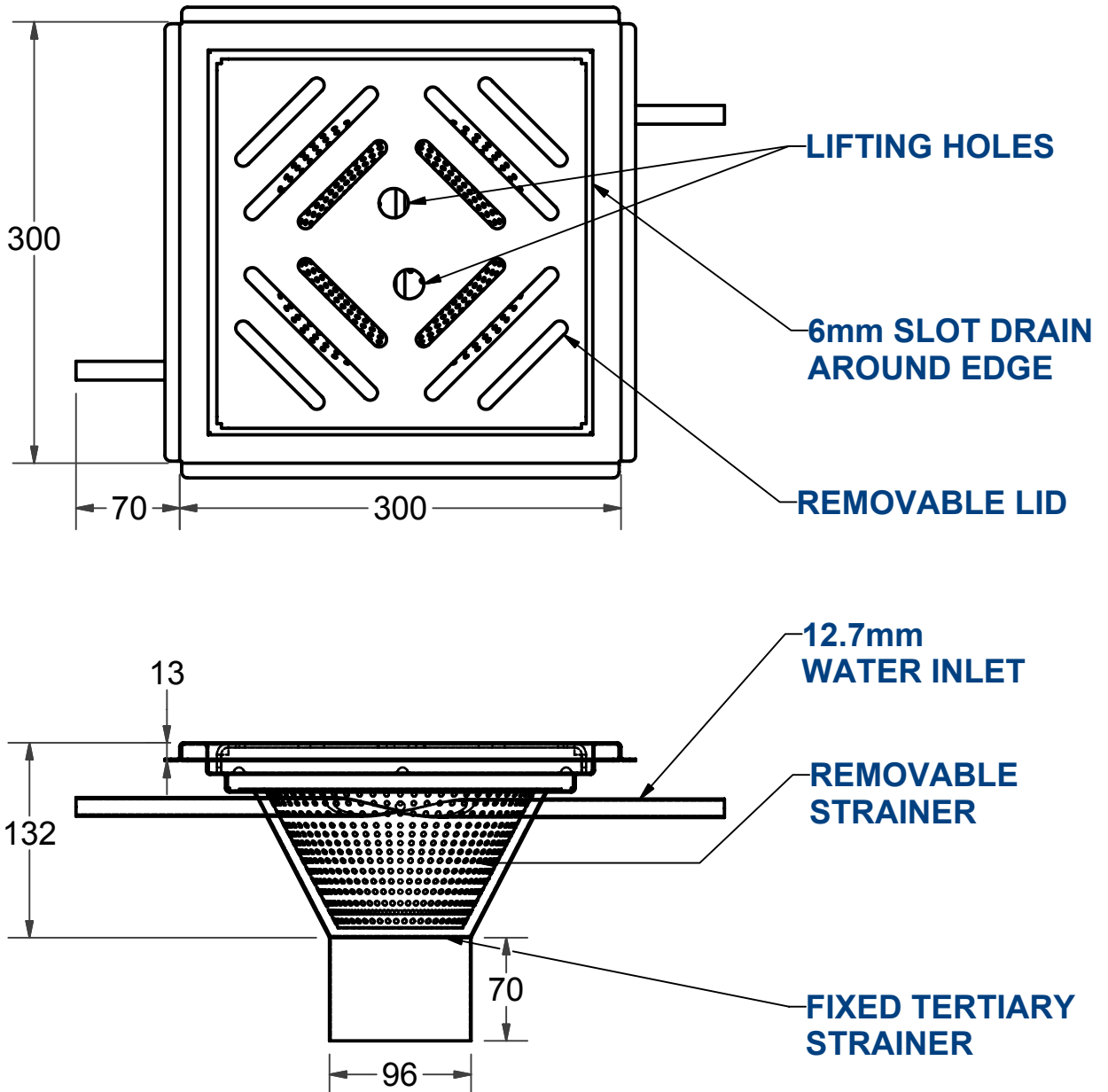
# STAINLESS METAL CRAFT

6 BROMLEY ROAD EMU PLAINS 2750  
 PHONE: (02) 4735 5666 FAX: (02) 4735 7950  
 E-MAIL [info@smcstainless.com.au](mailto:info@smcstainless.com.au)  
[www.smcstainless.com.au](http://www.smcstainless.com.au)

THE STAINLESS STEEL PEOPLE

(SINCE 1962)

MATERIAL - GRADE 304 STAINLESS STEEL  
 ---- LOADING: CLASS A



**SPECIFICATIONS -  
 STAINLESS STEEL FLUSHING FLOOR WASTE  
 SHALL BE MODEL FFW-1 FROM  
 STAINLESS METAL CRAFT  
 PHONE: 02 4735 5666**

**DATA SHEET**

**ITEM: FLUSHING FLOOR WASTE**

**CODE: FFW-1**

DATE:	OCTOBER - 2003
REV:	C PAGE No: 34