

STAINLESS METAL CRAFT

6 BROMLEY ROAD EMU PLAINS 2750
PHONE: (02) 4735 5666 FAX: (02) 4735 7950
E-MAIL info@smcstainless.com.au
www.smcstainless.com.au

THE STAINLESS STEEL PEOPLE

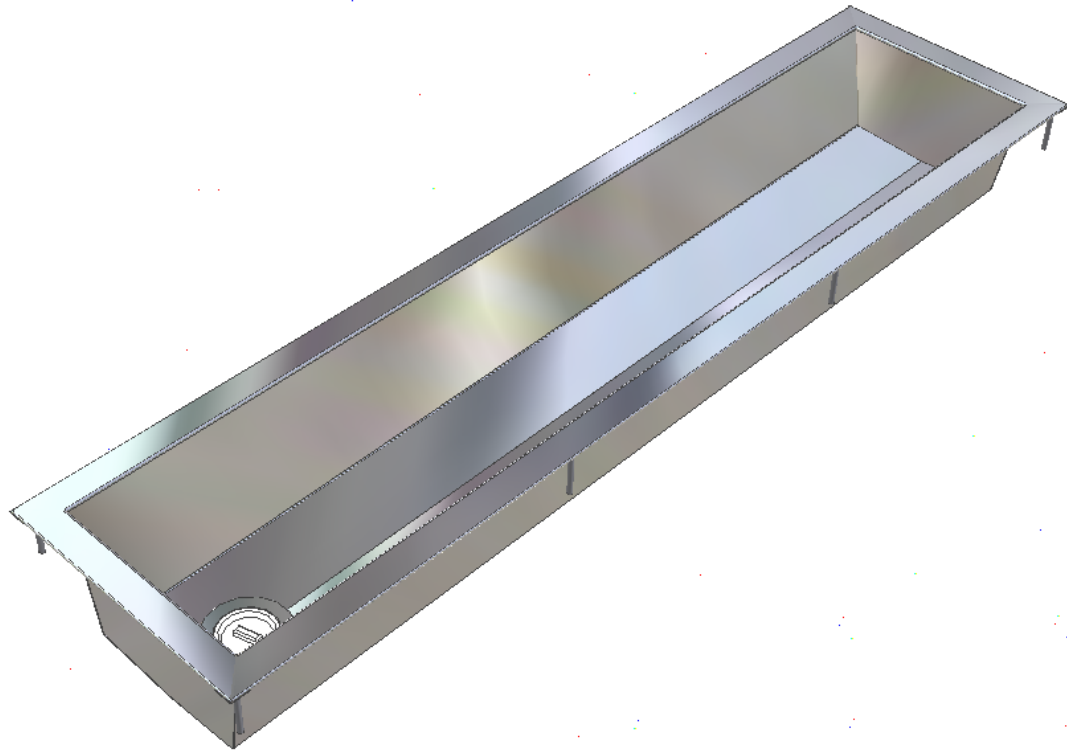
(SINCE 1962)

MATERIAL - GRADE 304 STAINLESS STEEL

FLUSHLINE TROUGH

OPTIONS

* END OR CENTRE OUTLET



* TYPICAL USE
-- ART / CRAFT - PRACTICAL ACTIVITIES

* SCHOOLS , PRE-SCHOOLS

**DATA
SHEET**

ITEM: FLUSHLINE TROUGH

CODE: FLT-1

DATE:

MARCH - 2003

REV:

C

PAGE No:

78

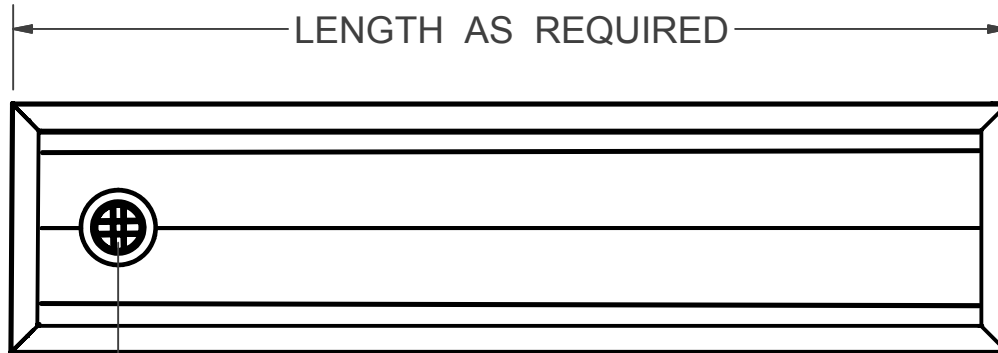
STAINLESS METAL CRAFT

6 BROMLEY ROAD EMU PLAINS 2750
PHONE: (02) 4735 5666 FAX: (02) 4735 7950
E-MAIL info@smcstainless.com.au
www.smcstainless.com.au

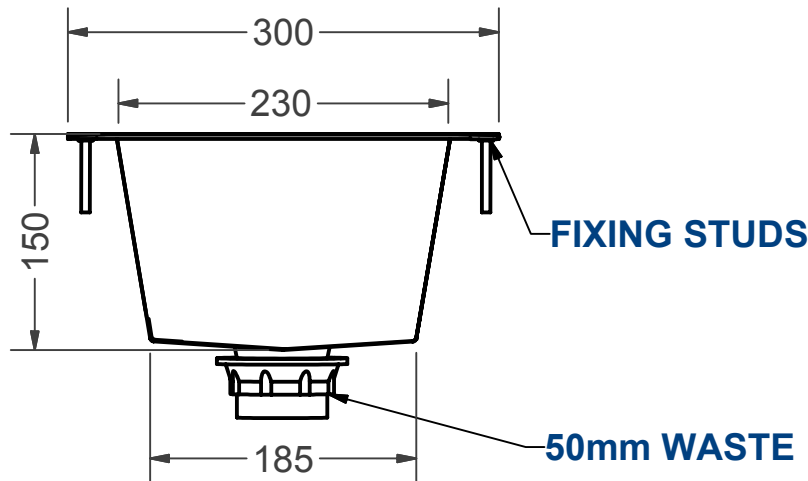
THE STAINLESS STEEL PEOPLE

(SINCE 1962)

MATERIAL - GRADE 304 STAINLESS STEEL



**125 MINIMUM
END OUTLET PREFERRED**



**SPECIFICATIONS -
STAINLESS STEEL FLUSHLINE TROUGH
SHALL BE MODEL FLT-1 FROM
STAINLESS METAL CRAFT
PHONE: 02 4735 5666**

**DATA
SHEET**

ITEM: FLUSHLINE TROUGH

CODE: FLT-1

DATE:

MARCH - 2003

REV:

C

PAGE No:

78