

STAINLESS METAL CRAFT

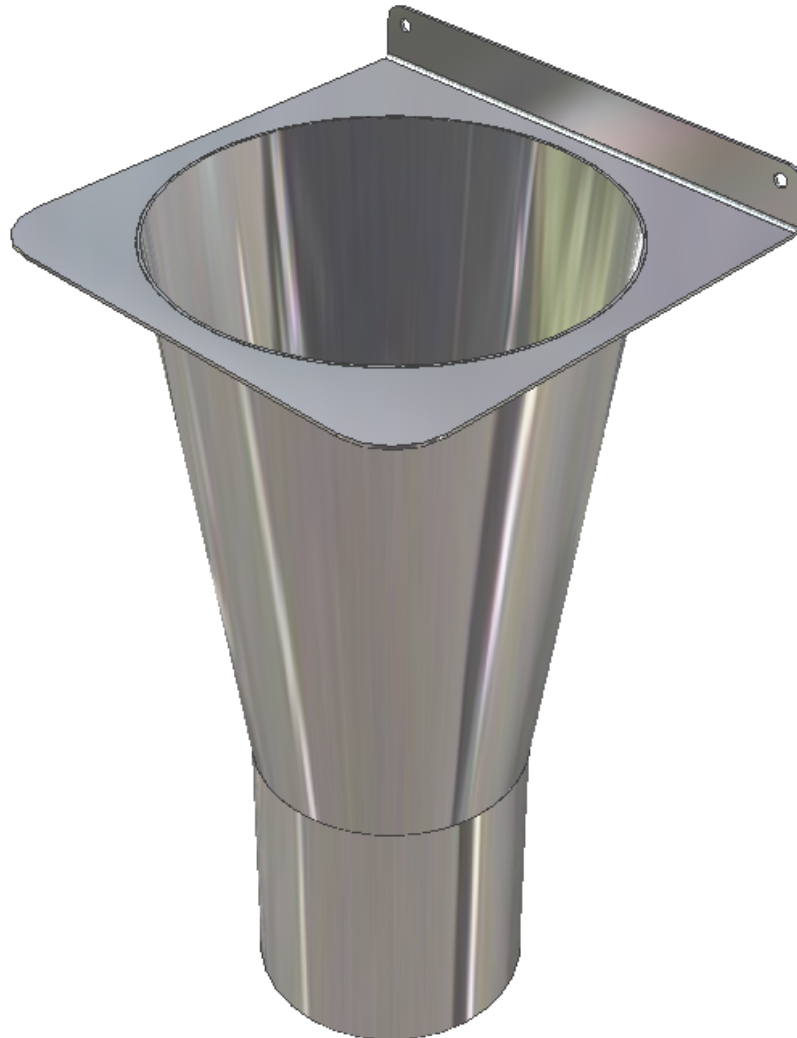
6 BROMLEY ROAD EMU PLAINS 2750
PHONE: (02) 4735 5666 FAX: (02) 4735 7950
E-MAIL info@smcstainless.com.au
www.smcstainless.com.au

THE STAINLESS STEEL PEOPLE

(SINCE 1962)

MATERIAL - GRADE 304 STAINLESS STEEL

FLOOR MOUNTED TUNDISH



OPTIONS

* MARINE GRADE 316

* TYPICAL USE :

-- FLOOR MOUNTED DISCHARGE COLLECTION POINT FOR CONDENSATE / WATER

DATA
SHEET

ITEM: FLOOR MOUNTED TUNDISH

CODE: FMT-6

DATE:

FEBRUARY - 2004

REV:

C

PAGE No:

160

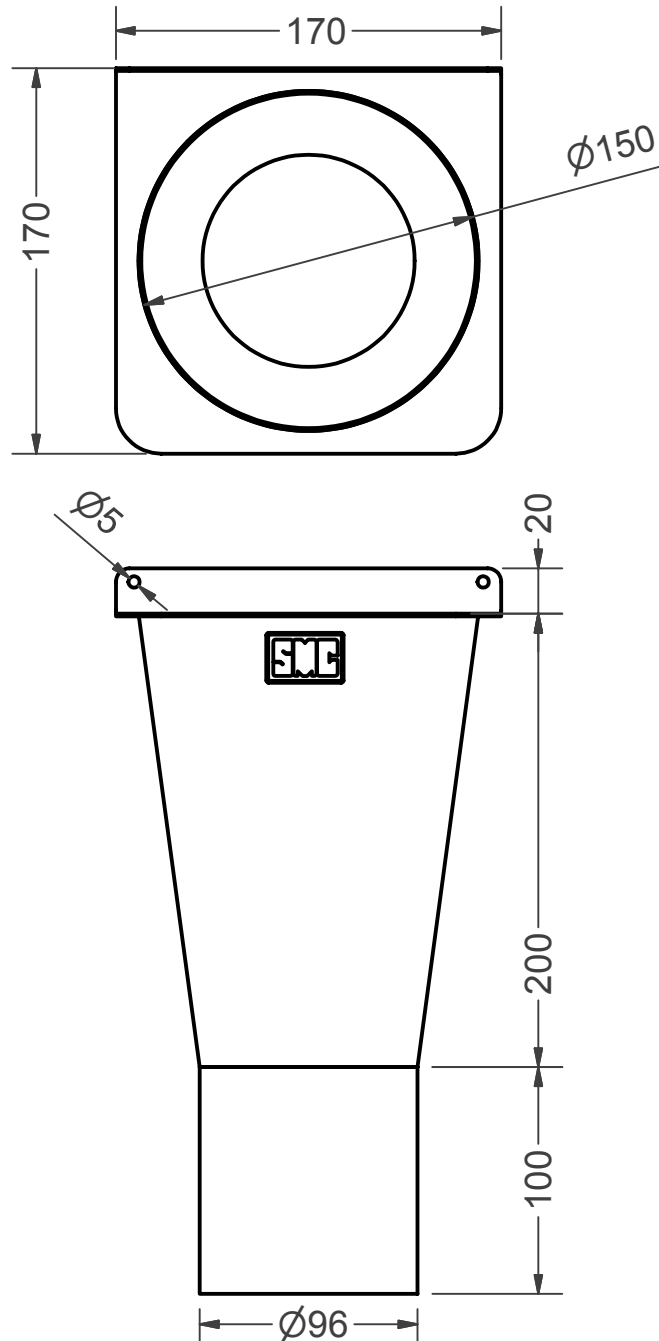
STAINLESS METAL CRAFT

6 BROMLEY ROAD EMU PLAINS 2750
PHONE: (02) 4735 5666 FAX: (02) 4735 7950
E-MAIL info@smcstainless.com.au
www.smcstainless.com.au

THE STAINLESS STEEL PEOPLE

(SINCE 1962)

MATERIAL - GRADE 304 STAINLESS STEEL



**SPECIFICATIONS -
STAINLESS STEEL WALL MOUNTED TUNDISH
SHALL BE MODEL FMT-6 FROM
STAINLESS METAL CRAFT
PHONE: 02 4735 5666**

**DATA
SHEET**

ITEM: FLOOR MOUNTED TUNDISH

CODE: FMT-6

DATE:

FEBRUARY - 2004

REV:

C

PAGE No:

160