

STAINLESS METAL CRAFT

6 BROMLEY ROAD EMU PLAINS 2750
PHONE: (02) 4735 5666 FAX: (02) 4735 7950
E-MAIL info@smcstainless.com.au
www.smcstainless.com.au

THE STAINLESS STEEL PEOPLE

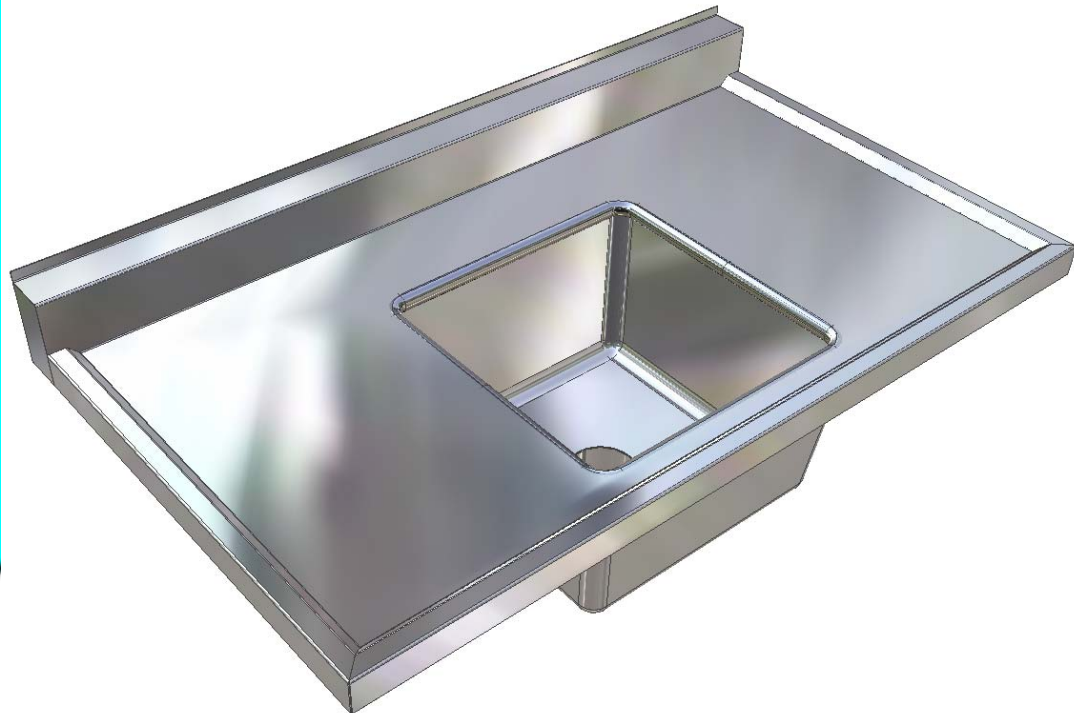
(SINCE 1962)

MATERIAL - GRADE 304 STAINLESS STEEL

FLUSHING SINK

OPTIONS

- * BRACKETS LEGS OR FULL FRAME
- * TAP HOLES AS REQUIRED
- * BOWL LOCATION MAY BE LEFT RIGHT OR CENTRE
- * 100mm UNIVERSAL "S" TRAP REFER TO PAGE 111
- * SPLASBACK TO REAR AND SIDES - VARIABLE HEIGHT
- * EXPOSED INLET



* TYPICAL USE -
-- DIRTY UTILITY ROOMS

-- USE INSTEAD OF A SLOP HOPPER.

* NURSING HOMES / HOSPITALS / DAY SURGERY / PRE SCHOOLS

DATA SHEET

ITEM: FLUSHING SINK

CODE: FS-1

DATE:

MAY - 2003

REV:

C

PAGE No:

109

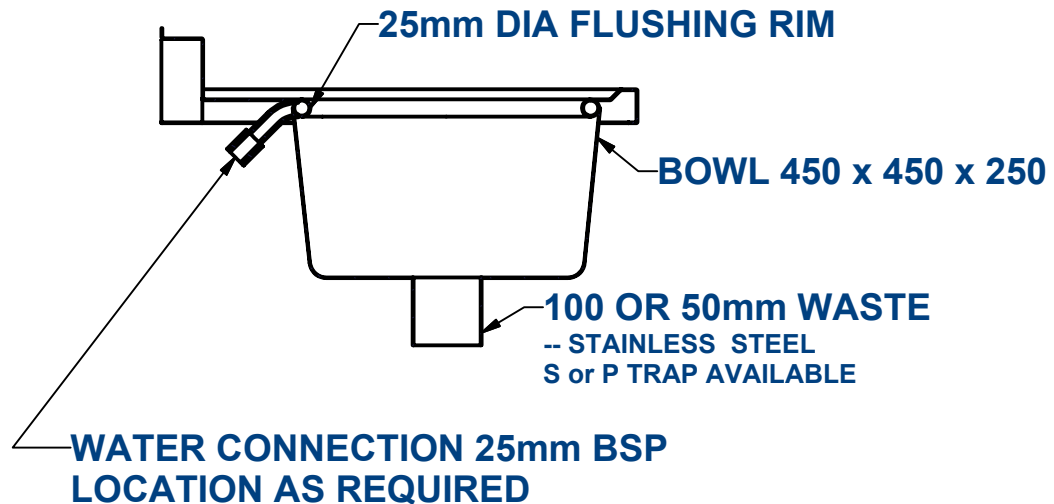
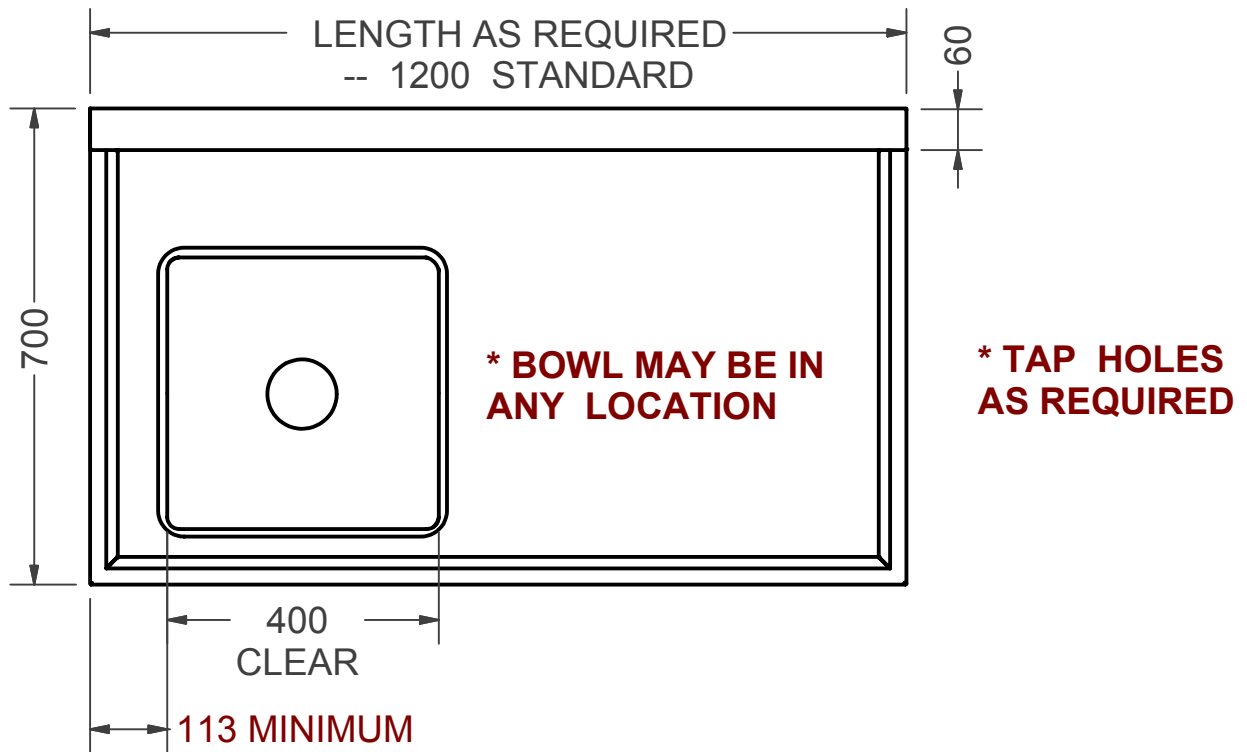
STAINLESS METAL CRAFT

6 BROMLEY ROAD EMU PLAINS 2750
 PHONE: (02) 4735 5666 FAX: (02) 4735 7950
 E-MAIL info@smcstainless.com.au
www.smcstainless.com.au

THE STAINLESS STEEL PEOPLE

(SINCE 1962)

MATERIAL - GRADE 304 STAINLESS STEEL



**SPECIFICATIONS -
 STAINLESS STEEL FLUSHING SINK
 SHALL BE MODEL FS-1 FROM
 STAINLESS METAL CRAFT
 PHONE: 02 4735 5666**

DATA SHEET

ITEM: FLUSHING SINK

CODE: FS-1

DATE:

MAY - 2003

REV:

C

PAGE No:

109