

STAINLESS METAL CRAFT

6 BROMLEY ROAD EMU PLAINS 2750
PHONE: (02) 4735 5666 FAX: (02) 4735 7950
E-MAIL info@smcstainless.com.au
www.smcstainless.com.au

THE STAINLESS STEEL PEOPLE

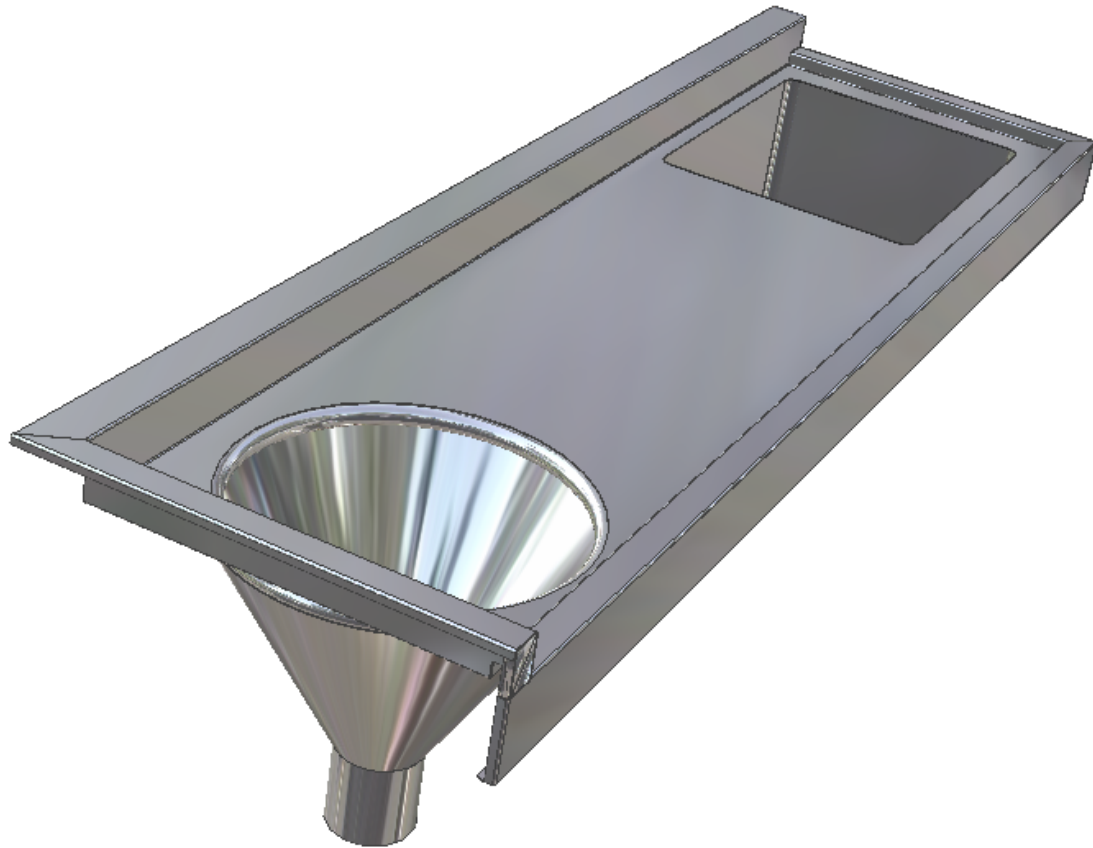
(SINCE 1962)

MATERIAL - GRADE 304 STAINLESS STEEL

FLUSHING SINK

OPTIONS

- * BRACKETS & LEGS OR FULL FRAME
- * TAP HOLES AS REQUIRED
- * BOWL LOCATION MAY BE LEFT RIGHT OR CENTRE
- * 100mm UNIVERSAL "S" TRAP REFER TO PAGE 111
- * SPLASBACK TO REAR AND SIDES - VARIABLE HEIGHT
- * EXPOSED INLET



- * **TYPICAL USE -**
 - DIRTY UTILITY ROOMS
 - USE INSTEAD OF A SLOP HOPPER.
- * **NURSING HOMES / HOSPITALS / DAY SURGERY**

DATA SHEET

ITEM: FLUSHING SINK & BOWL

CODE: FS-2

DATE:

FEBRUARY - 2003

REV:

C

PAGE No:

110

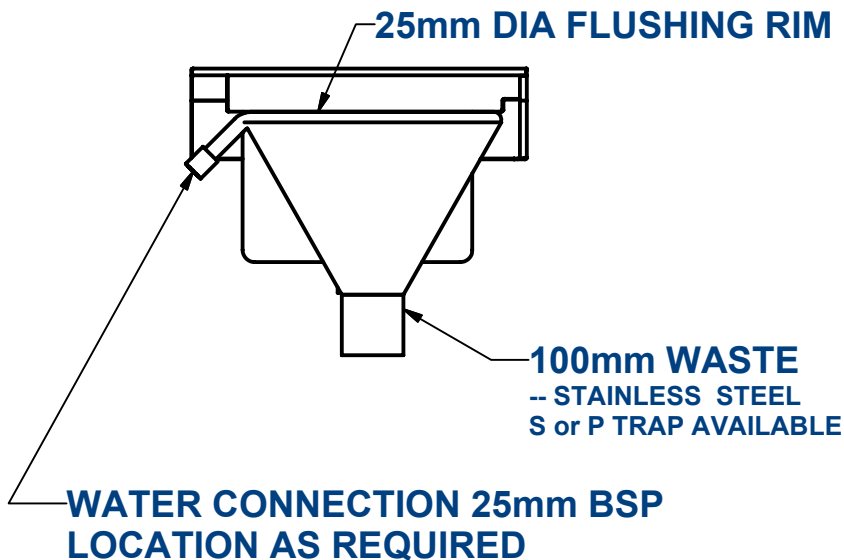
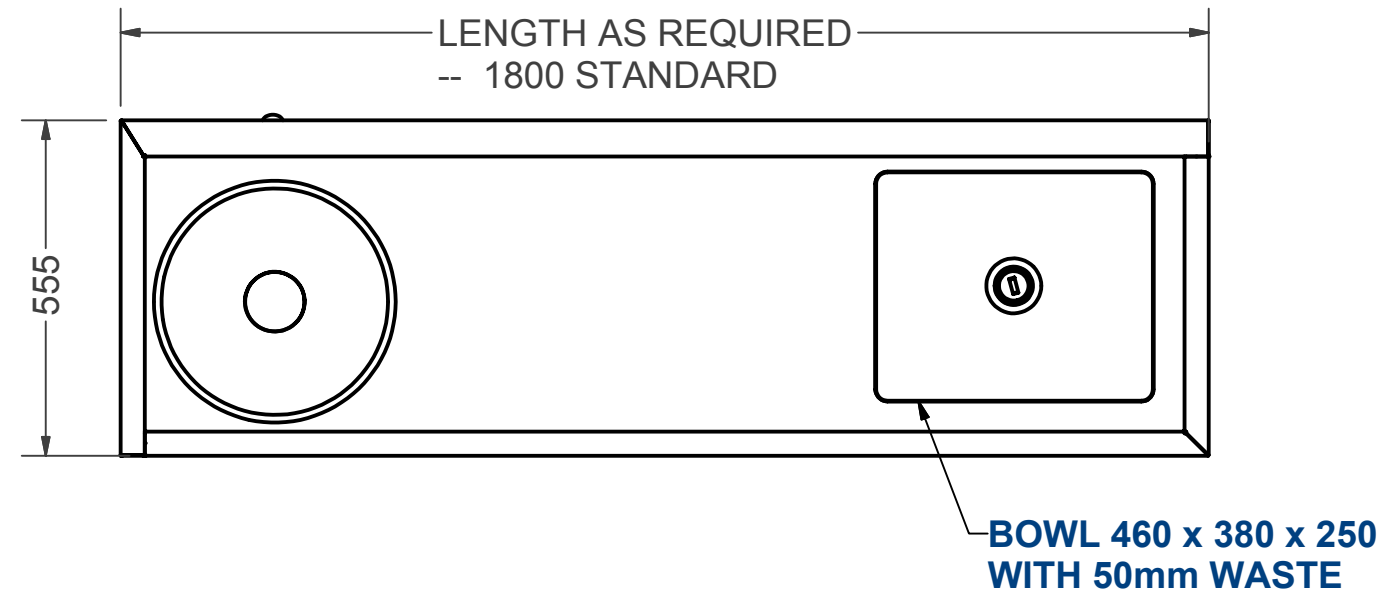
STAINLESS METAL CRAFT

6 BROMLEY ROAD EMU PLAINS 2750
PHONE: (02) 4735 5666 FAX: (02) 4735 7950
E-MAIL info@smcstainless.com.au
www.smcstainless.com.au

THE STAINLESS STEEL PEOPLE

(SINCE 1962)

MATERIAL - GRADE 304 STAINLESS STEEL



*** TAP HOLES
AS REQUIRED**

**SPECIFICATIONS -
STAINLESS STEEL FLUSHING SINK & BOWL
SHALL BE MODEL FS-2 FROM
STAINLESS METAL CRAFT
PHONE: 02 4735 5666**

**DATA
SHEET**

ITEM: FLUSHING SINK & BOWL

CODE: FS-2

DATE:	FEBRUARY - 2003		
REV:	C	PAGE No:	110