

# STAINLESS METAL CRAFT

6 BROMLEY ROAD EMU PLAINS 2750  
PHONE: (02) 4735 5666 FAX: (02) 4735 7950  
E-MAIL [info@smcstainless.com.au](mailto:info@smcstainless.com.au)  
[www.smcstainless.com.au](http://www.smcstainless.com.au)

THE STAINLESS STEEL PEOPLE

(SINCE 1962)

MATERIAL - GRADE 304 STAINLESS STEEL

## FLOOR WASTE



### OPTIONS

- \* MARINE GRADE 316
- \* VINYL CLAMP
- \* EXTENDED TAIL AVAILABLE
- \* OUTLET DIAMETER TO SUIT VARIOUS DRAIN SIZES



\* TYPICAL USE -  
-- FLOOR DRAINAGE

**DATA  
SHEET**

**ITEM: FLOOR WASTE**

**CODE: FW-4-PA**

**DATE:**

**OCTOBER - 2003**

**REV:**

**C**

**PAGE No:**

**183**

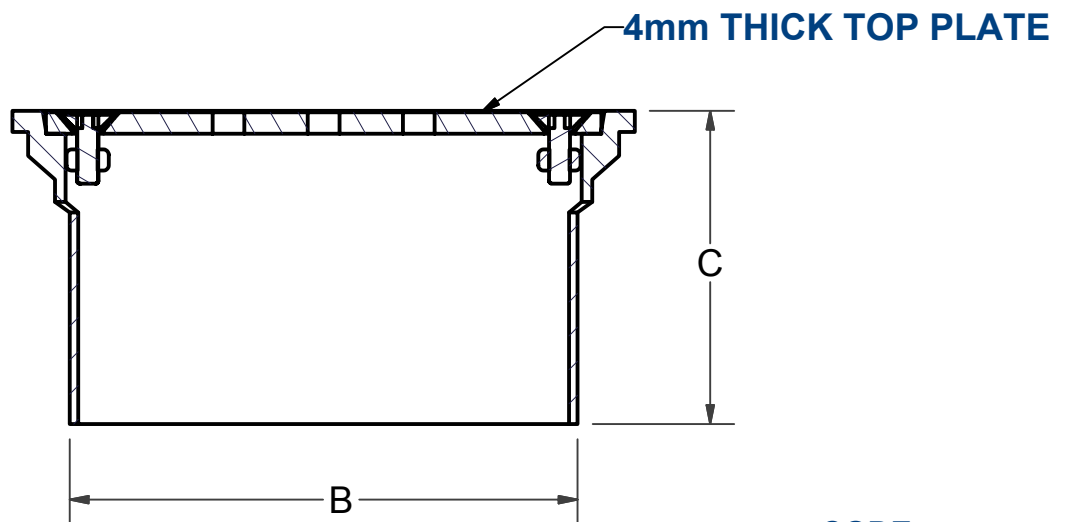
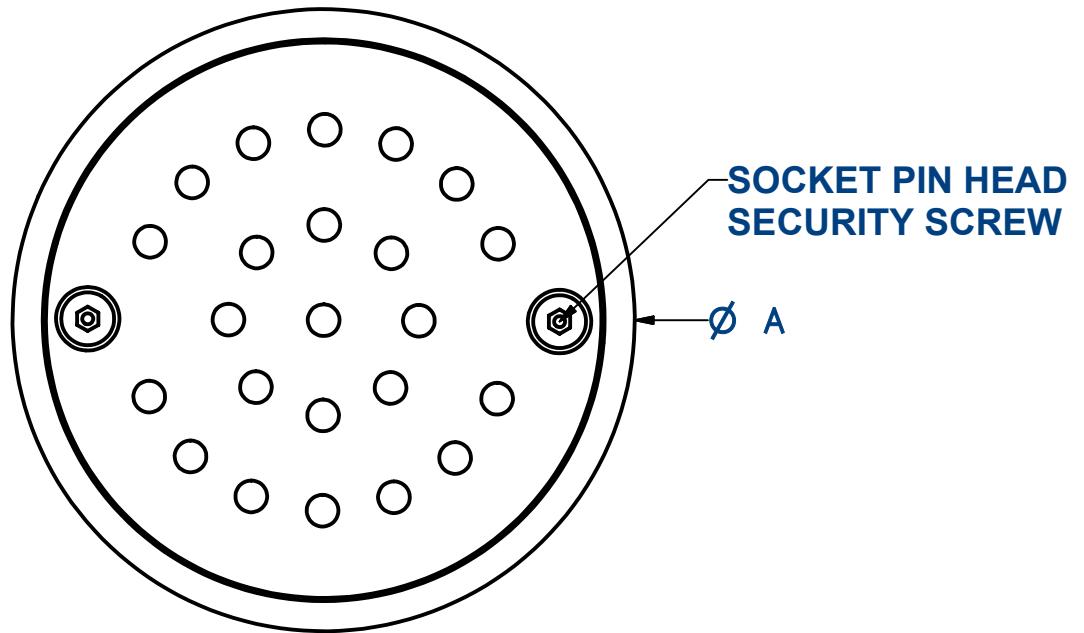
# STAINLESS METAL CRAFT

6 BROMLEY ROAD EMU PLAINS 2750  
 PHONE: (02) 4735 5666 FAX: (02) 4735 7950  
 E-MAIL [info@smcstainless.com.au](mailto:info@smcstainless.com.au)  
[www.smcstainless.com.au](http://www.smcstainless.com.au)

THE STAINLESS STEEL PEOPLE

(SINCE 1962)

MATERIAL - GRADE 304 STAINLESS STEEL  
 --- LOADING: CLASS A



CODE	A	B	C
FW-4	118	96	70
FW-6	169	152.4	70
FW-8	208	96	150

**SPECIFICATIONS -**  
**STAINLESS STEEL FLOOR WASTE**  
**SHALL BE MODEL FW-4-PA FROM**  
**STAINLESS METAL CRAFT**  
**PHONE: 02 4735 5666**

**DATA SHEET**

**ITEM: FLOOR WASTE**

**CODE: FW-4-PA**

**DATE:**

**OCTOBER - 2003**

**REV:**

**C**

**PAGE No:**

**183**