

# STAINLESS METAL CRAFT

6 BROMLEY ROAD EMU PLAINS 2750  
PHONE: (02) 4735 5666 FAX: (02) 4735 7950  
E-MAIL [info@smcstainless.com.au](mailto:info@smcstainless.com.au)  
[www.smcstainless.com.au](http://www.smcstainless.com.au)

THE STAINLESS STEEL PEOPLE

(SINCE 1962)

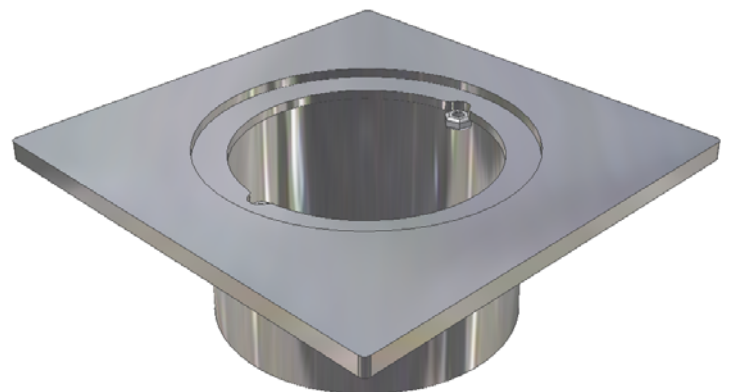
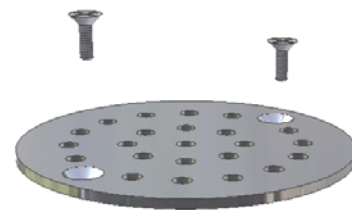
MATERIAL - GRADE 304 STAINLESS STEEL

## FLOOR WASTE



### OPTIONS

- \* MARINE GRADE 316
- \* EXTENDED TAIL AVAILABLE



\* TYPICAL USE -  
-- FLOOR DRAINAGE

DATA  
SHEET

ITEM: FLOOR WASTE

CODE: FW-4-ST

DATE:

OCTOBER - 2003

REV:

C

PAGE No:

30

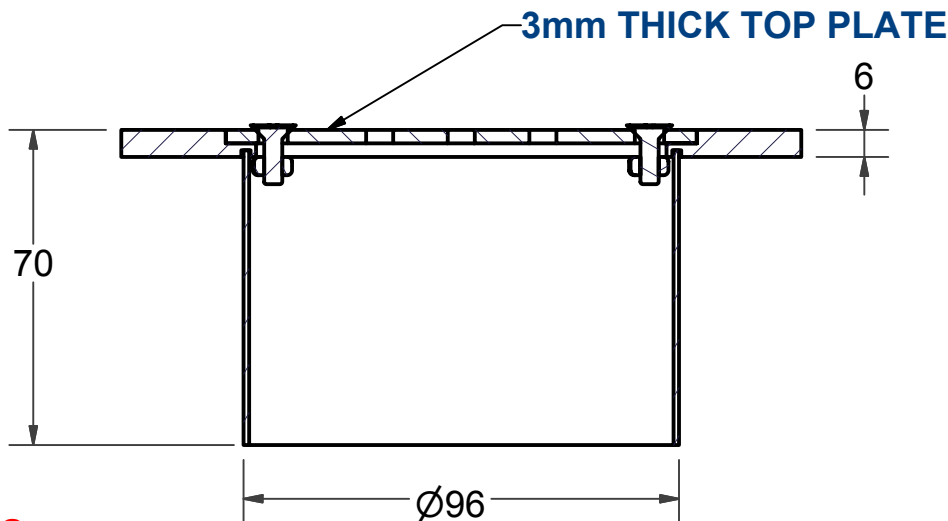
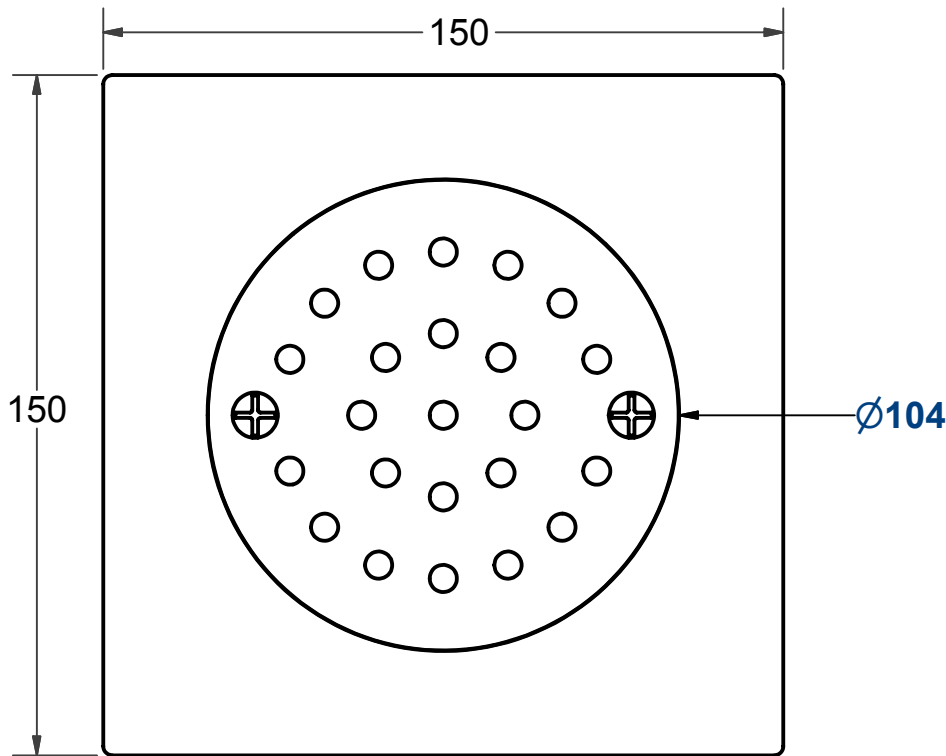
# STAINLESS METAL CRAFT

6 BROMLEY ROAD EMU PLAINS 2750  
PHONE: (02) 4735 5666 FAX: (02) 4735 7950  
E-MAIL [info@smcstainless.com.au](mailto:info@smcstainless.com.au)  
[www.smcstainless.com.au](http://www.smcstainless.com.au)

THE STAINLESS STEEL PEOPLE

(SINCE 1962)

MATERIAL - GRADE 304 STAINLESS STEEL  
--- LOADING: CLASS A



**SPECIFICATIONS -  
STAINLESS STEEL FLOOR WASTE  
SHALL BE MODEL FW-4-ST FROM  
STAINLESS METAL CRAFT  
PHONE: 02 4735 5666**

**DATA  
SHEET**

**ITEM: FLOOR WASTE**

**CODE: FW-4-ST**

**DATE:**

**OCTOBER - 2003**

**REV:**

**C**

**PAGE No:**

**30**