

STAINLESS METAL CRAFT

6 BROMLEY ROAD EMU PLAINS 2750
PHONE: (02) 4735 5666 FAX: (02) 4735 7950
E-MAIL info@smcstainless.com.au
www.smcstainless.com.au

THE STAINLESS STEEL PEOPLE

(SINCE 1962)

MATERIAL - GRADE 304 STAINLESS STEEL

FLOOR WASTE

OPTIONS

- * MARINE GRADE 316
- * VINYL CLAMP
- * EXTENDED TAIL AVAILABLE
- * OUTLET DIAMETER TO SUIT VARIOUS DRAIN SIZES
- * RUBBER O RING CONNECTION TO SUIT VARIOUS DRAINAGE SIZES



* TYPICAL USE -
-- FLOOR DRAINAGE

**DATA
SHEET**

ITEM: TRADE WASTE FLOOR SUMP

CODE: FW-4

DATE:

SEPTEMBER- 2005

REV:

D

PAGE No:

29

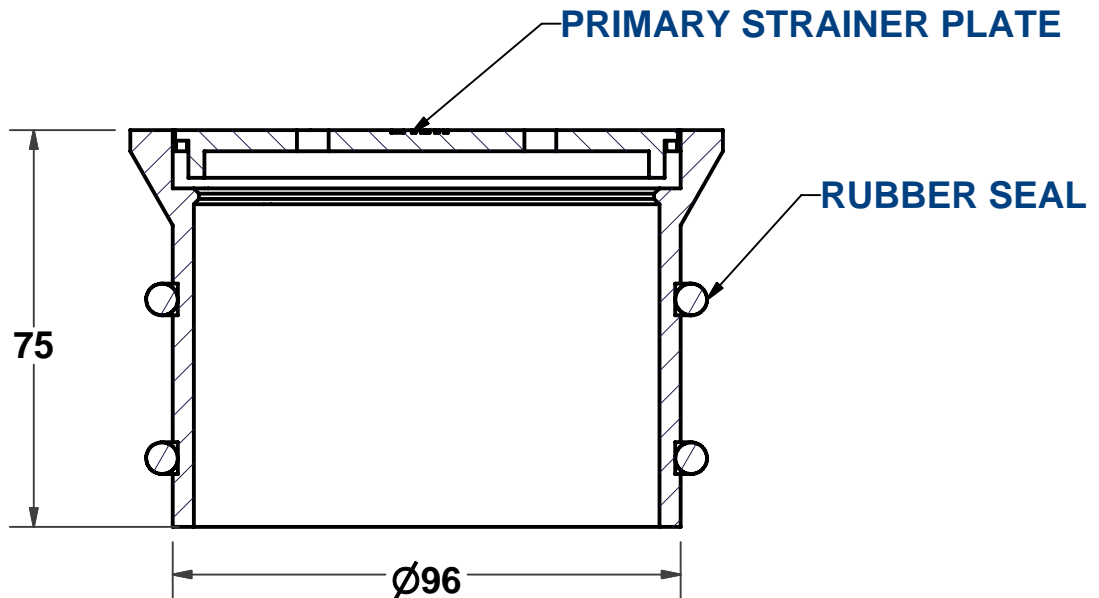
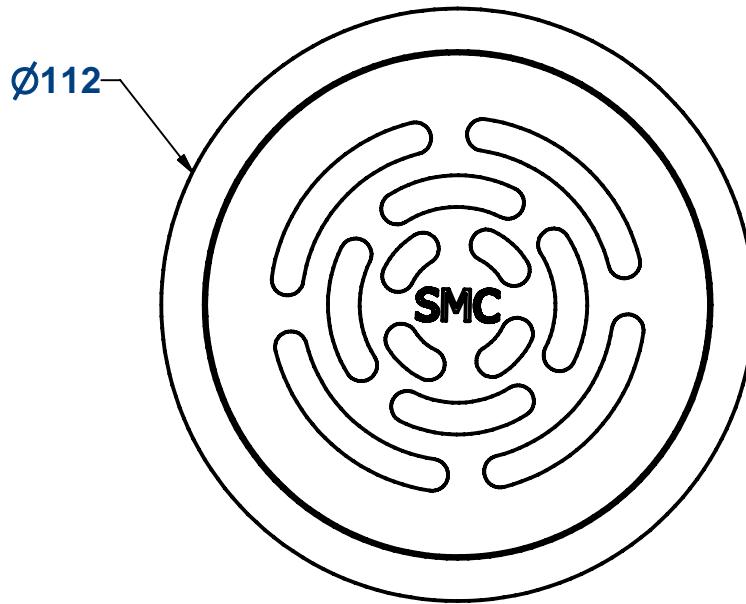
STAINLESS METAL CRAFT

6 BROMLEY ROAD EMU PLAINS 2750
PHONE: (02) 4735 5666 FAX: (02) 4735 7950
E-MAIL info@smcstainless.com.au
www.smcstainless.com.au

THE STAINLESS STEEL PEOPLE

(SINCE 1962)

MATERIAL - GRADE 304 STAINLESS STEEL
---- LOADING: CLASS A



**SPECIFICATIONS -
STAINLESS STEEL FLOOR WASTE
SHALL BE MODEL FW-4 FROM
STAINLESS METAL CRAFT
PHONE: 02 4735 5666**

**DATA
SHEET**

ITEM: TRADE WASTE FLOOR SUMP

CODE: FW-4

DATE:

SEPTEMBER- 2005

REV:

D

PAGE No:

29