

# STAINLESS METAL CRAFT

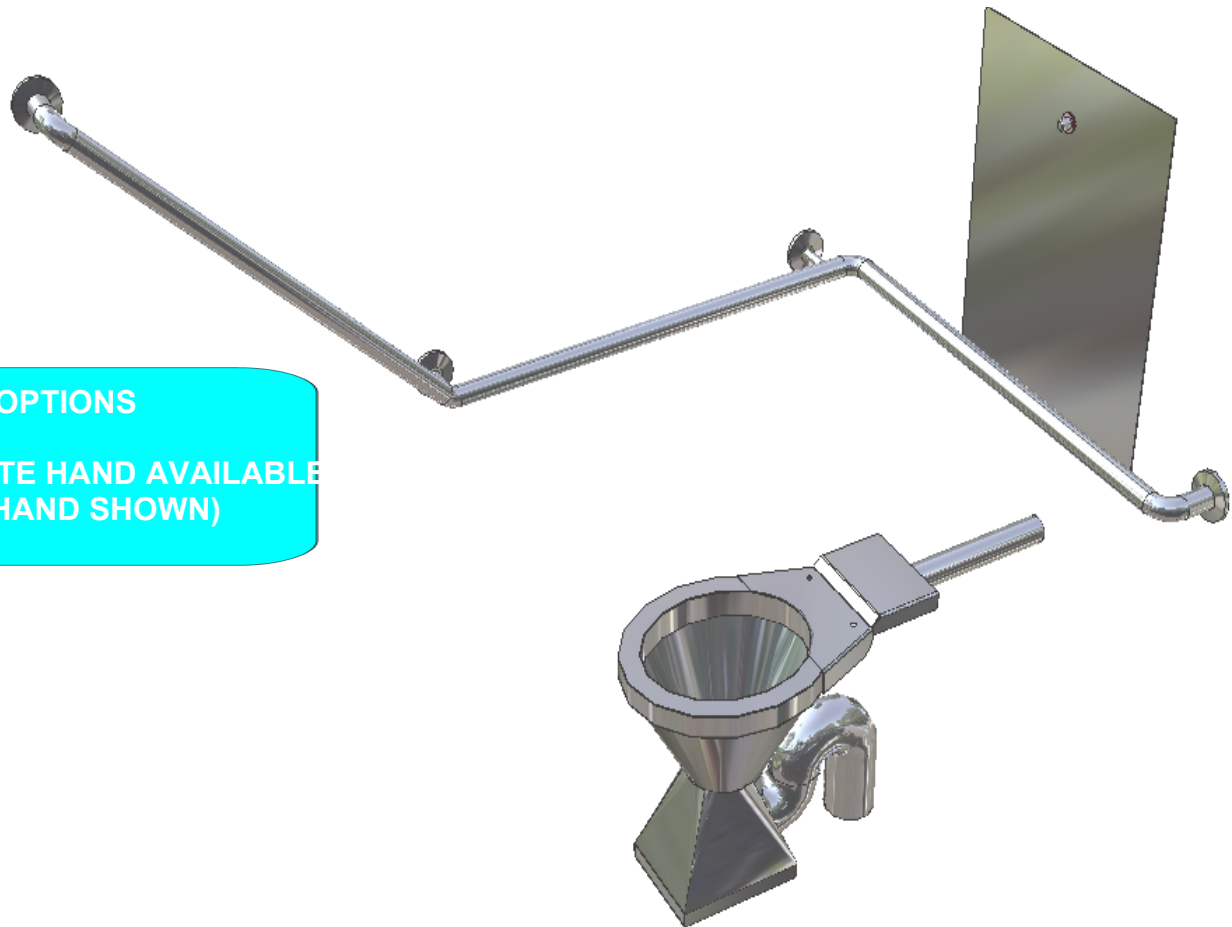
6 BROMLEY ROAD EMU PLAINS 2750  
PHONE: (02) 4735 5666 FAX: (02) 4735 7950  
E-MAIL [info@smcstainless.com.au](mailto:info@smcstainless.com.au)  
[www.smcstainless.com.au](http://www.smcstainless.com.au)

THE STAINLESS STEEL PEOPLE

(SINCE 1962)

MATERIAL - GRADE 304 STAINLESS STEEL

## DISABLED PERSONS GRAB RAIL



### OPTIONS

\* OPPOSITE HAND AVAILABLE  
(RIGHT HAND SHOWN)

\* TYPICAL USE :

-- GRAB RAIL FOR DISABLED PERSONS -- TO AUSTRALIAN STANDARD

\* ANY LOCATION REQUIRING DISABLED PERSONS TOILETS

\* THIS EXAMPLE SHOWS THE GRAB RAILS USED WITH A CONCEALED CISTERN.  
FOR A WALL MOUNTED EXPOSED CISTERN SEE DATA SHEET GR-1428.2 W

\* GRAB RAILS TO BE SPECIFIED LEFT OR RIGHT HAND WHEN ORDERED

**DATA  
SHEET**

**ITEM: GRAB RAIL - CONCEALED CISTERN**

**CODE: GR-1428 C**

**DATE:**

**MARCH - 2003**

**REV:**

**C**

**PAGE No:**

**98**

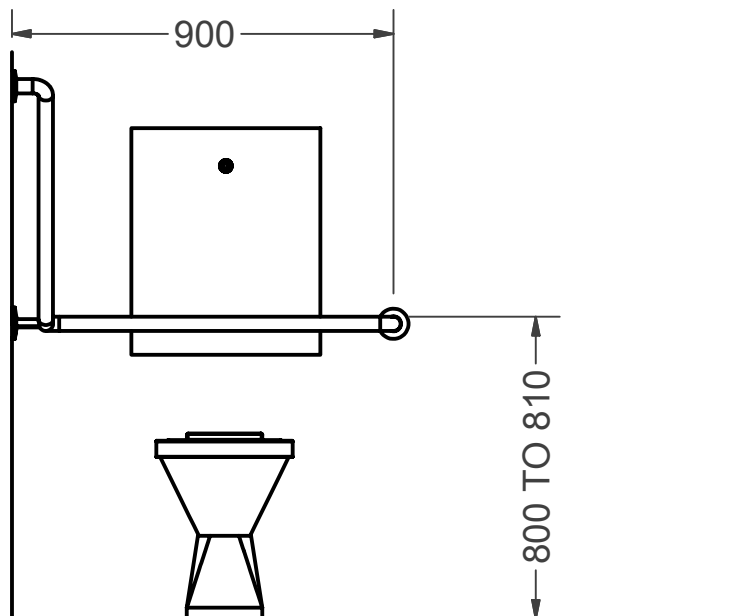
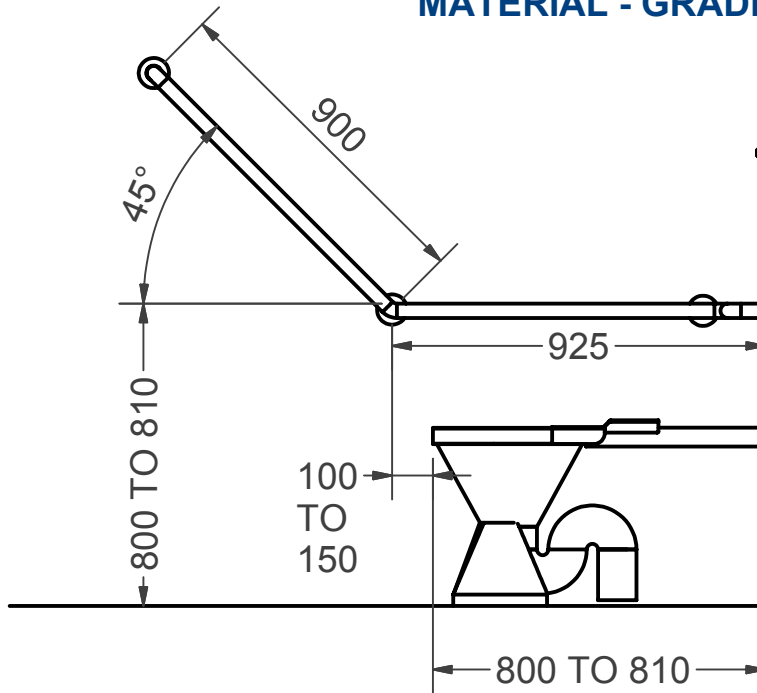
# STAINLESS METAL CRAFT

6 BROMLEY ROAD EMU PLAINS 2750  
 PHONE: (02) 4735 5666 FAX: (02) 4735 7950  
 E-MAIL [info@smcstainless.com.au](mailto:info@smcstainless.com.au)  
[www.smcstainless.com.au](http://www.smcstainless.com.au)

THE STAINLESS STEEL PEOPLE

(SINCE 1962)

MATERIAL - GRADE 304 STAINLESS STEEL



**SPECIFICATIONS -  
 STAINLESS STEEL DISABLED GRAB RAIL  
 SHALL BE MODEL GR-1428 C FROM  
 STAINLESS METAL CRAFT  
 PHONE: 02 4735 5666**

**DATA  
 SHEET**

**ITEM: GRAB RAIL - CONCEALED CISTERN**

**CODE: GR-1428 C**

**DATE:**

**MARCH - 2003**

**REV:**

**C**

**PAGE No:**

**98**