

# STAINLESS METAL CRAFT

6 BROMLEY ROAD EMU PLAINS 2750  
PHONE: (02) 4735 5666 FAX: (02) 4735 7950  
E-MAIL [info@smcstainless.com.au](mailto:info@smcstainless.com.au)  
[www.smcstainless.com.au](http://www.smcstainless.com.au)

THE STAINLESS STEEL PEOPLE

(SINCE 1962)

MATERIAL - GRADE 304 STAINLESS STEEL

## DISABLED PERSONS GRAB RAIL SET



- \* TYPICAL USE :  
-- GRAB RAILS FOR DISABLED PERSONS -- TO AUSTRALIAN STANDARD
- \* ANY LOCATION REQUIRING DISABLED PERSONS TOILETS
- \* THIS EXAMPLE SHOWS THE GRAB RAILS USED WITH A WALL MOUNTED CISTERN.  
FOR A CONCEALED CISTERN SEE DATA SHEET GR-1428 C
- \* THIS GRAB RAIL SET IS REVERSIBLE TO LEFT OR RIGHT HAND WALL

**DATA  
SHEET**

**ITEM: GRAB RAILS - WALL FACE CISTERN**

**CODE: GR-1428 W**

**DATE:**

**MARCH - 2003**

**REV:**

**C**

**PAGE No:**

**97**

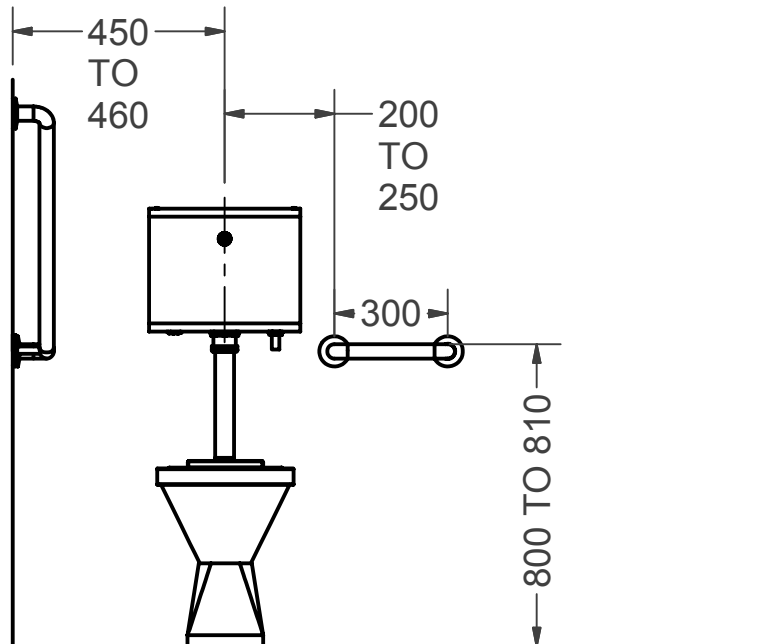
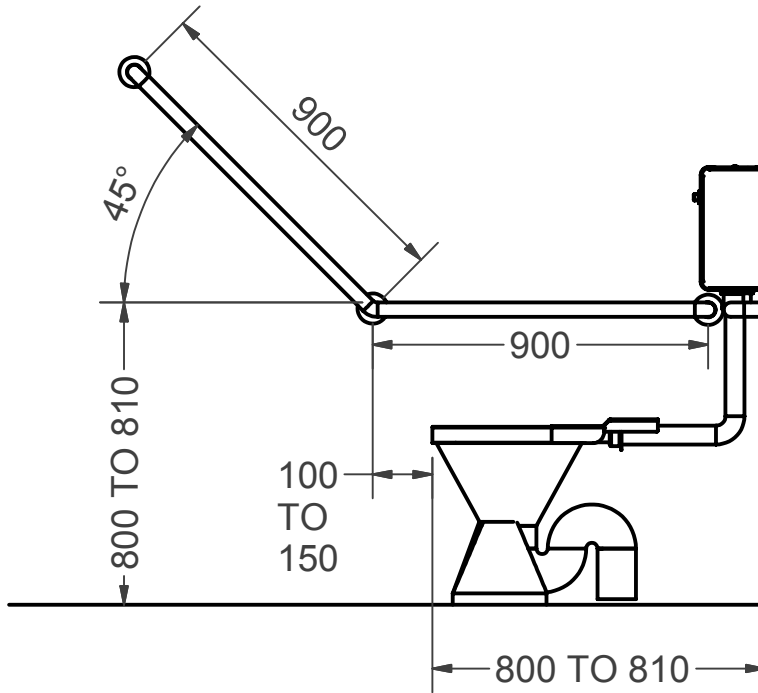
# STAINLESS METAL CRAFT

6 BROMLEY ROAD EMU PLAINS 2750  
 PHONE: (02) 4735 5666 FAX: (02) 4735 7950  
 E-MAIL [info@smcstainless.com.au](mailto:info@smcstainless.com.au)  
[www.smcstainless.com.au](http://www.smcstainless.com.au)

THE STAINLESS STEEL PEOPLE

(SINCE 1962)

MATERIAL - GRADE 304 STAINLESS STEEL



**SPECIFICATIONS -  
 STAINLESS STEEL DISABLED GRAB RAIL  
 SHALL BE MODEL GR-1428.2 W FROM  
 STAINLESS METAL CRAFT  
 PHONE: 02 4735 5666**

**DATA  
 SHEET**

**ITEM: GRAB RAILS - WALL FACE CISTERN**

**CODE: GR-1428 W**

**DATE:**

**MARCH - 2003**

**REV:**

**C**

**PAGE No:**

**97**