

# STAINLESS METAL CRAFT

6 BROMLEY ROAD EMU PLAINS 2750  
PHONE: (02) 4735 5666 FAX: (02) 4735 7950  
E-MAIL [info@smcstainless.com.au](mailto:info@smcstainless.com.au)  
[www.smcstainless.com.au](http://www.smcstainless.com.au)

THE STAINLESS STEEL PEOPLE

(SINCE 1962)

MATERIAL - GRADE 304 STAINLESS STEEL

## GAS VALVE COVER BOX



### OPTIONS

\* RECESSED  
CODE: GVC-1-R

\* TYPICAL USE  
-- SURFACE MOUNTED COVER FOR GAS  
VALVES -- PREVENTS UNAUTHORISED ACCESS

\* TYPICALLY EDUCATION BUILDINGS USING GAS

**DATA  
SHEET**

**ITEM: GAS VALVE COVER BOX**

**CODE: GVC-1**

**DATE:**

**MAY - 2003**

**REV:**

**C**

**PAGE No:**

**101**

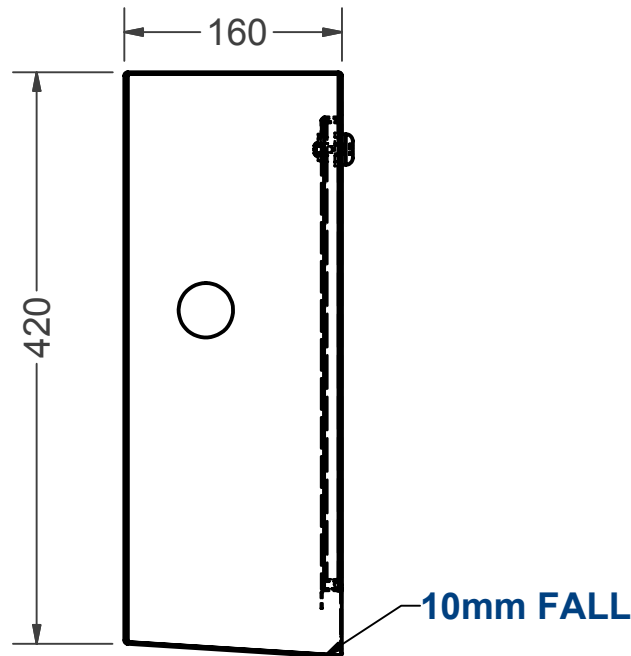
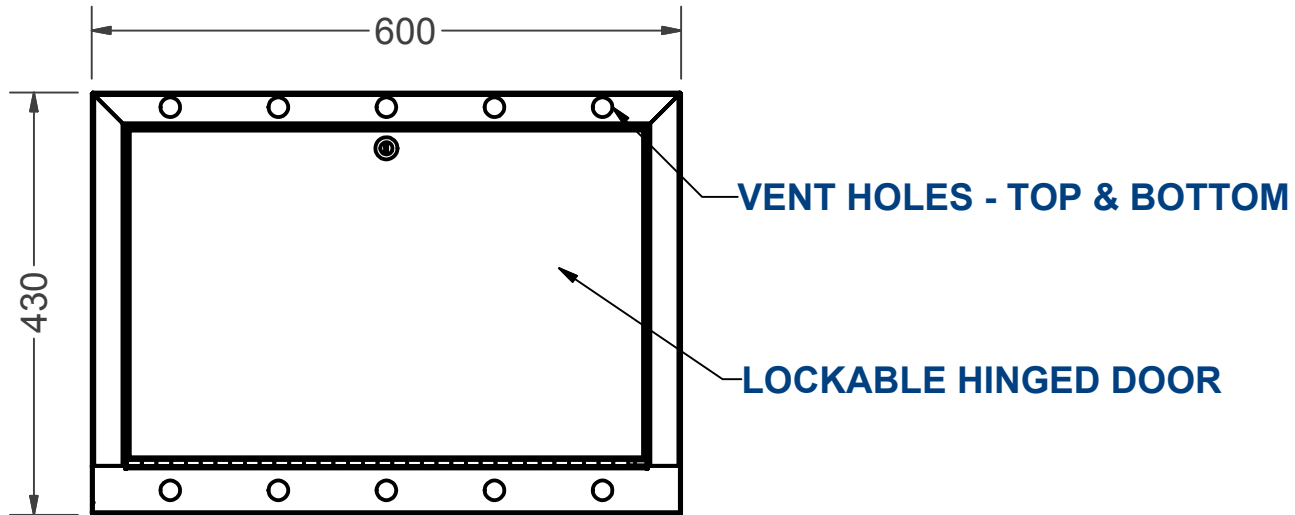
# STAINLESS METAL CRAFT

6 BROMLEY ROAD EMU PLAINS 2750  
PHONE: (02) 4735 5666 FAX: (02) 4735 7950  
E-MAIL [info@smcstainless.com.au](mailto:info@smcstainless.com.au)  
[www.smcstainless.com.au](http://www.smcstainless.com.au)

THE STAINLESS STEEL PEOPLE

(SINCE 1962)

MATERIAL - GRADE 304 STAINLESS STEEL



**SPECIFICATIONS -  
STAINLESS STEEL SURFACE MOUNTED  
GAS VALVE COVER BOX  
SHALL BE MODEL GVC-1 FROM  
STAINLESS METAL CRAFT  
PHONE: 02 4735 5666**

**DATA  
SHEET**

**ITEM: GAS VALVE COVER BOX**

**CODE: GVC-1**

**DATE:**

**MAY - 2003**

**REV:**

**C**

**PAGE No:**

**101**