

STAINLESS METAL CRAFT

6 BROMLEY ROAD EMU PLAINS

PHONE: (02) 4735 5666 FAX: (02) 4735 7950

E-MAIL info@smcstainless.com.au

www.smcstainless.com.au

THE STAINLESS STEEL PEOPLE

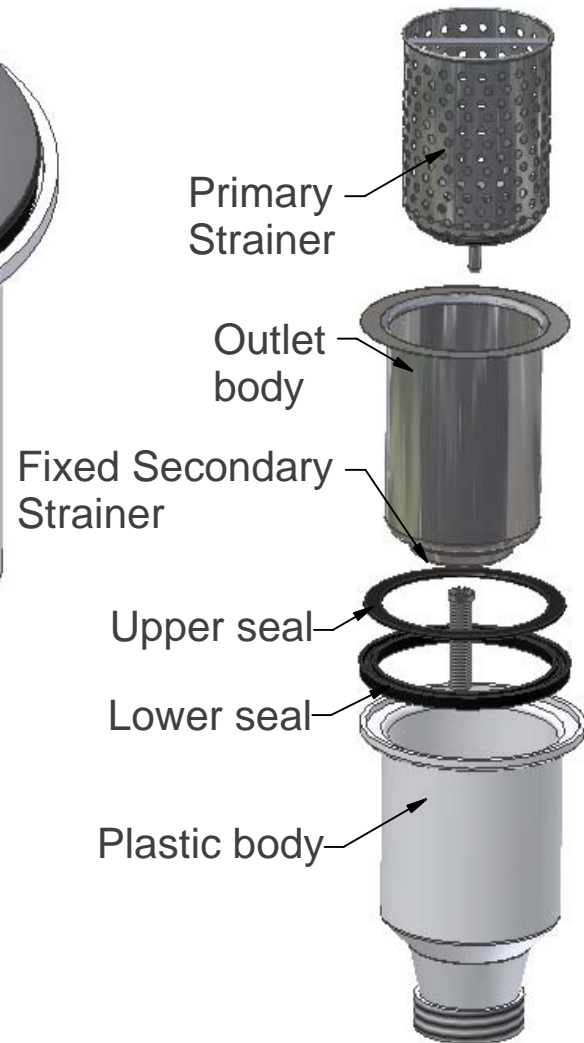
(SINCE 1962)

MATERIAL - GRADE 304 STAINLESS STEEL

BASKET WASTE



SYDNEY WATER
AUTHORISATION
NUMBER: 2005-348 I



- * TYPICAL USE -
- * COLLECTION OF FOOD WASTE IN SINKS
- * IS FITTED INSTEAD OF PLUG & WASTE
- * FOOD PREPARATION AREAS
- * SUITABLE FOR RETROFIT

**DATA
SHEET**

ITEM: BASKET WASTE - SINK MODEL

CODE: ISW-50

DATE:

MARCH - 2007

REV:

B

PAGE No:

42

STAINLESS METAL CRAFT

6 BROMLEY ROAD EMU PLAINS

PHONE: (02) 4735 5666 FAX: (02) 4735 7950

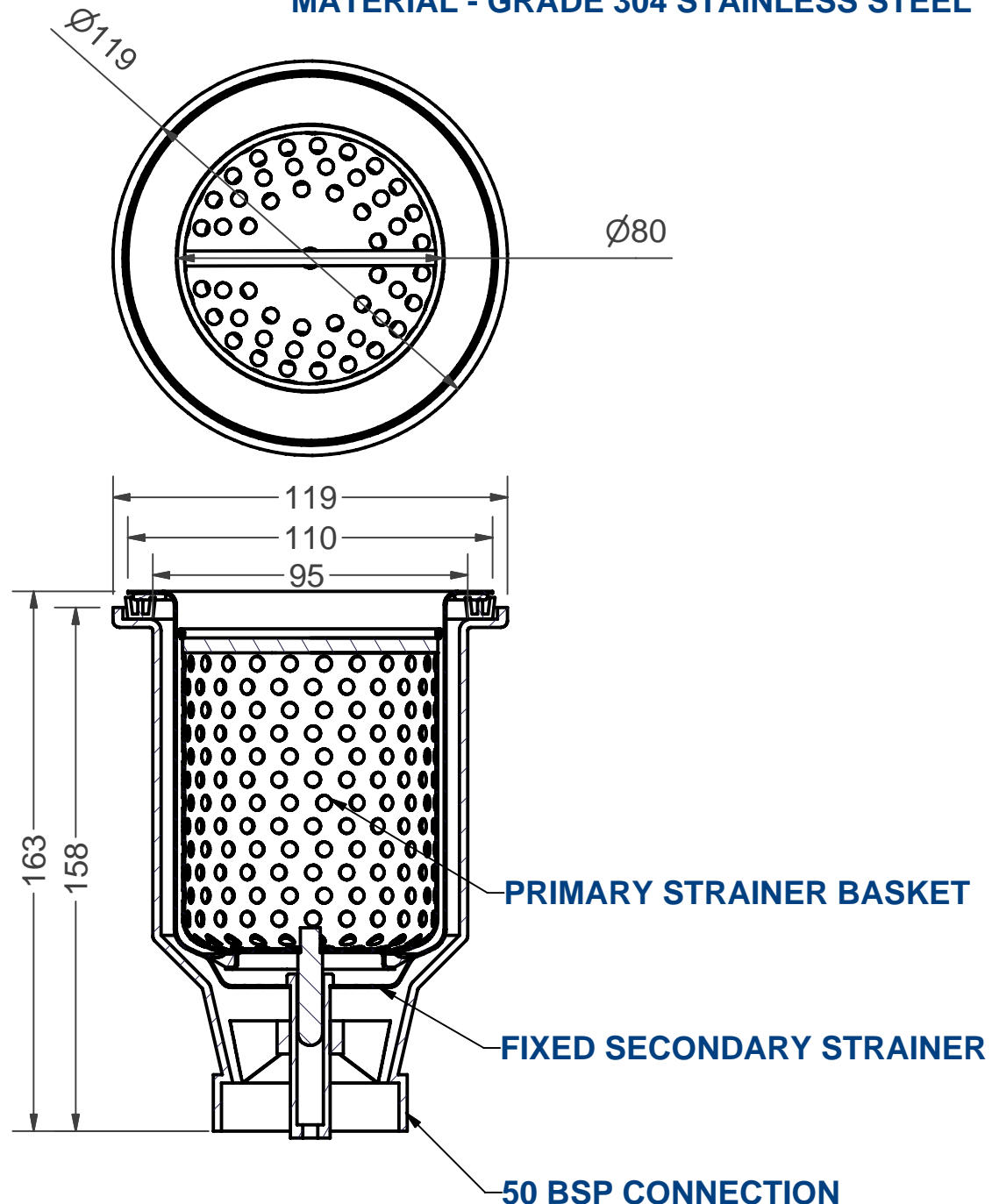
E-MAIL info@smcstainless.com.au

www.smcstainless.com.au

THE STAINLESS STEEL PEOPLE

(SINCE 1962)

MATERIAL - GRADE 304 STAINLESS STEEL



**SPECIFICATIONS -
STAINLESS STEEL BASKET WASTE - SINK MODEL
SHALL BE MODEL ISW-50 FROM
STAINLESS METAL CRAFT
PHONE: 02 4735 5666**

**DATA
SHEET**

ITEM: BASKET WASTE - SINK MODEL

CODE: ISW-50

DATE:

MARCH - 2007

REV:

B

PAGE No:

42