

STAINLESS METAL CRAFT

6 BROMLEY ROAD EMU PLAINS 2750
PHONE: (02) 4735 5666 FAX: (02) 4735 7950
E-MAIL info@smcstainless.com.au
www.smcstainless.com.au

THE STAINLESS STEEL PEOPLE

(SINCE 1962)

MATERIAL - GRADE 304 STAINLESS STEEL

SECURITY WASH BASIN

OPTIONS

- * FOR WALL MOUNTING
INSTALLATION USE
FRONT ACCESS PANEL
- * FOR REAR SERVICE
CORRIDOR USE FIXING
BARS AND BOLTS



* TYPICAL USE :

-- SECURITY WASH BASIN

TYPICALLY FOR DETENTION CELL OR OTHER RESTRICTED SPACE, WITH PLUMBING & FIXINGS CONCEALED .

-- LOW MAINTENANCE WITH SUPERIOR VANDAL RESISTANCE

-- GAOLS, JUVENILE JUSTICE CENTRES, COURT HOUSES, IMMIGRATION CENTRES, PSYCHIATRIC HOSPITALS, SHIPS.

**DATA
SHEET**

ITEM: DETENTION CENTRE HAND BASIN

CODE: JJB-1

DATE:

MARCH - 2004

REV:

C

PAGE No:

183

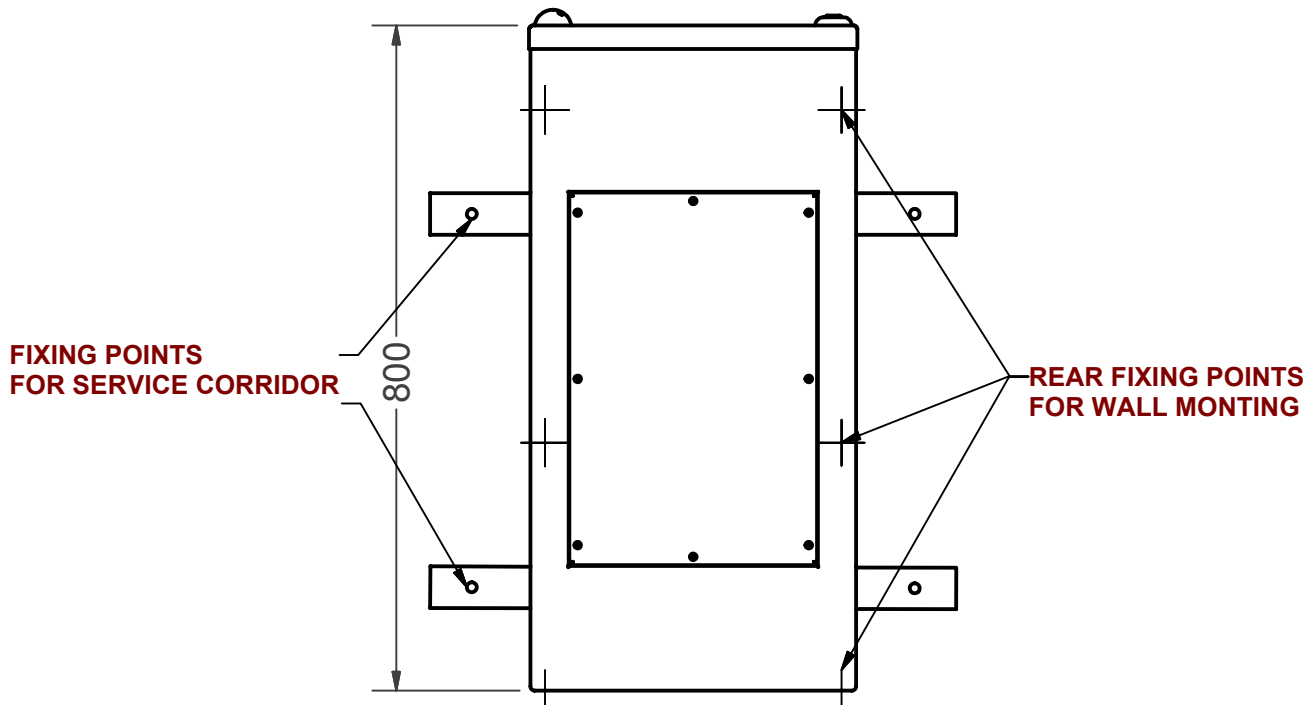
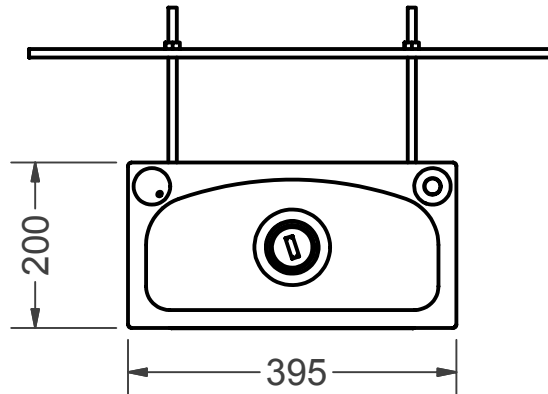
STAINLESS METAL CRAFT

6 BROMLEY ROAD EMU PLAINS 2750
PHONE: (02) 4735 5666 FAX: (02) 4735 7950
E-MAIL info@smcstainless.com.au
www.smcstainless.com.au

THE STAINLESS STEEL PEOPLE

(SINCE 1962)

MATERIAL - GRADE 304 STAINLESS STEEL
BODY 2mm THICK



**SPECIFICATIONS -
STAINLESS STEEL COMBINATION UNIT
SHALL BE MODEL JJB-1 FROM
STAINLESS METAL CRAFT
PHONE: 02 4735 5666**

**DATA
SHEET**

ITEM: DETENTION CENTRE HAND BASIN

CODE: JJB-1

DATE:

MARCH - 2004

REV:

C

PAGE No:

183