

STAINLESS METAL CRAFT

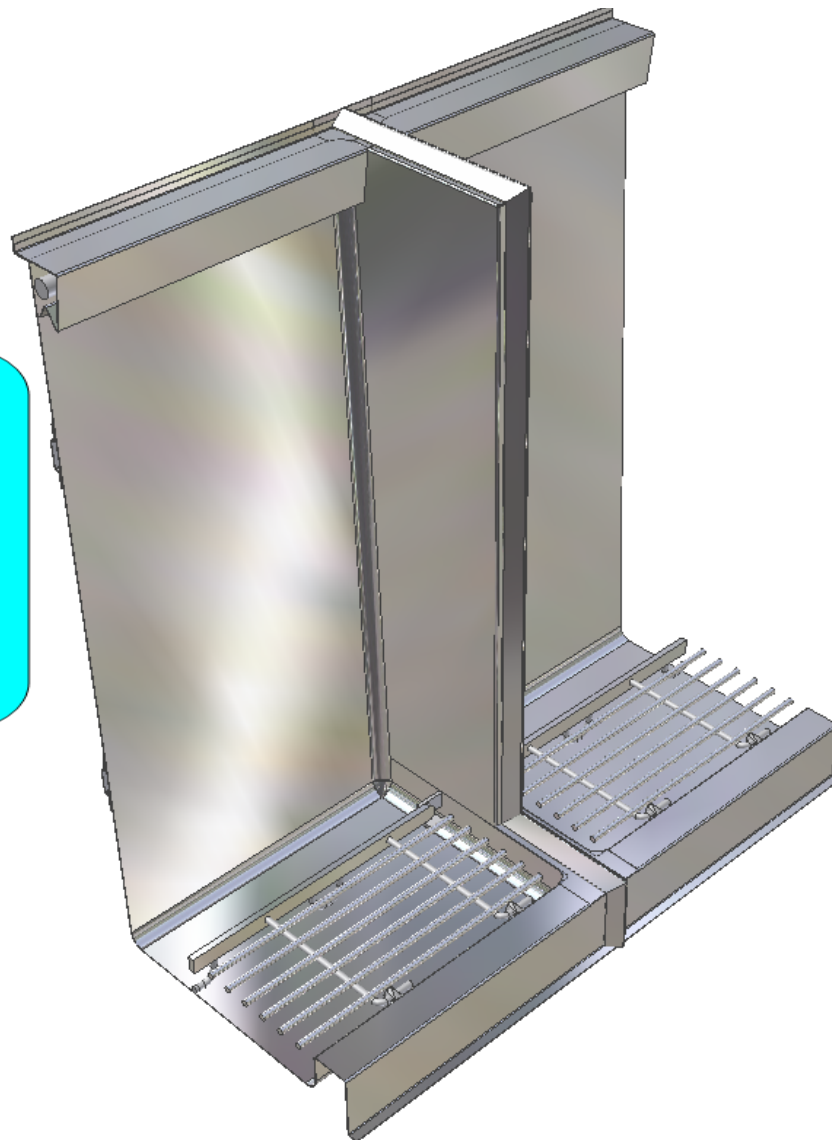
6 BROMLEY ROAD EMU PLAINS 2750
PHONE: (02) 4735 5666 FAX: (02) 4735 7950
E-MAIL info@smcstainless.com.au
www.smcstainless.com.au

THE STAINLESS STEEL PEOPLE

(SINCE 1962)

MATERIAL - GRADE 304 STAINLESS STEEL

URINAL JOINING STRIP



OPTIONS

- * USE OF MULTIPLE LENGTHS AND JOINING STRIPS IMPROVES THE MODESTY FACTOR (WHERE IMPORTANT)
- * WIDTH OF JOINING STRIP CAN BE CHANGED

* TYPICAL USE :

* WHERE ACCESS IS RESTRICTED YOU CAN SITE WELD LENGTHS OF URINAL TOGETHER OR USE JOINING STRIPS AS ILLUSTRATED

- JS-2 FOR SCU-2 "SANISTALL" SHOWN
- JS-1 FOR SCU-1 "CASCADE" IS SIMILAR

DATA SHEET

ITEM: URINAL JOINING STRIP

CODE: JS-1 OR JS-2

DATE:

OCTOBER - 2003

REV:

C

PAGE No:

52

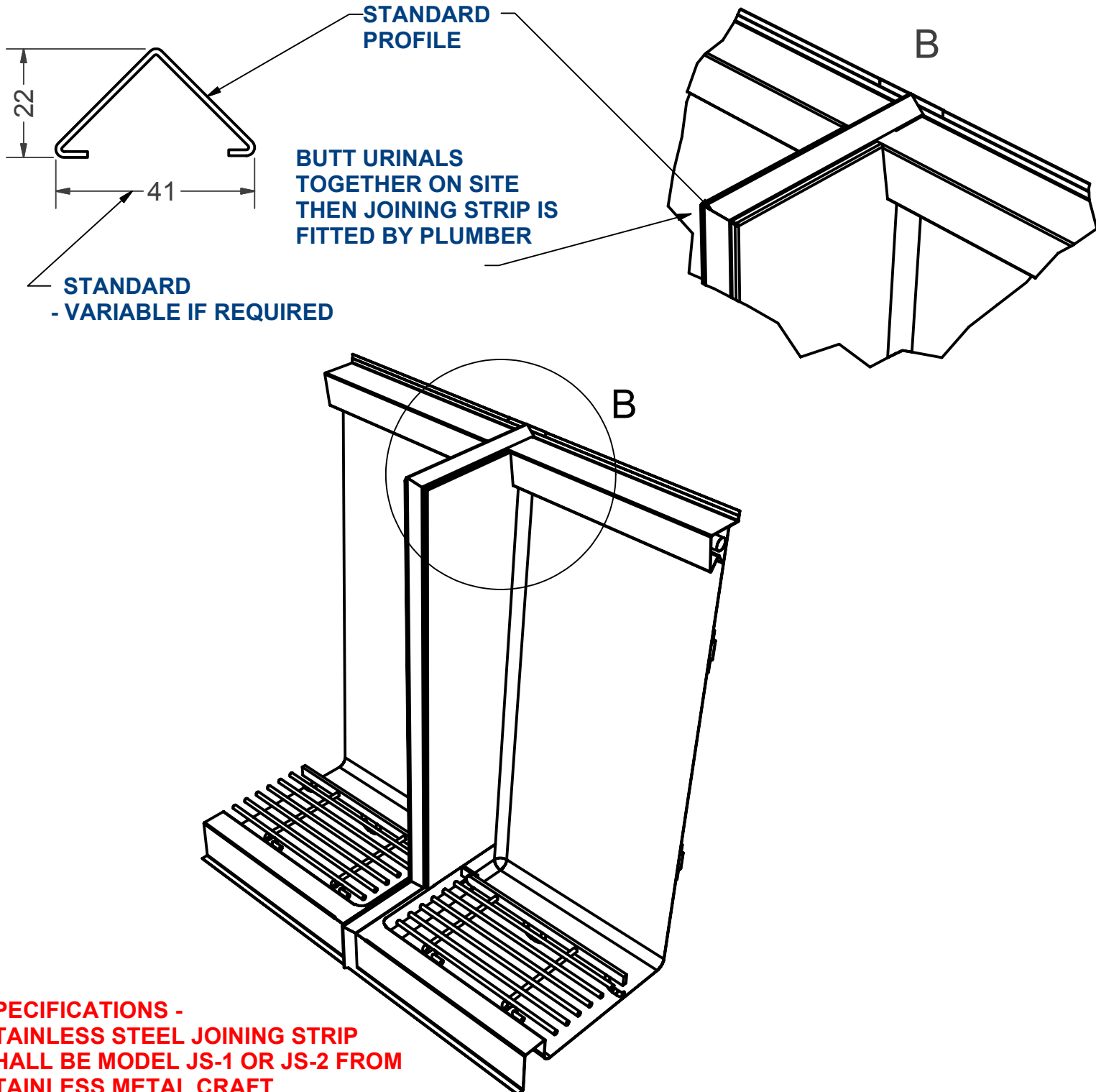
STAINLESS METAL CRAFT

6 BROMLEY ROAD EMU PLAINS 2750
PHONE: (02) 4735 5666 FAX: (02) 4735 7950
E-MAIL info@smcstainless.com.au
www.smcstainless.com.au

THE STAINLESS STEEL PEOPLE

(SINCE 1962)

MATERIAL - GRADE 304 STAINLESS STEEL



**SPECIFICATIONS -
STAINLESS STEEL JOINING STRIP
SHALL BE MODEL JS-1 OR JS-2 FROM
STAINLESS METAL CRAFT
PHONE: 02 4735 5666**

**DATA
SHEET**

ITEM: URINAL JOINING STRIP

CODE: JS-1 OR JS-2

DATE:

OCTOBER - 2003

REV:

C

PAGE No:

52