

STAINLESS METAL CRAFT

6 BROMLEY ROAD EMU PLAINS 2750
PHONE: (02) 4735 5666 FAX: (02) 4735 7950
E-MAIL info@smcstainless.com.au
www.smcstainless.com.au

THE STAINLESS STEEL PEOPLE

(SINCE 1962)

MATERIAL - GRADE 304 STAINLESS STEEL

KNEE OPERATED HAND BASIN

OPTIONS

- * PRE PLUMBED BY SMC WITH YOUR CHOICE OF HANDS FREE TAPWARE
- * FULL PEDESTAL TO FLOOR
- * UNIVERSAL STAINLESS STEEL TRAPS



* TYPICAL USE -

-- LOW MAINTENANCE HAND BASIN WITH HIGH VANDAL RESISTANCE.

- * PUBLIC AMENITIES eg COUNCIL / RAILWAY STATIONS / SHOPPING CENTRES
- * SCHOOLS / INDUSTRY / CLUBS / HOTELS

**DATA
SHEET**

ITEM: KNEE OPERATED HAND BASIN

CODE: KOWB-1

DATE:

SEPTEMBER - 2003

REV:

C

PAGE No:

85

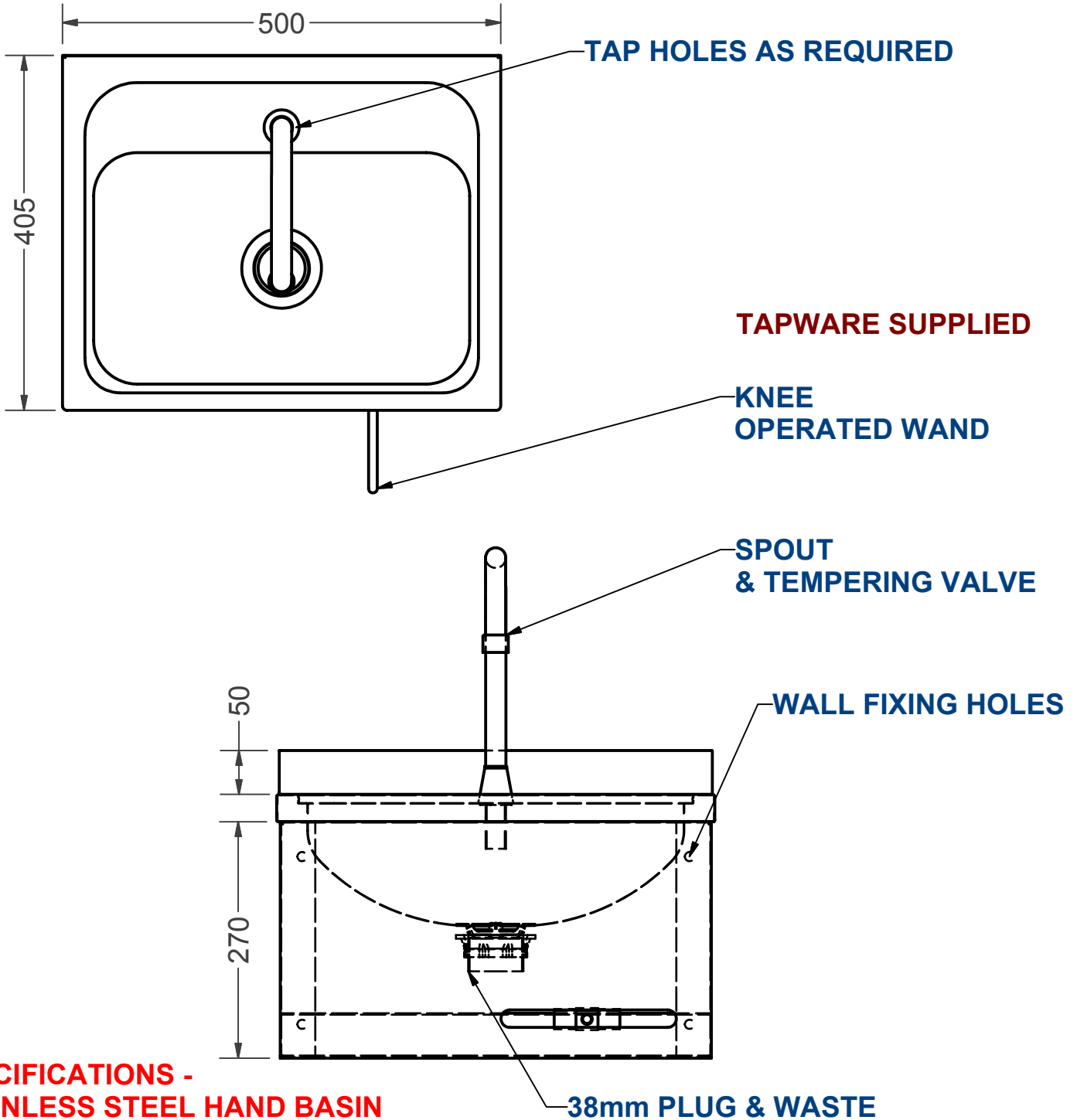
STAINLESS METAL CRAFT

6 BROMLEY ROAD EMU PLAINS 2750
 PHONE: (02) 4735 5666 FAX: (02) 4735 7950
 E-MAIL info@smcstainless.com.au
www.smcstainless.com.au

THE STAINLESS STEEL PEOPLE

(SINCE 1962)

MATERIAL - GRADE 304 STAINLESS STEEL



TAPWARE SUPPLIED

KNEE OPERATED WAND

SPOUT & TEMPERING VALVE

WALL FIXING HOLES

38mm PLUG & WASTE

**SPECIFICATIONS -
 STAINLESS STEEL HAND BASIN
 SHALL BE MODEL KOWB-1 FROM
 STAINLESS METAL CRAFT
 PHONE: 02 4735 5666**

DATA SHEET

ITEM: KNEE OPERATED HAND BASIN

CODE: KOWB-1

DATE:	SEPTEMBER - 2003
REV:	C PAGE No: 85