

STAINLESS METAL CRAFT

6 BROMLEY ROAD EMU PLAINS 2750
PHONE: (02) 4735 5666 FAX: (02) 4735 7950
E-MAIL info@smcstainless.com.au
www.smcstainless.com.au

THE STAINLESS STEEL PEOPLE

(SINCE 1962)

MATERIAL - GRADE 304 STAINLESS STEEL

KNEE OPERATED HAND BASIN

OPTIONS

- * PRE PLUMBED BY SMC WITH YOUR CHOICE OF HANDS FREE TAPWARE
- * UNIVERSAL STAINLESS STEEL TRAPS



* TYPICAL USE -
-- LOW MAINTENANCE HAND BASIN WITH HIGH VANDAL RESISTANCE.

- * FOOD PREP AREAS WHERE HANDS FREE TAPWARE IS REQUIRED
- * CLUBS / HOTELS / RESTAURANTS

**DATA
SHEET**

ITEM: KNEE OPERATED HAND BASIN

CODE: KOWB-2

DATE:

JULY - 2006

REV:

A

PAGE No:

119

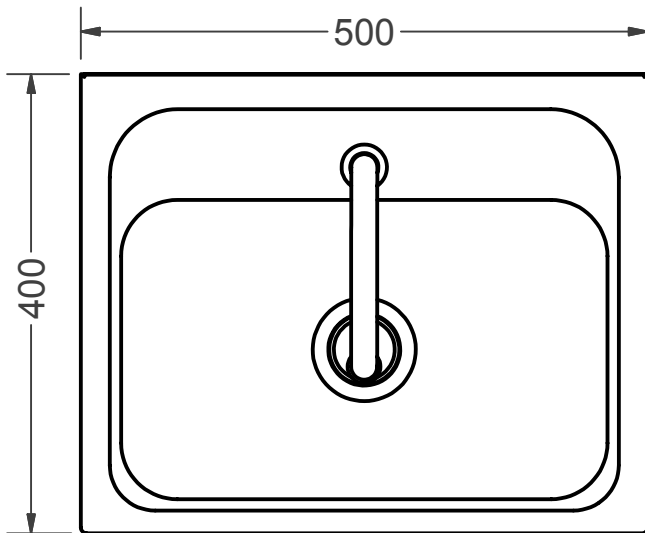
STAINLESS METAL CRAFT

6 BROMLEY ROAD EMU PLAINS 2750
 PHONE: (02) 4735 5666 FAX: (02) 4735 7950
 E-MAIL info@smcstainless.com.au
www.smcstainless.com.au

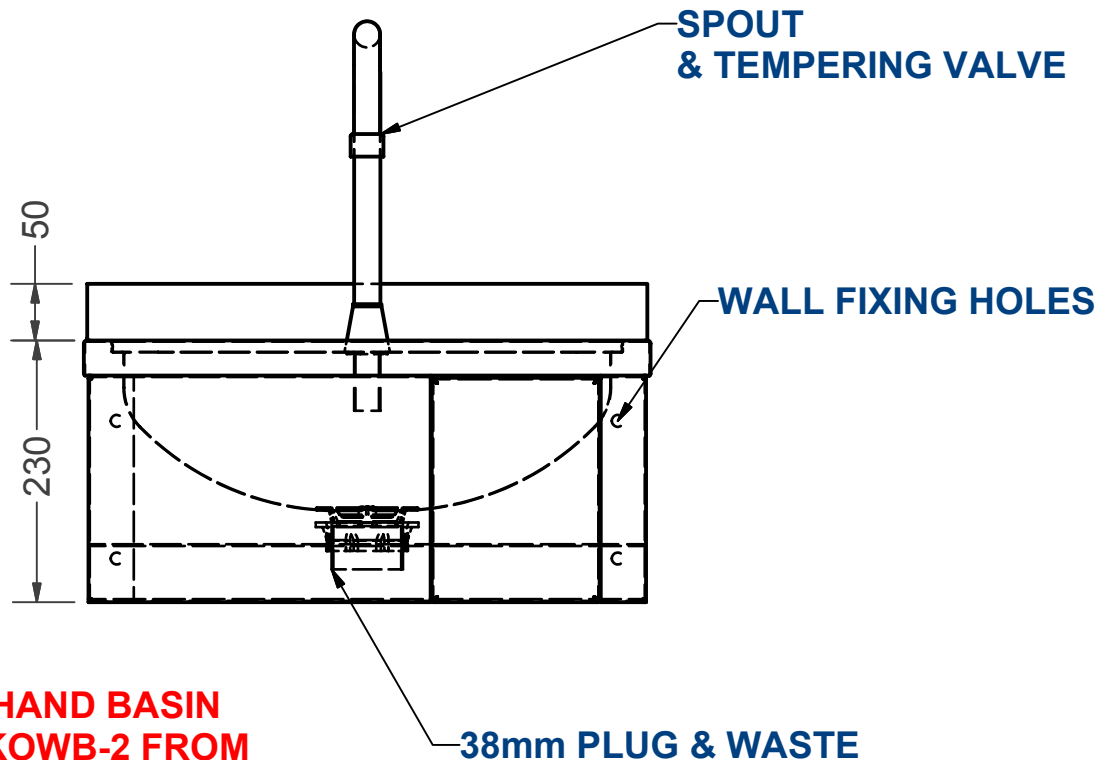
THE STAINLESS STEEL PEOPLE

(SINCE 1962)

MATERIAL - GRADE 304 STAINLESS STEEL



TAPWARE SUPPLIED



**SPECIFICATIONS -
 STAINLESS STEEL HAND BASIN
 SHALL BE MODEL KOWB-2 FROM
 STAINLESS METAL CRAFT
 PHONE: 02 4735 5666**

DATA SHEET

ITEM: KNEE OPERATED HAND BASIN

CODE: KOWB-2

DATE:

JULY - 2006

REV:

A

PAGE No:

119