

STAINLESS METAL CRAFT

6 BROMLEY ROAD EMU PLAINS 2750
PHONE: (02) 4735 5666 FAX: (02) 4735 7950
E-MAIL info@smcstainless.com.au
www.smcstainless.com.au

THE STAINLESS STEEL PEOPLE

(SINCE 1962)

MATERIAL - GRADE 316 STAINLESS STEEL

LABORATORY SINKS

**ROBUST 1.6mm THICK
CONSTRUCTION**

OPTIONS

* OTHER SIZES AVAILABLE
ON REQUEST



* TYPICAL USE

-- LABORATORY SINK TO BE SET INTO BENCH TOP

-- DURABLE STAINLESS STEEL

-- RADIUS CORNERS FOR EASY CLEANING

* EDUCATION BUILDINGS / INDUSTRY

**DATA
SHEET**

ITEM: LABORATORY SINK

CODE: LS-1 , 2 OR 3

DATE:

MAY - 2003

REV:

C

PAGE No:

126

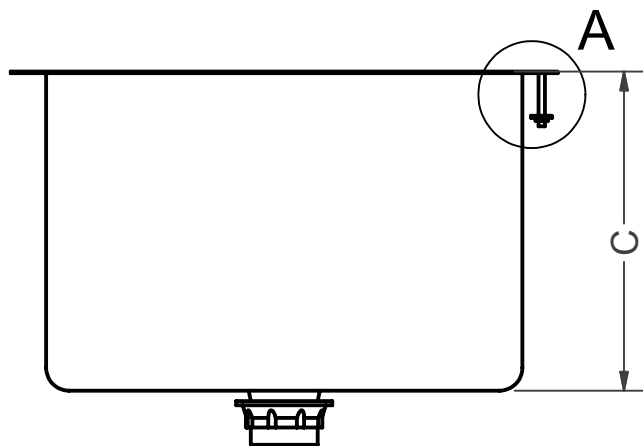
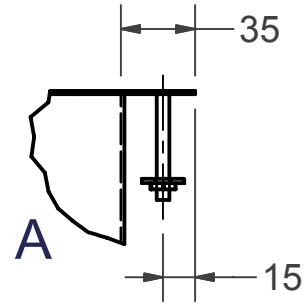
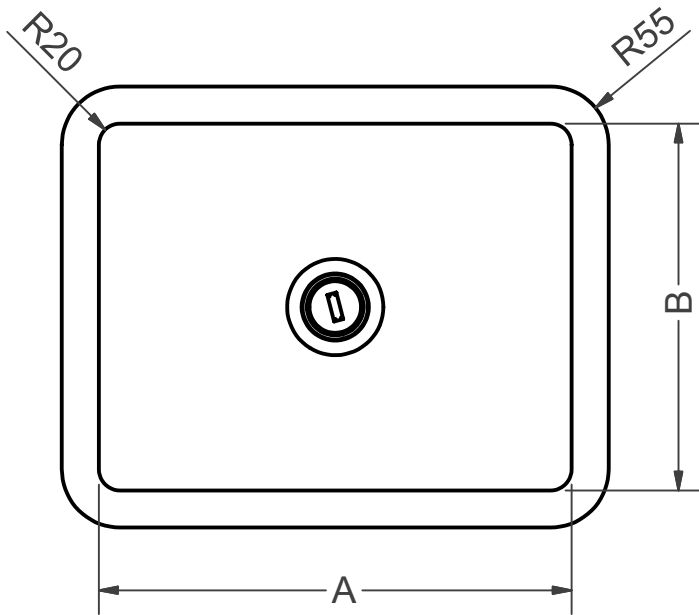
STAINLESS METAL CRAFT

6 BROMLEY ROAD EMU PLAINS 2750
 PHONE: (02) 4735 5666 FAX: (02) 4735 7950
 E-MAIL info@smcstainless.com.au
www.smcstainless.com.au

THE STAINLESS STEEL PEOPLE

(SINCE 1962)

MATERIAL - GRADE 316 STAINLESS STEEL



SIZE TABLE			
CODE	A	B	C
LS-1	300	300	250
LS-2	400	300	250
LS-3	450	350	300

**SPECIFICATIONS -
 STAINLESS STEEL LABORATORY SINKS
 SHALL BE MODEL LS-1 , LS-2 OR LS-3 FROM
 STAINLESS METAL CRAFT
 PHONE: 02 4735 5666**

**DATA
 SHEET**

ITEM: LABORATORY SINK

CODE: LS-1 , 2 OR 3

DATE:

MAY - 2003

REV:

C

PAGE No:

126