

# STAINLESS METAL CRAFT

6 BROMLEY ROAD EMU PLAINS 2750  
PHONE: (02) 4735 5666 FAX: (02) 4735 7950  
E-MAIL [info@smcstainless.com.au](mailto:info@smcstainless.com.au)  
[www.smcstainless.com.au](http://www.smcstainless.com.au)

THE STAINLESS STEEL PEOPLE

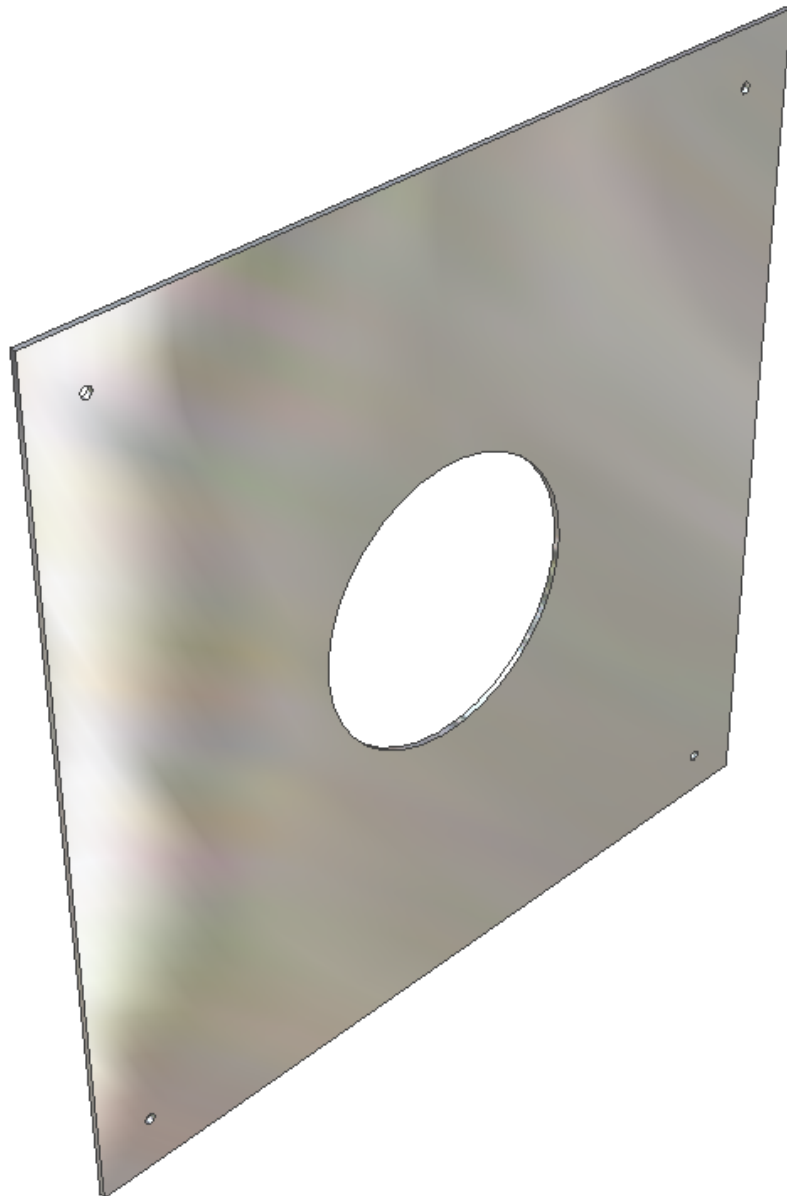
(SINCE 1962)

MATERIAL - GRADE 304 STAINLESS STEEL

## ORIFICE PLATE

### OPTIONS

\* MARINE GRADE 316



\* TYPICAL USE -  
-- STORM WATER DETENTION - CONTROL  
OF DISCHARGE RATE

**DATA  
SHEET**

**ITEM: ORIFICE PLATE**

**CODE: OP-1**

**DATE:**

**OCTOBER - 2003**

**REV:**

**C**

**PAGE No:**

**41**

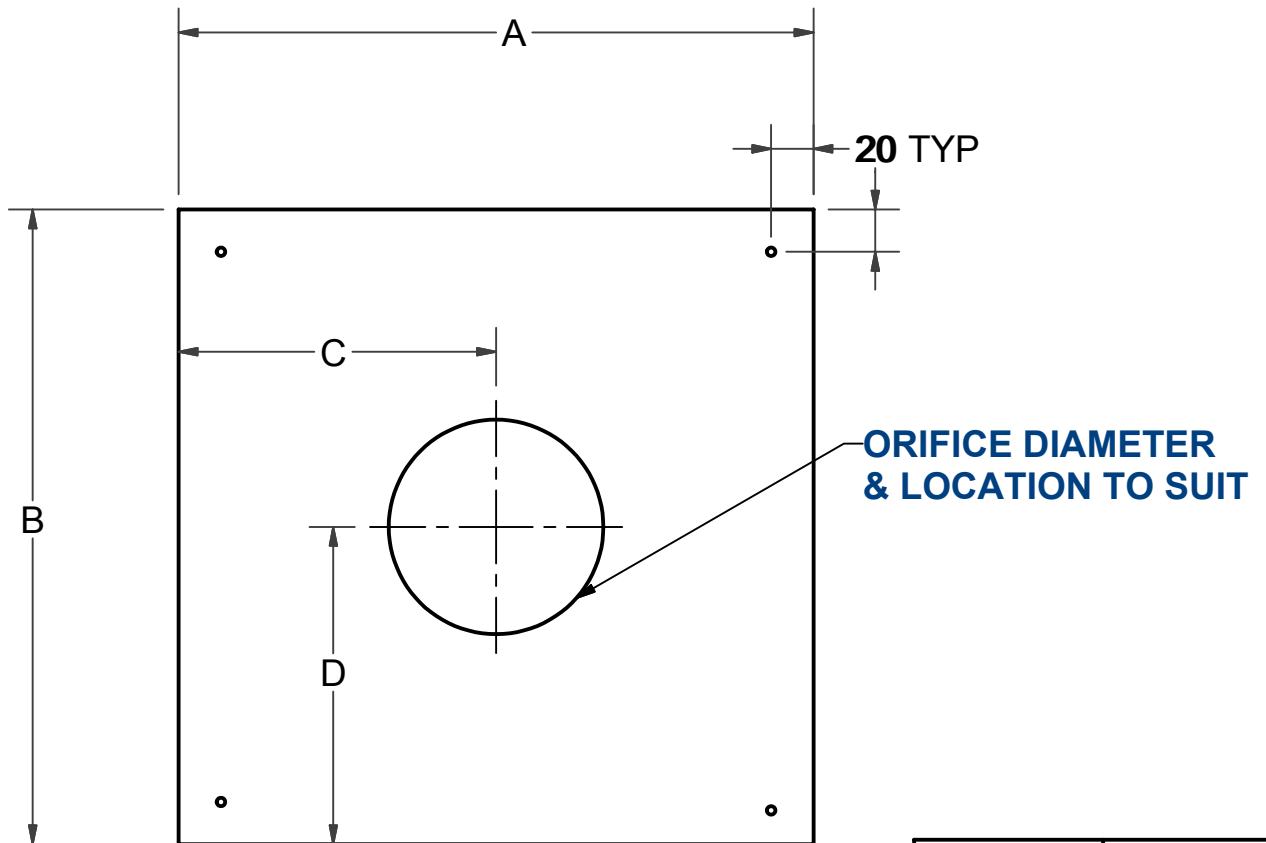
# STAINLESS METAL CRAFT

6 BROMLEY ROAD EMU PLAINS 2750  
 PHONE: (02) 4735 5666 FAX: (02) 4735 7950  
 E-MAIL [info@smcstainless.com.au](mailto:info@smcstainless.com.au)  
[www.smcstainless.com.au](http://www.smcstainless.com.au)

THE STAINLESS STEEL PEOPLE

(SINCE 1962)

MATERIAL - GRADE 304 STAINLESS STEEL



A	
B	
C	
D	
ORIFICE Ø	
FIXING HOLE Ø	
PLATE THICKNESS	

**SPECIFICATIONS -  
 STAINLESS STEEL ORIFICE PLATE  
 SHALL BE MODEL OP-1 FROM  
 STAINLESS METAL CRAFT  
 PHONE: 02 4735 5666**

**DATA  
 SHEET**

**ITEM: ORIFICE PLATE**

**CODE: OP-1**

**DATE:**

**OCTOBER - 2003**

**REV:**

**C**

**PAGE No:**

**41**