

STAINLESS METAL CRAFT

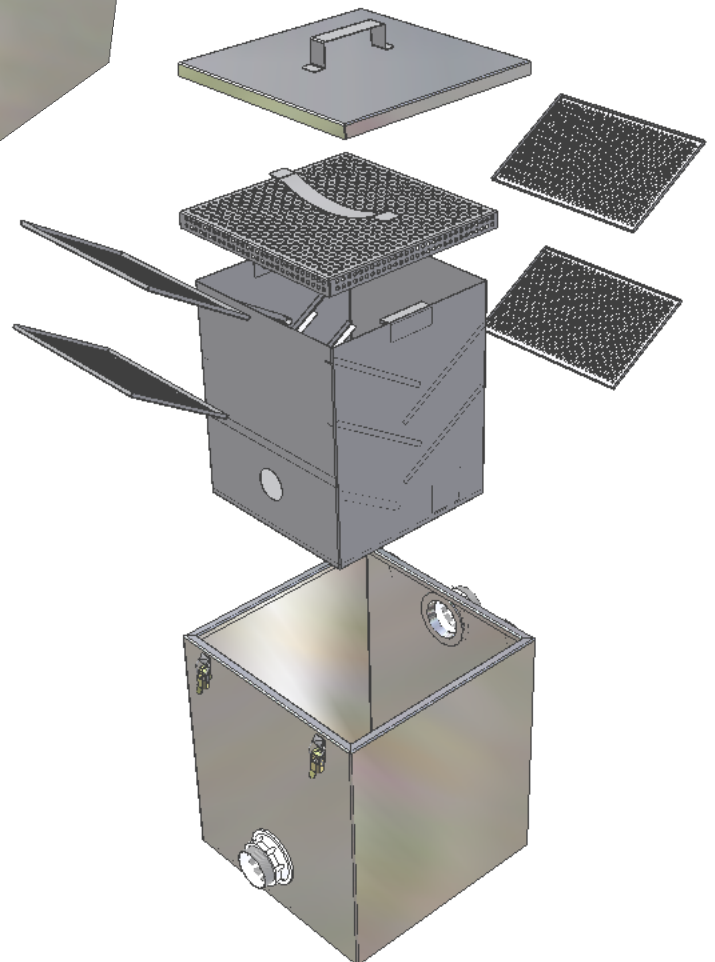
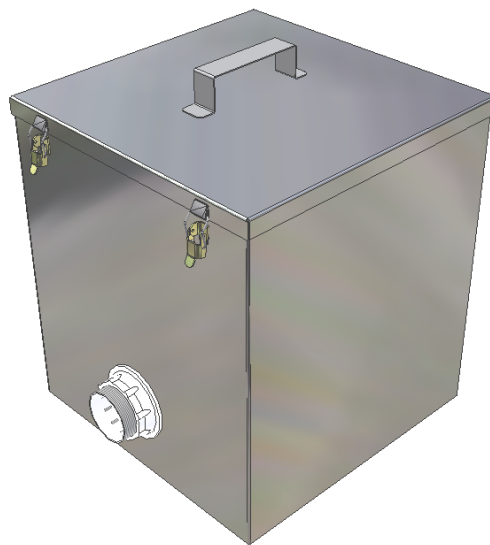
6 BROMLEY ROAD EMU PLAINS 2750
PHONE: (02) 4735 5666 FAX: (02) 4735 7950
E-MAIL info@smcstainless.com.au
www.smcstainless.com.au

THE STAINLESS STEEL PEOPLE

(SINCE 1962)

MATERIAL - GRADE 316 STAINLESS STEEL

PLASTER TRAP



OPTIONS

* MOBILE STAND FOR
EASE OF MOVEMENT
TO CLEAN

* TYPICAL USE -
-- HOSPITALS
-- LABORATORIES
-- DENTAL SURGERIES

**DATA
SHEET**

ITEM: PLASTER TRAP

CODE: PA-1

DATE:

OCTOBER - 2003

REV:

C

PAGE No:

35

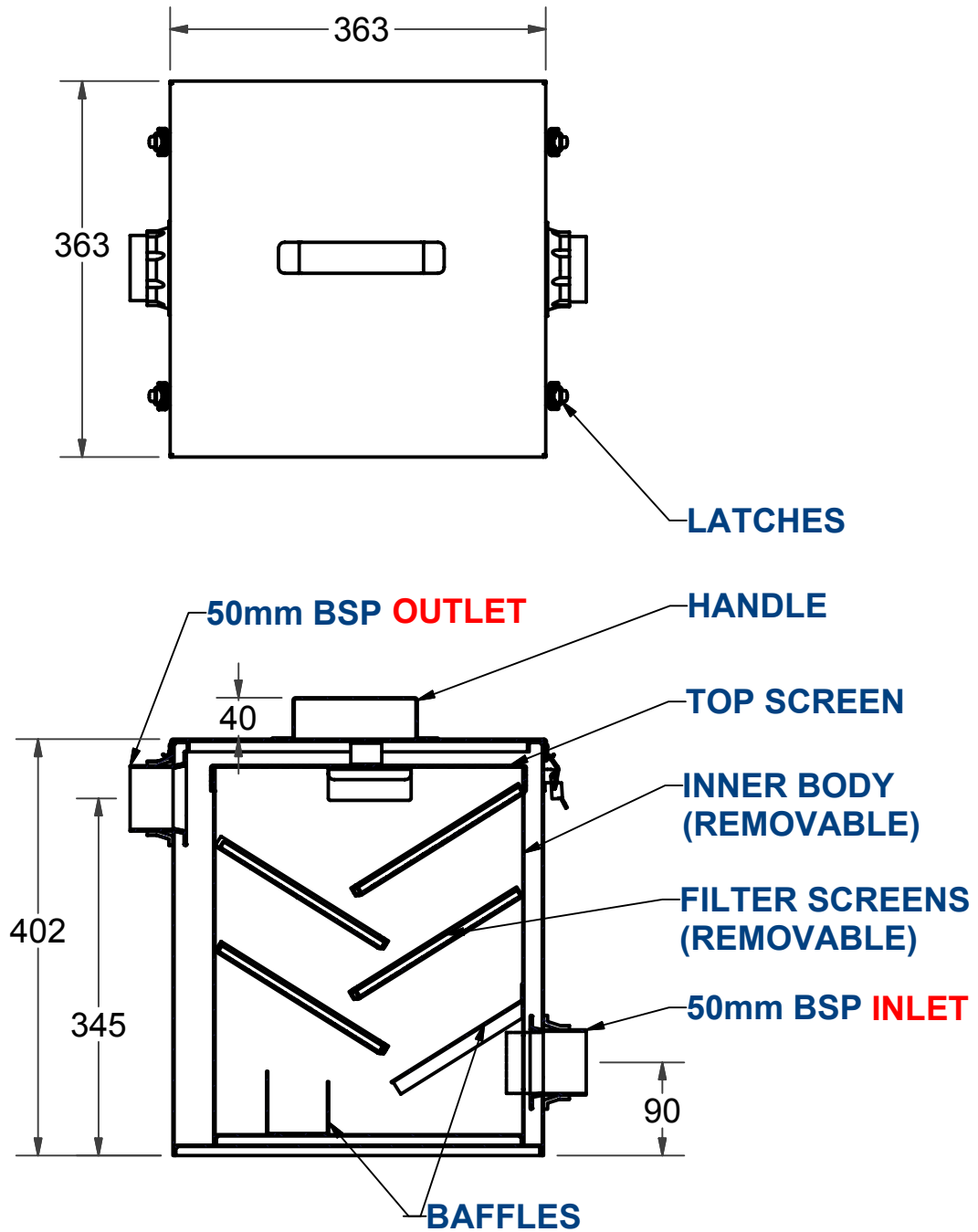
STAINLESS METAL CRAFT

6 BROMLEY ROAD EMU PLAINS 2750
 PHONE: (02) 4735 5666 FAX: (02) 4735 7950
 E-MAIL info@smcstainless.com.au
www.smcstainless.com.au

THE STAINLESS STEEL PEOPLE

(SINCE 1962)

MATERIAL - GRADE 316 STAINLESS STEEL



**SPECIFICATIONS -
 STAINLESS STEEL PLASTER TRAP
 SHALL BE MODEL PA-1 FROM
 STAINLESS METAL CRAFT
 PHONE: 02 4735 5666**

DATA SHEET

ITEM: PLASTER TRAP

CODE: PA-1

DATE:	OCTOBER - 2003
REV:	C PAGE No: 35