

STAINLESS METAL CRAFT

6 BROMLEY ROAD EMU PLAINS 2750
PHONE: (02) 4735 5666 FAX: (02) 4735 7950
E-MAIL info@smcstainless.com.au
www.smcstainless.com.au

THE STAINLESS STEEL PEOPLE

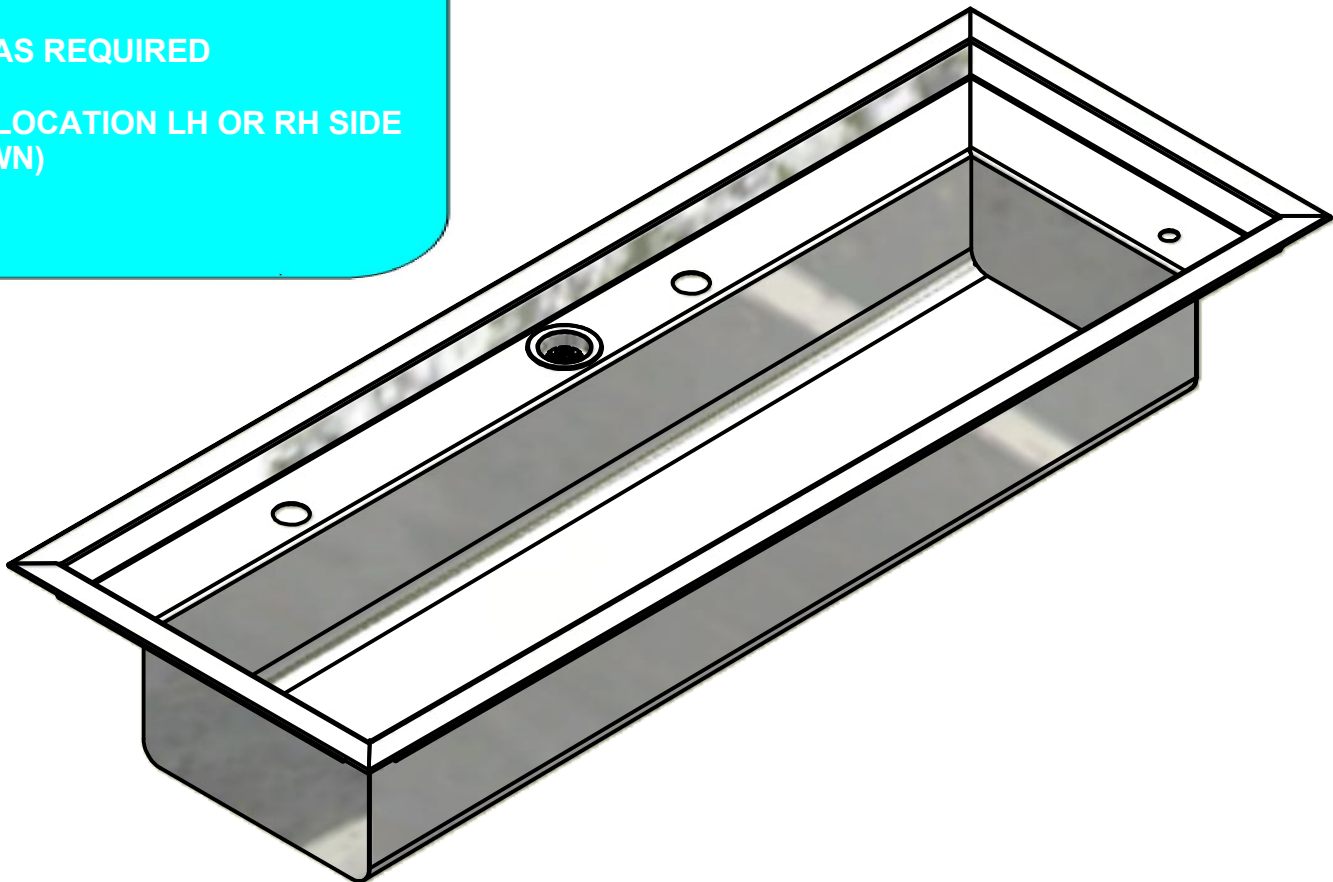
(SINCE 1962)

MATERIAL - GRADE 304 STAINLESS STEEL

ACTIVITY TROUGH

OPTIONS

- * END OR CENTRE OUTLET
- * TAP HOLES AS REQUIRED
- * LENGTH AS REQUIRED
- * BUBLER LOCATION LH OR RH SIDE (RH SHOWN)



* **TYPICAL USE**
-- PRACTICAL ACTIVITIES - ART / CRAFT

* **SCHOOLS , PRE-SCHOOLS**

**DATA
SHEET**

ITEM: PRACTICAL ACTIVITY TROUGH

CODE: PA-3

DATE:

AUGUST - 2009

REV:

A

PAGE No:

XX

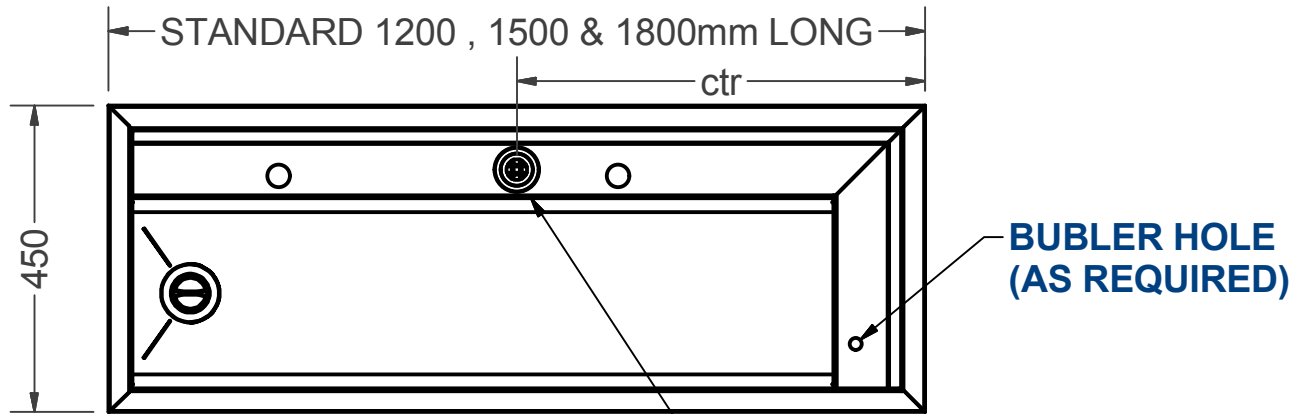
STAINLESS METAL CRAFT

6 BROMLEY ROAD EMU PLAINS 2750
 PHONE: (02) 4735 5666 FAX: (02) 4735 7950
 E-MAIL info@smcstainless.com.au
www.smcstainless.com.au

THE STAINLESS STEEL PEOPLE

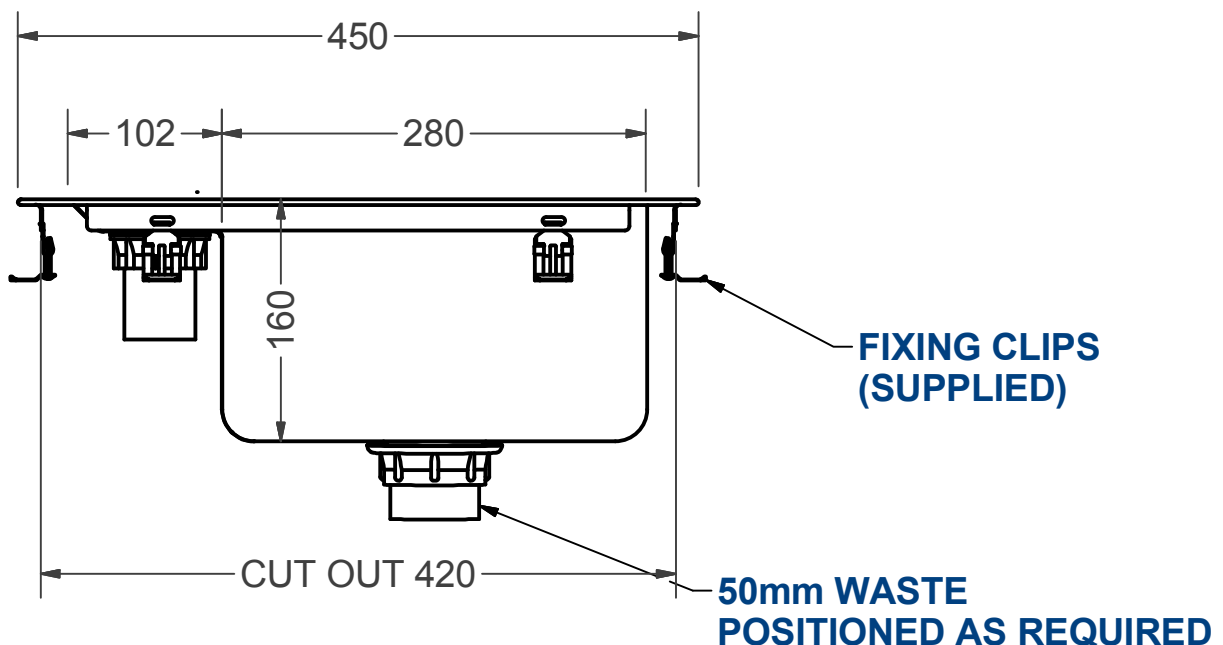
(SINCE 1962)

MATERIAL - GRADE 304 STAINLESS STEEL



CUT OUT FOR 1800 LONG = 1770
 1500 LONG = 1470
 1200 LONG = 1170

Ø38mm PLUG & WASTE
 AS OVERFLOW OUTLET



FIXING CLIPS
 (SUPPLIED)

50mm WASTE
 POSITIONED AS REQUIRED

**SPECIFICATIONS -
 STAINLESS STEEL PRACTICAL ACTIVITY TROUGH
 SHALL BE MODEL PA-3 FROM
 STAINLESS METAL CRAFT
 PHONE: 02 4735 5666**

**DATA
 SHEET**

ITEM: PRACTICAL ACTIVITY TROUGH

CODE: PA-3

DATE:

AUGUST - 2009

REV:

A

PAGE No:

XX