

# STAINLESS METAL CRAFT

6 BROMLEY ROAD EMU PLAINS 2750  
PHONE: (02) 4735 5666 FAX: (02) 4735 7950  
E-MAIL [info@smcstainless.com.au](mailto:info@smcstainless.com.au)  
[www.smcstainless.com.au](http://www.smcstainless.com.au)

THE STAINLESS STEEL PEOPLE

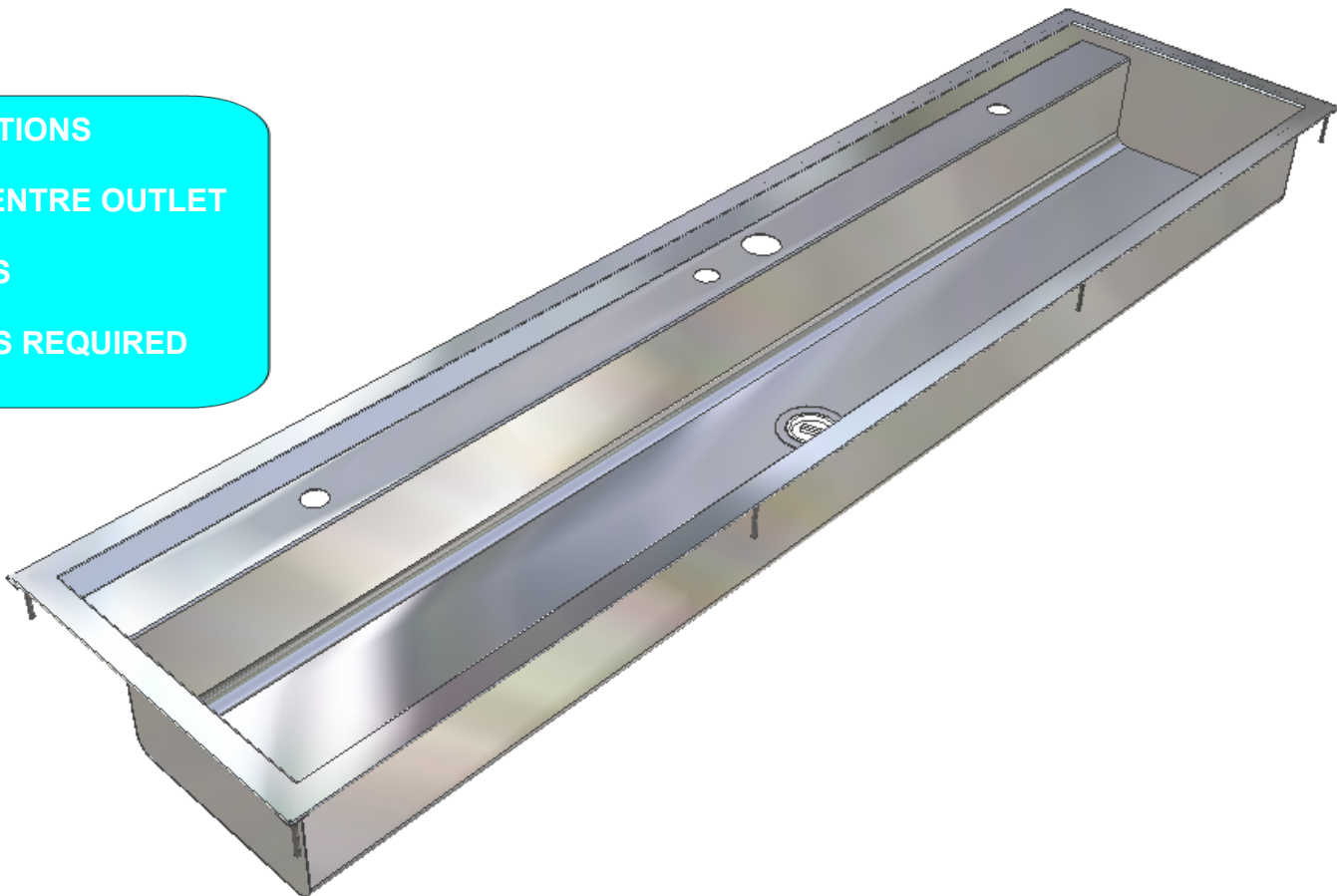
(SINCE 1962)

MATERIAL - GRADE 304 STAINLESS STEEL

## ACTIVITY TROUGH

### OPTIONS

- \* END OR CENTRE OUTLET
- \* TAP HOLES
- \* LENGTH AS REQUIRED



\* TYPICAL USE  
-- PRACTICAL ACTIVITIES - ART / CRAFT

\* SCHOOLS , PRE-SCHOOLS

**DATA  
SHEET**

**ITEM: PRACTICAL ACTIVITY TROUGH**

**CODE: PAT-1**

**DATE:**

**APRIL - 2003**

**REV:**

**C**

**PAGE No:**

**77**

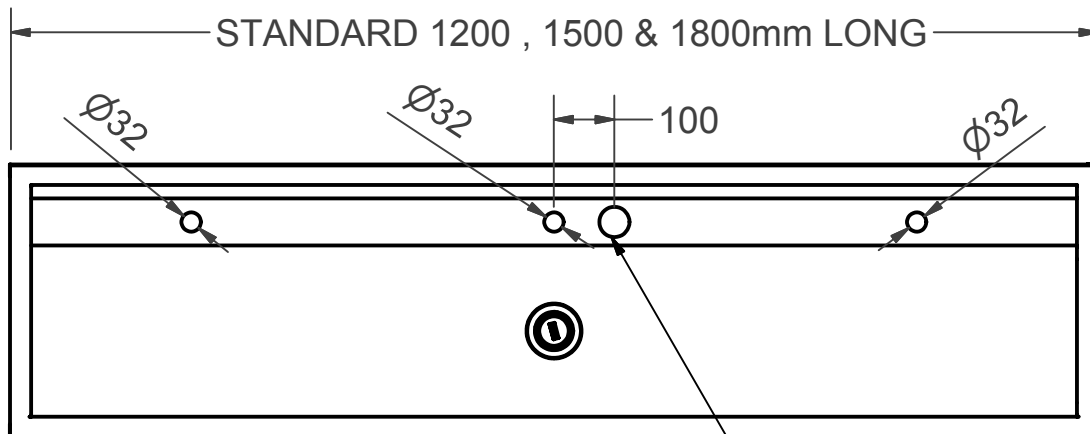
# STAINLESS METAL CRAFT

6 BROMLEY ROAD EMU PLAINS 2750  
 PHONE: (02) 4735 5666 FAX: (02) 4735 7950  
 E-MAIL [info@smcstainless.com.au](mailto:info@smcstainless.com.au)  
[www.smcstainless.com.au](http://www.smcstainless.com.au)

THE STAINLESS STEEL PEOPLE

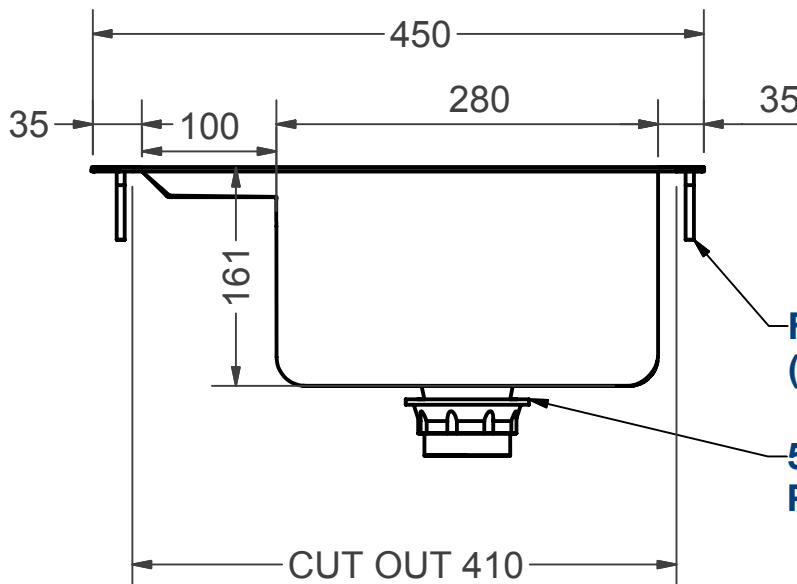
(SINCE 1962)

MATERIAL - GRADE 304 STAINLESS STEEL



CUT OUT FOR 1800 LONG = 1760  
 1500 LONG = 1460  
 1200 LONG = 1160

$\varnothing 38$ mm PLUG & WASTE  
 AS OVERFLOW OUTLET



FIXING STUDS  
 (M6 x 50mm)

50mm WASTE  
 POSITIONED AS REQUIRED

**SPECIFICATIONS -**  
**STAINLESS STEEL PRACTICAL ACTIVITY TROUGH**  
**SHALL BE MODEL PAT-1 FROM**  
**STAINLESS METAL CRAFT**  
**PHONE: 02 4735 5666**

**DATA SHEET**

**ITEM: PRACTICAL ACTIVITY TROUGH**

**CODE: PAT-1**

DATE:

APRIL - 2003

REV:

C

PAGE No:

77