

STAINLESS METAL CRAFT

6 BROMLEY ROAD EMU PLAINS 2750
PHONE: (02) 4735 5666 FAX: (02) 4735 7950
E-MAIL info@smcstainless.com.au
www.smcstainless.com.au

THE STAINLESS STEEL PEOPLE

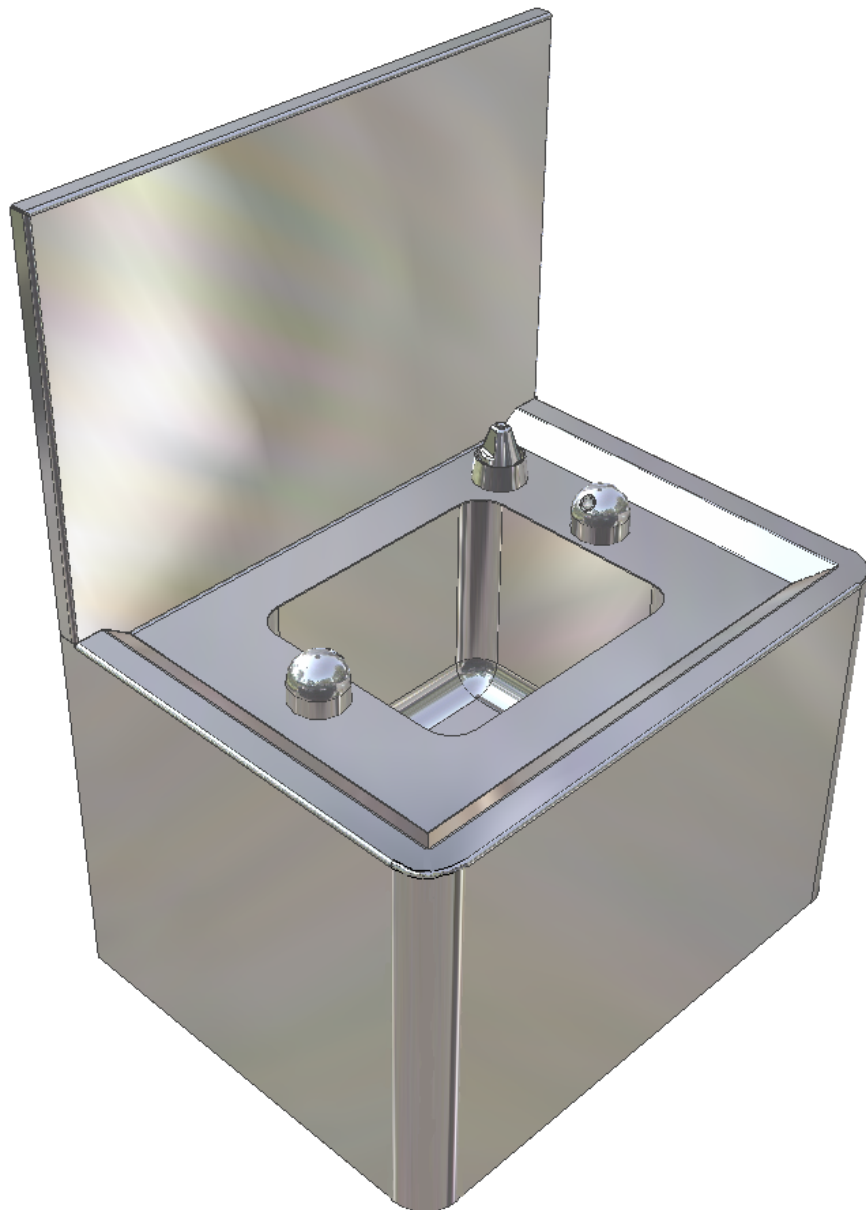
(SINCE 1962)

MATERIAL - GRADE 304 STAINLESS STEEL

EYE WASH

OPTIONS

* SPLASHBACK TO SIDES



* TYPICAL USE :

- LOW MAINTENANCE WITH SUPERIOR VANDAL RESISTANCE
- POLICE STATIONS, GAOLS, JUVENILE JUSTICE CENTRES, COURT HOUSES.

**DATA
SHEET**

ITEM: POLICE STATION EYE WASH

CODE: PBC-EW3

DATE:

MARCH - 2003

REV:

C

PAGE No:

189

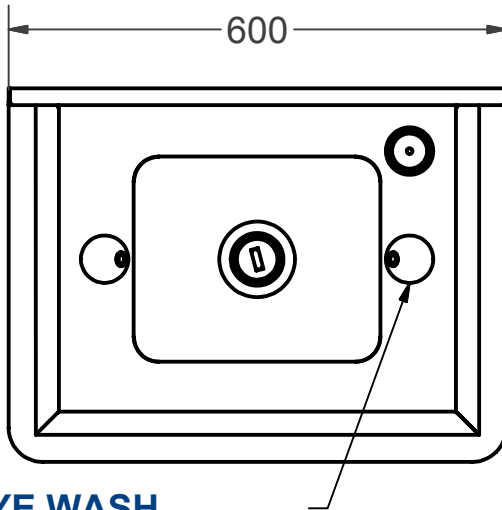
STAINLESS METAL CRAFT

6 BROMLEY ROAD EMU PLAINS 2750
 PHONE: (02) 4735 5666 FAX: (02) 4735 7950
 E-MAIL info@smcstainless.com.au
www.smcstainless.com.au

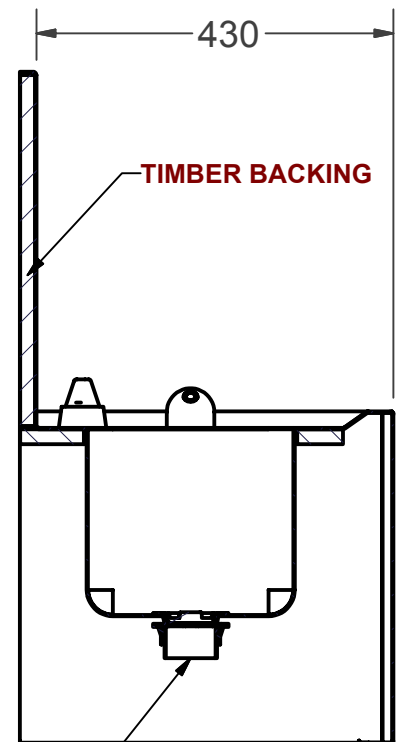
THE STAINLESS STEEL PEOPLE

(SINCE 1962)

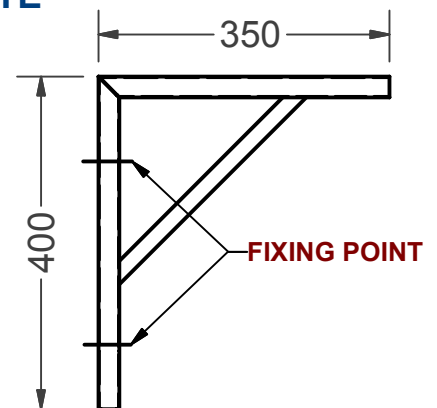
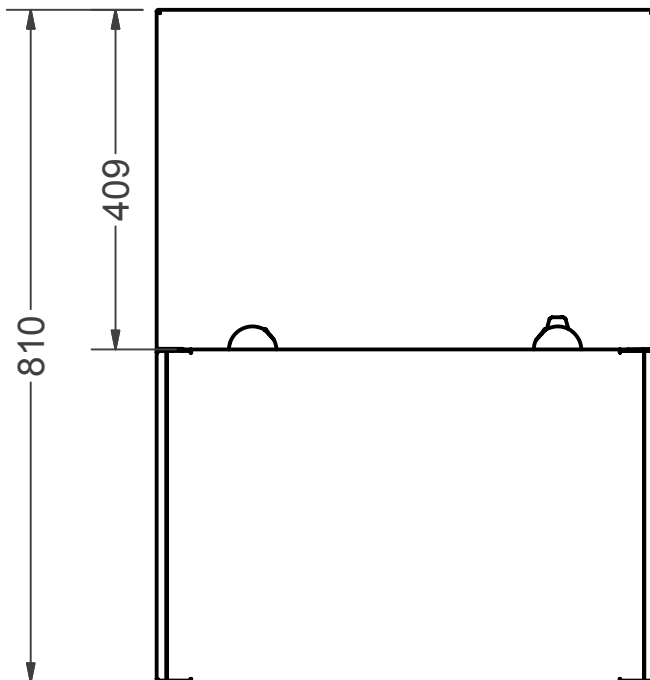
MATERIAL - GRADE 304 STAINLESS STEEL
 BOWL 1.6mm THICK
 BODY 2mm THICK



ENWARE EYE WASH
 FITTINGS - EE230 PLUMBED
 FOR A SINGLE CONNECTION



50mm WASTE



SPECIFICATIONS -
STAINLESS STEEL SECURITY WASH BASIN
SHALL BE MODEL PBC-EW3 FROM
STAINLESS METAL CRAFT
PHONE: 02 4735 5666

BASIN TO INSTALLED AT 940mm
FROM FINISHED FLOOR LEVEL

DATA SHEET

ITEM: POLICE STATION EYE WASH

CODE: PBC-EW3

DATE:

MARCH - 2003

REV:

C

PAGE No:

189